



X790 Series

User's Guide

November 2012

www.lexmark.com

Machine type(s):

7562, 4917

Model(s):

432, 436, dn1, dn2, gd1, gd2, dt1, dt2, gt1, gt2, df1, df2, gf1, gf2, d01, d02, g01, g02, t01, t02, g91, g92, f01, f02, g81, g82

Contents

- Safety information.....7**
- Learning about the printer.....9**
 - Finding information about the printer.....9
 - Selecting a location for the printer.....10
 - Printer configurations.....11
 - Basic functions of the scanner.....12
 - Understanding the ADF and scanner glass.....13
 - Understanding the printer control panel.....14
- Understanding the home screen.....15**
 - Understanding the home screen.....15
 - Using the touch-screen buttons.....16
- Setting up and using the home screen applications.....20**
 - Finding the IP address of the printer.....20
 - Accessing the Embedded Web Server.....20
 - Exporting and importing a configuration using the Embedded Web Server.....21
 - Activating the home screen applications.....22
 - Setting up Forms and Favorites22
 - Setting up Scan to Network22
 - Setting up My MFP23
 - Understanding WS-Scan23
 - Setting up Remote Operator Panel.....23
- Additional printer setup.....25**
 - Installing internal options.....25
 - Order of installation.....44
 - Installing optional trays.....45
 - Attaching cables.....46
 - Verifying printer setup.....47
 - Setting up the printer software.....48
 - Setting up wireless printing.....50
 - Installing the printer on an Ethernet network.....55
 - Changing port settings after installing a new network Internal Solutions Port.....58
 - Setting up serial printing.....59

| | |
|--|------------|
| Minimizing your printer's environmental impact..... | 62 |
| Saving paper and toner..... | 62 |
| Saving energy..... | 63 |
| Recycling..... | 66 |
| Loading paper and specialty media..... | 68 |
| Setting the paper size and type..... | 68 |
| Configuring Universal paper settings..... | 68 |
| Loading the standard or optional 550-sheet tray..... | 69 |
| Loading the 2000-sheet high-capacity feeder..... | 72 |
| Loading the multipurpose feeder..... | 74 |
| Linking and unlinking trays..... | 76 |
| Paper and specialty media guidelines..... | 79 |
| Paper guidelines..... | 79 |
| Supported paper sizes, types, and weights..... | 82 |
| Printing..... | 87 |
| Printing a document..... | 87 |
| Printing from a flash drive..... | 88 |
| Printing on specialty media..... | 90 |
| Printing confidential and other held jobs..... | 92 |
| Printing information pages..... | 94 |
| Canceling a print job..... | 94 |
| Copying..... | 96 |
| Making copies..... | 96 |
| Copying film photos..... | 97 |
| Copying on specialty media..... | 97 |
| Customizing copy settings..... | 98 |
| Placing information on copies..... | 103 |
| Canceling a copy job..... | 103 |
| Understanding the copy screens and options..... | 104 |
| E-mailing..... | 108 |
| Getting ready to e-mail..... | 108 |
| Creating an e-mail shortcut..... | 109 |

E-mailing a document.....110
Customizing e-mail settings.....111
Canceling an e-mail.....112
Understanding e-mail options.....112

Faxing.....115

Getting the printer ready to fax.....115
Creating shortcuts.....120
Sending a fax.....121
Customizing fax settings.....123
Canceling an outgoing fax.....124
Understanding fax options.....125
Holding and forwarding faxes.....127

Scanning to an FTP address.....129

Scanning to an FTP address.....129
Creating shortcuts.....130
Understanding FTP options.....131

Scanning to a computer or flash drive.....134

Scanning to a computer.....134
Scanning to a flash drive.....135
Using the ScanBack Utility.....135
Understanding scan profile options.....136

Understanding printer menus.....138

Menus list.....138
Supplies menu.....139
Paper menu.....141
Reports menu.....153
Network/Ports menu.....154
Security menu.....167
Settings menu.....172
Help menu.....229

Securing the memory before moving the printer.....230

Statement of Volatility.....230
Erasing volatile memory.....230

| | |
|--|------------|
| Erasing non-volatile memory..... | 231 |
| Erasing printer hard disk memory..... | 231 |
| Configuring printer hard disk encryption..... | 232 |
| Maintaining the printer..... | 233 |
| Cleaning the exterior of the printer..... | 233 |
| Cleaning the scanner glass..... | 233 |
| Cleaning the ADF parts..... | 234 |
| Cleaning the printhead lenses..... | 236 |
| Storing supplies..... | 237 |
| Checking the status of supplies..... | 237 |
| Ordering supplies..... | 238 |
| Replacing supplies..... | 240 |
| Moving the printer..... | 244 |
| Administrative support..... | 246 |
| Finding advanced networking and administrator information..... | 246 |
| Using the Embedded Web Server..... | 246 |
| Checking the virtual display..... | 246 |
| Checking the status of the printer..... | 246 |
| Setting up e-mail alerts..... | 247 |
| Viewing reports..... | 247 |
| Restoring factory default settings..... | 248 |
| Clearing jams..... | 249 |
| Avoiding jams..... | 249 |
| Understanding jam numbers and locations..... | 249 |
| 200 paper jam..... | 251 |
| 201 paper jam..... | 251 |
| 202–203 paper jams..... | 252 |
| 230 paper jam..... | 253 |
| 231–239 paper jams..... | 254 |
| 24x paper jam..... | 254 |
| 250 paper jam..... | 255 |
| 280–289 paper jams..... | 256 |
| 290–292 paper jams..... | 257 |
| 400–403 and 460–461 paper jams..... | 257 |

431–438 paper jams.....258
 455 staple jam.....258

Troubleshooting.....261

Solving basic printer problems.....261
 Understanding printer messages.....261
 Solving printing problems.....278
 Solving copy problems.....281
 Solving scanner problems.....284
 Solving fax problems.....286
 Solving home screen applications problems.....290
 Solving option problems.....291
 Solving paper feed problems.....294
 Solving print quality problems.....295
 Solving color quality problems.....308
 Embedded Web Server does not open.....311
 Contacting customer support.....311

Notices.....312


Product information.....312
 Edition notice.....312
 Power consumption.....317

Index.....328


Safety information


Connect the power cord to a properly grounded electrical outlet that is near the product and easily accessible.


Do not place or use this product near water or wet locations.


 **CAUTION—POTENTIAL INJURY:** This product uses a laser. Use of controls or adjustments or performance of procedures other than those specified herein may result in hazardous radiation exposure.

This product uses a printing process that heats the print media, and the heat may cause the media to release emissions. You must understand the section in your operating instructions that discusses the guidelines for selecting print media to avoid the possibility of harmful emissions.

 **CAUTION—POTENTIAL INJURY:** The lithium battery in this product is not intended to be replaced. There is a danger of explosion if a lithium battery is incorrectly replaced. Do not recharge, disassemble, or incinerate a lithium battery. Discard used lithium batteries according to the manufacturer's instructions and local regulations.

 **CAUTION—HOT SURFACE:** The inside of the printer might be hot. To reduce the risk of injury from a hot component, allow the surface to cool before touching.


 **CAUTION—POTENTIAL INJURY:** The printer weight is greater than 18 kg (40 lb) and requires two or more trained personnel to lift it safely.


 **CAUTION—POTENTIAL INJURY:** Before moving the printer, follow these guidelines to avoid personal injury or printer damage:

- Turn the printer off using the power switch, and then unplug the power cord from the wall outlet.
- Disconnect all cords and cables from the printer before moving it.
- Lift the printer off the optional drawer, and set it aside instead of trying to lift the drawer and printer at the same time.


Note: Use the handholds located on both sides of the printer to lift it off the optional drawer.

Use only the power cord provided with this product or the manufacturer's authorized replacement.


 **CAUTION—POTENTIAL INJURY:** To reduce risk of fire, use only the telecommunications (RJ-11) cord provided with this product or a UL Listed 26 AWG or larger replacement when connecting this product to the public switched telephone network.

 **CAUTION—SHOCK HAZARD:** If you are accessing the system board or installing optional hardware or memory devices sometime after setting up the printer, then turn the printer off, and unplug the power cord from the wall outlet before continuing. If you have any other devices attached to the printer, then turn them off as well, and unplug any cables going into the printer.


Do not use the telephone to report a gas leak in the vicinity of the leak.


 **CAUTION—SHOCK HAZARD:** Make sure that all external connections (such as Ethernet and telephone system connections) are properly installed in their marked plug-in ports.


This product is designed, tested, and approved to meet strict global safety standards with the use of specific manufacturer's components. The safety features of some parts may not always be obvious. The manufacturer is not responsible for the use of other replacement parts.


 **CAUTION—POTENTIAL INJURY:** Do not cut, twist, bind, crush, or place heavy objects on the power cord. Do not subject the power cord to abrasion or stress. Do not pinch the power cord between objects such as furniture and walls. If any of these things happen, a risk of fire or electrical shock results. Inspect the power cord regularly for signs of such problems. Remove the power cord from the electrical outlet before inspecting it.

Refer service or repairs, other than those described in the user documentation, to a professional service person.

 **CAUTION—SHOCK HAZARD:** To avoid the risk of electric shock when cleaning the exterior of the printer, unplug the power cord from the wall outlet and disconnect all cables from the printer before proceeding.

 **CAUTION—SHOCK HAZARD:** Do not use the fax feature during a lightning storm. Do not set up this product or make any electrical or cabling connections, such as the fax feature, power cord, or telephone, during a lightning storm.


 **CAUTION—TIPPING HAZARD:** Floor-mounted configurations require additional furniture for stability. You must use either a printer stand or printer base if you are using a high-capacity input tray, a duplex unit and an input option, or more than one input option. If you purchased a multifunction printer (MFP) that scans, copies, and faxes, you may need additional furniture. For more information, see www.lexmark.com/multifunctionprinters.

 **CAUTION—POTENTIAL INJURY:** To reduce the risk of equipment instability, load each paper drawer or tray separately. Keep all other drawers or trays closed until needed.

SAVE THESE INSTRUCTIONS.

Learning about the printer

Finding information about the printer

| What are you looking for? | Find it here |
|--|--|
| <p>Initial setup instructions:</p> <ul style="list-style-type: none"> • Connecting the printer • Installing the printer software | <p>Setup documentation—The setup documentation came with the printer and is also available on the Lexmark Web site at http://support.lexmark.com.</p> |
| <p>Additional setup and instructions for using the printer:</p> <ul style="list-style-type: none"> • Selecting and storing paper and specialty media • Loading paper • Configuring printer settings • Viewing and printing documents and photos • Setting up and using the printer software • Configuring the printer on a network • Caring for and maintaining the printer • Troubleshooting and solving problems | <p><i>User's Guide</i> and <i>Quick Reference Guide</i>—The guides are available on the <i>Software and Documentation</i> CD. For updates, visit our Web site at http://support.lexmark.com.</p> |
| <p>Instructions for:</p> <ul style="list-style-type: none"> • Connecting the printer to an Ethernet network • Troubleshooting printer connection problems | <p><i>Networking Guide</i>—Open the <i>Software and Documentation</i> CD, and then look for <i>Printer and Software Documentation</i> under the Pubs folder. From the list of publications, click the Networking Guide link.</p> |
| <p>Help using the printer software</p> | <p>Windows or Mac Help—Open a printer software program or application, and then click Help.</p> <p>Click  to view context-sensitive information.</p> <p>Notes:</p> <ul style="list-style-type: none"> • Help is automatically installed with the printer software. • The printer software is located in the printer program folder or on the desktop, depending on your operating system. |

| What are you looking for? | Find it here |
|--|---|
| <p>The latest supplemental information, updates, and customer support:</p> <ul style="list-style-type: none"> • Documentation • Driver downloads • Live chat support • E-mail support • Voice support | <p>Lexmark Support Web site— http://support.lexmark.com</p> <p>Note: Select your country or region, and then select your product to view the appropriate support site.</p> <p>Support telephone numbers and hours of operation for your country or region can be found on the Support Web site or on the printed warranty that came with your printer.</p> <p>Record the following information (located on the store receipt and at the back of the printer), and have it ready when you contact customer support so that they may serve you faster:</p> <ul style="list-style-type: none"> • Machine Type number • Serial number • Date purchased • Store where purchased |
| <p>Warranty information</p> | <p>Warranty information varies by country or region:</p> <ul style="list-style-type: none"> • In the US—See the Statement of Limited Warranty included with this printer, or at http://support.lexmark.com. • In other countries and regions—See the printed warranty that came with your printer. |

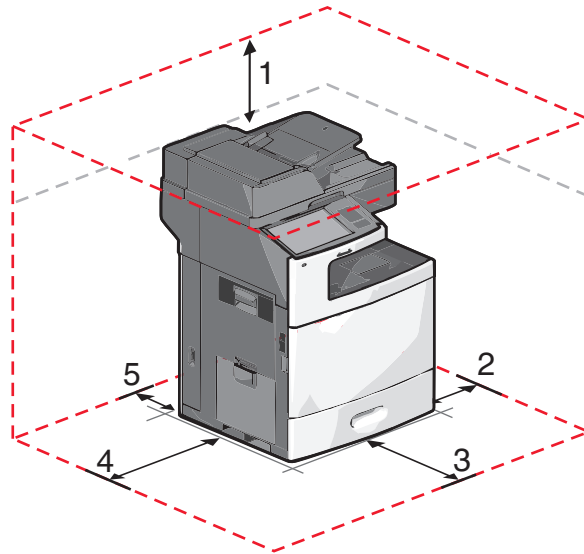
Selecting a location for the printer



CAUTION—POTENTIAL INJURY: The printer weight is greater than 18 kg (40 lb) and requires two or more trained personnel to lift it safely.

When selecting a location for the printer, leave enough room to open trays, covers, and doors. If you plan to install any options, leave enough room for them, too. It is important to:

- Make sure airflow in the room meets the latest revision of the ASHRAE 62 standard or the CEN Technical Committee 156 standard.
- Provide a flat, sturdy, and stable surface.
- Keep the printer:
 - Away from the direct airflow of air conditioners, heaters, or ventilators
 - Free from direct sunlight, humidity extremes, or temperature fluctuations
 - Clean, dry, and free of dust
- Allow the following recommended amount of space around the printer for proper ventilation:

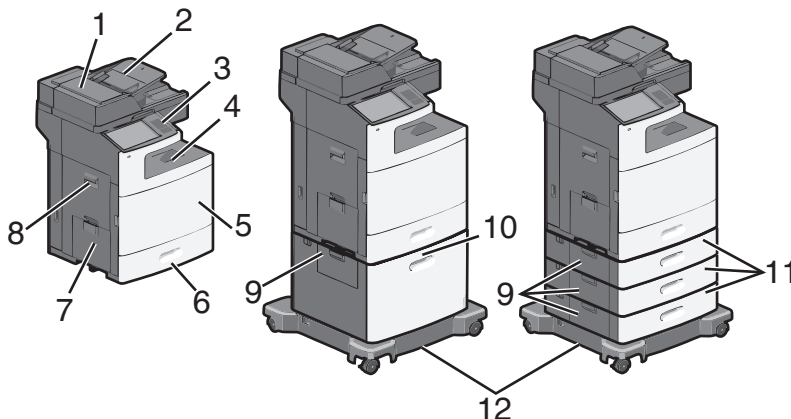


| | |
|---|-------------------|
| 1 | 458 mm (18 in.) |
| 2 | 100 mm (3.9 in.) |
| 3 | 380 mm (14.9 in.) |
| 4 | 432 mm (17 in.) |
| 5 | 150 mm (5.9 in.) |

Printer configurations

CAUTION—TIPPING HAZARD: Floor-mounted configurations require additional furniture for stability. You must use either a printer stand or printer base if you are using a high-capacity input tray, a duplex unit and an input option, or more than one input option. If you purchased a multifunction printer (MFP) that scans, copies, and faxes, you may need additional furniture. For more information, see www.lexmark.com/multifunctionprinters.

You can configure your basic printer by adding optional trays.



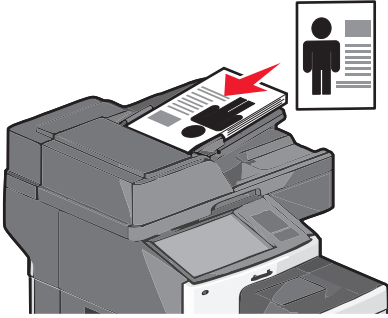
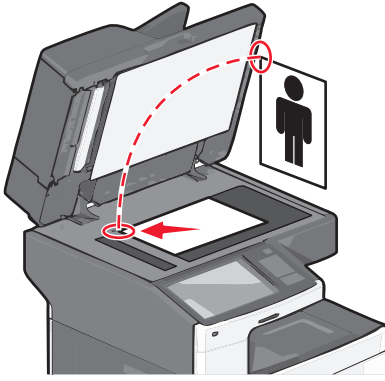
| | |
|----|---|
| 1 | Automatic Document Feeder (ADF) |
| 2 | ADF input tray |
| 3 | Printer control panel |
| 4 | Standard exit bin |
| 5 | Front door |
| 6 | Standard 550-sheet trays (Tray 1) |
| 7 | Multipurpose feeder |
| 8 | Side door |
| 9 | Jam access doors |
| 10 | Optional 2,000-sheet high-capacity feeder |
| 11 | Optional 550-sheet trays |
| 12 | Caster base |

Basic functions of the scanner

The scanner provides copy, fax, and scan-to-network capability for large workgroups. You can:

- Make quick copies, or change the settings on the printer control panel to perform specific copy jobs.
- Send a fax using the printer control panel.
- Send a fax to multiple fax destinations at the same time.
- Scan documents and send them to your computer, an e-mail address, a flash drive, or an FTP destination.
- Scan documents and send them to another printer (PDF by way of FTP).

Understanding the ADF and scanner glass

| Automatic Document Feeder (ADF) | Scanner glass |
|--|---|
|  <p>Use the ADF for multiple pages, including duplex pages.</p> |  <p>Use the scanner glass for single pages or book pages, small items (such as postcards or photos), transparencies, photo paper, or thin media (such as magazine clippings or lightweight carbonless forms).</p> |

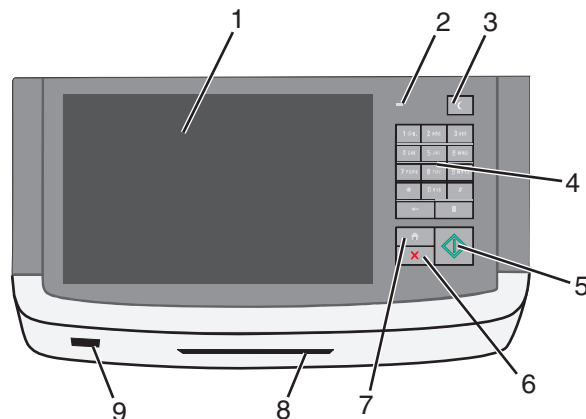
Using the ADF

- Load the document into the ADF faceup, short edge first.
- Load up to 75 sheets of plain paper in the ADF input tray.
- Scan sizes from 76 x 139 mm (3.0 x 5.5 in.) to 215 x 355 mm (8.5 x 14 in.).
- Scan documents with mixed page sizes (letter and legal).
- Scan media weights from 52 to 120 g/m² (14 to 32 lb).
- Do not load postcards, photos, small items, transparencies, photo paper, or thin media (such as magazine clippings) into the ADF. Place these items on the scanner glass.

Using the scanner glass

- Place a document facedown on the scanner glass in the upper left corner.
- Scan or copy documents up to 215 x 355 mm (8.5 x 14 in.).
- Copy books up to 25 mm (1 in.) thick.

Understanding the printer control panel



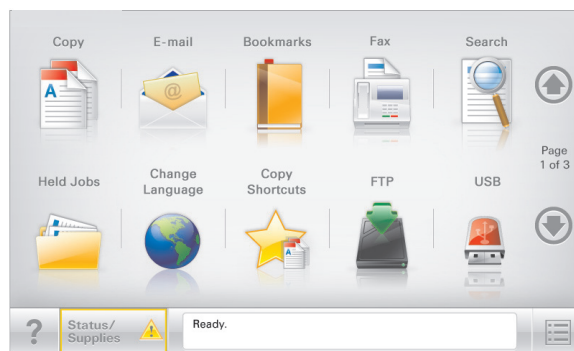
| Item | Description | |
|------|-----------------|--|
| 1 | Display | Lets you view scanning, copying, faxing, and printing options as well as status and error messages |
| 2 | Indicator light | <ul style="list-style-type: none"> • Off—The power is off. • Blinking green—The printer is warming up, processing data, or printing. • Solid green—The printer is on, but idle. • Blinking red—Operator intervention is needed. |
| 3 | Sleep | <p>Activates Sleep Mode or Hibernate Mode</p> <p>The following are the statuses of the indicator light and the Sleep button:</p> <ul style="list-style-type: none"> • Entering or waking from Sleep Mode—The indicator light is illuminated solid green, Sleep button is unilluminated. • Operating in Sleep Mode—The indicator light is illuminated solid green, Sleep button is illuminated solid amber. • Entering or waking from Hibernate Mode—The indicator light is illuminated solid green, Sleep button is illuminated blinking amber. • Operating in Hibernate Mode—The indicator light is unilluminated, Sleep button is blinking amber in pulsing pattern. |
| 4 | Keypad | Lets you enter numbers, letters, or symbols on the display |
| 5 | Submit | Lets you submit changes made in the printer settings |
| 6 | Stop/Cancel | <p>Stops all printer activity</p> <p>Note: A list of option is displayed once Stopped appears on the display.</p> |
| 7 | Home | Lets you navigate back to the home screen |
| 8 | Card reader | <p>Limits the use of certain printer functions to authenticated users</p> <p>Note: The card reader may not be available on all printer models.</p> |
| 9 | USB port | Lets you insert a USB flash drive to send data or to save scanned images |


Understanding the home screen

Understanding the home screen

When the printer is turned on, the display shows a basic screen, referred to as the home screen. Touch the home screen buttons and icons to initiate an action such as copying, faxing, or scanning; to open the menu screen; or to respond to messages.

Note: Your home screen, icons, and buttons may vary depending on your home screen customization settings, administrative setup, and active embedded solutions.



| Touch | To |
|---|---|
| Copy | Access the Copy menus and make copies. |
| E-mail | Access the E-mail menus and send e-mails. |
| Fax | Access the Fax menus and send fax. |
|  | Access the printer menus. Note: These menus are available only when the printer is in the Ready state. |
| FTP | Access the File Transfer Protocol (FTP) menus and scan documents directly to an FTP server. |
| Status message bar | <ul style="list-style-type: none"> • Show the current printer status such as Ready or Busy. • Show printer conditions such as Toner Low or Cartridge Low. • Show intervention messages so the printer can continue processing. |
| Status/Supplies | <ul style="list-style-type: none"> • Display a warning or error message whenever the printer requires intervention to continue processing. • Access the messages screen for more information on the message, and how to clear it. |
| USB or USB Thumbdrive | View, select, print, scan, or e-mail photos and documents from a flash drive. Note: This button appears only when you return to the home screen while a memory card or flash drive is connected to the printer. |
| Bookmarks | Create, organize, and save a set of bookmarks (URL) into a tree view of folders and file links. Note: The tree view supports only bookmarks created from this function, and not from any other application. |
| Held Jobs | Display all current held jobs. |

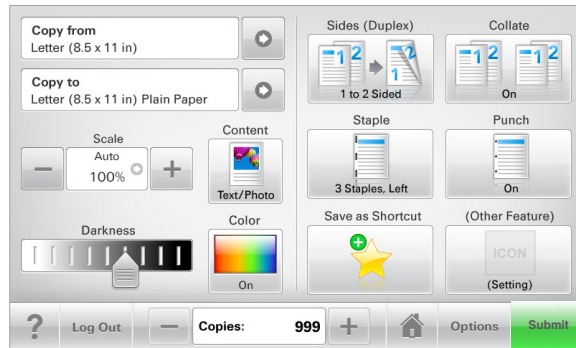
Other buttons that may appear on the home screen:







| Touch | To |
|------------------|--|
| Search held jobs | Search on any of the following items: <ul style="list-style-type: none"> • User name for held or confidential print jobs • Job names for held jobs, excluding confidential print jobs • Profile names • Bookmark container or print job names • USB container or print job names for supported file types |
| Release Held Fax | Access the list of held faxes. Note: This button appears only when there are held faxes with a scheduled hold time previously set. |
| Lock Device | Open a password entry screen. Enter the correct password to lock the printer control panel. Note: This button appears only when the printer is unlocked and password has been set. |
| Unlock Device | Open a password entry screen. Enter the correct password to unlock the printer control panel. Note: This button appears only when the printer is locked. The printer control panel buttons and shortcuts cannot be used while this appears. |
| Cancel Jobs | Open the Cancel Jobs screen. The Cancel Jobs screen shows three headings: Print, Fax, and Network. The following options are available under the Print, Fax, and Network headings: <ul style="list-style-type: none"> • Print job • Copy job • Fax profile • FTP • E-mail send Each heading has a list of jobs shown in a column under it which can show only three jobs per screen. If more than three jobs exist in a column, then an arrow appears enabling you to scroll through the jobs. |
| Change Language | Launch the Change Language pop-up window that allows you to change the primary language of the printer. |


Using the touch-screen buttons

Note: Your home screen, icons, and buttons may vary depending on your home screen customization settings and administrative setup.





Sample touch screen




| Touch | To |
|---|--|
| Submit | Submit changes made in the printer settings. |
| Sample Copy | Print a sample copy. |
| Right arrow  | Scroll to the right. |
| Left arrow  | Scroll to the left. |
| Home  | Return to the home screen. |
| Right increase  | Select a higher value. |
| Left decrease  | Select a lower value. |
| Exit  | Exit from the current screen. |


| Touch | To |
|---|---|
| Tips  | Open a context-sensitive Help dialog on the touch screen. |

Other touch-screen buttons

| Touch | To |
|---|--|
| Accept  | Save a setting. |
| Cancel  | <ul style="list-style-type: none"> • Cancel an action or a selection. • Exit a screen and lets you return to the previous screen without saving changes. |
| Reset  | Reset values on the screen. |
| Radio button  | Select or clear an item. |

Features

| Feature | Description |
|---|--|
| Menu trail line: Menus > Settings > Copy Settings > Number of Copies | A menu trail line is located at the top of each menu screen. This feature shows the path taken to arrive at the current menu. Touch any of the underlined words to return to that menu. Number of Copies is not underlined since this is the current screen. If you touch an underlined word on the Number of Copies screen before the Number of Copies is set and saved, then the selection is not saved, and it does not become the default setting. |
| Attendance message alert  | If an attendance message affects a function, then this icon appears and the red indicator light blinks. |

| Feature | Description |
|--|---|
| Warning  | If an error condition occurs, then this icon appears. |

Setting up and using the home screen applications

Notes:

- Your home screen, icons, and buttons may vary depending on your home screen customization settings, administrative setup, and active embedded applications. Some applications are supported only on select printer models.
- There may be additional solutions and applications available for purchase.

Finding the IP address of the printer

Note: Make sure your printer is connected to a network or to a print server.

You can find the printer IP address:

- From the top left corner of the printer home screen.
- From the TCP/IP section in the Network/Ports menu.
- By printing a network setup page or menu settings page, and then finding the TCP/IP section.

Note: An IP address appears as four sets of numbers separated by periods, such as 123.123.123.123.

Accessing the Embedded Web Server

The Embedded Web Server is the printer Web page that lets you view and remotely configure printer settings even when you are not physically near the printer.

1 Obtain the printer IP address:

- From the printer control panel home screen
- From the TCP/IP section in the Network/Ports menu
- By printing a network setup page or menu settings page, and then finding the TCP/IP section

Note: An IP address appears as four sets of numbers separated by periods, such as 123 . 123 . 123 . 123.

2 Open a Web browser, and then type the printer IP address in the address field.

3 Press **Enter**.

Note: If you are using a proxy server, then temporarily disable it to load the Web page correctly.

Showing or hiding icons on the home screen

1 From the Embedded Web Server, click **Settings > General Settings > Home screen customization**.

A list of basic printer functions appears.

2 Select the check boxes to specify which icons appear on the printer home screen.

Cleared check box items are hidden.

3 Click **Submit**.

Exporting and importing a configuration using the Embedded Web Server

You can export configuration settings into a text file that can then be imported and used to apply the settings to one or more additional printers.

Exporting a configuration

- 1 From the Embedded Web Server, click **Settings** or **Configuration**.
- 2 Click **Device Solutions > Solutions (eSF)**, or click **Embedded Solutions**.
- 3 From Installed Solutions, click the name of the application you want to configure.
- 4 Click **Configure > Export**.
- 5 Follow the instructions on the computer screen to save the configuration file, and then enter a unique file name or use the default name.

Note: If a **JVM Out of Memory** error occurs, then repeat the export until the configuration file is saved.

Importing a configuration

- 1 From the Embedded Web Server, click **Settings** or **Configuration**.
- 2 Click **Device Solutions > Solutions (eSF)**, or click **Embedded Solutions**.
- 3 From Installed Solutions, click the name of the application you want to configure.
- 4 Click **Configure > Import**.
- 5 Browse to the saved configuration file, and then load or preview it.


Note: If a timeout occurs and a blank screen appears, then refresh the browser, and then click **Apply**.

Activating the home screen applications

Your printer comes with preinstalled home screen applications. To use these applications, activate and set up these applications using the Embedded Web Server. For more information about accessing the Embedded Web Server, see “Accessing the Embedded Web Server” on page 20.

For detailed information about configuring and using the home screen applications, visit the Lexmark Web site at <http://support.lexmark.com>.

Setting up Forms and Favorites

| Icon | Description |
|---|---|
|  | <p>The application helps you simplify and streamline work processes by letting you quickly find and print frequently used online forms directly from the home screen.</p> <p>Note: The printer must have permission to access the network folder, FTP site, or Web site where the bookmark is stored. From the computer where the bookmark is stored, use sharing, security, and firewall settings to allow the printer at least a <i>read</i> access. For help, see the documentation that came with your operating system.</p> |


- 1 Open a Web browser, and then type the printer IP address in the address field.

Note: View the printer IP address on the printer control panel home screen. The IP address appears as four sets of numbers separated by periods, such as 123.123.123.123.

- 2 Click **Settings > Device Solutions > Solutions (eSF) > Forms and Favorites**.
- 3 Define the bookmarks, and then customize the settings.
- 4 Click **Apply**.

To use the application, touch **Forms and Favorites** on the printer home screen, and then navigate through form categories, or search for forms based on a form number, name, or description.

Setting up Scan to Network

| Icon | Description |
|---|--|
|  | <p>The application lets you capture a digital image of a hard-copy document and route it to a shared network folder. You can define up to 30 unique folder destinations.</p> <p>Notes:</p> <ul style="list-style-type: none"> • The printer must have permission to write to the destinations. From the computer where the destination is specified, use sharing, security, and firewall settings to allow the printer at least a <i>write</i> access. For help, see the documentation that came with your operating system. • The Scan to Network icon appears only when one or more destinations are defined. |

- 1 Open a Web browser, and then type the printer IP address in the address field.

Note: View the printer IP address on the printer control panel home screen. The IP address appears as four sets of numbers separated by periods, such as 123.123.123.123.


- 2 Click **Settings > Device Solutions > Solutions (eSF) > Scan to Network**.

3 Specify the destinations, and then customize the settings.

4 Click **Apply**.

To use the application, touch **Scan to Network** on the printer home screen, and then follow the instructions on the printer display.

Setting up My MFP


| Icon | Description |
|---|--|
|  | <p>The application lets you customize your touch-screen settings and store those preferences in a flash drive. Each time you want to copy, fax, or scan, insert the flash drive into the USB port of the printer. All your personal preferences are automatically uploaded, including job settings, home screen preferences, and address book.</p> <p>Note: The icon appears only when a flash drive with My MFP settings is inserted into the USB port of the printer.</p> |

To set up My MFP, insert a flash drive into the USB port of the printer, and then follow the instructions on the printer display to run the setup wizard.

To use My MFP, insert the flash drive into the USB port of the printer when you want to copy, fax, or scan.

Understanding WS-Scan

A WS-Scan icon and its description

| Icon | Description |
|---|---|
|  | <p>The Web Services-Scan application lets you scan documents at the network printer, and then send the scanned image to your computer. WS-Scan is a Microsoft application that is similar to Scan to Network, but has the capability of sending the scanned image to a Windows-based application. To learn more about WS-Scan, see the Microsoft documentation.</p> <p>Note: The icon appears on the printer home screen only when there is a computer registered with the network printer. The computer must have either Windows 8, Windows 7, or Windows Vista operating system installed.</p> |

Setting up Remote Operator Panel

This application shows the printer control panel on your computer screen and lets you interact with the printer control panel, even when you are not physically near the network printer. From your computer screen, you can view the printer status, release held print jobs, create bookmarks, and do other print-related tasks you might normally do while standing at the network printer.

1 Open a Web browser, and then type the printer IP address in the address field.

Note: View the printer IP address on the printer control panel home screen. The IP address appears as four sets of numbers separated by periods, such as 123.123.123.123.

2 Click **Settings > Device Solutions > Solutions (eSF) > Remote Operator Panel**.


3 Select the **Enabled** check box, and then customize the settings.

4 Click **Apply**.

To use the application, from the Embedded Web Server, click **Applications > Remote Operator Panel > Launch VNC Applet**.

Additional printer setup

Installing internal options

 **CAUTION—SHOCK HAZARD:** If you are accessing the system board or installing optional hardware or memory devices sometime after setting up the printer, then turn the printer off, and unplug the power cord from the wall outlet before continuing. If you have any other devices attached to the printer, then turn them off as well, and unplug any cables going into the printer.

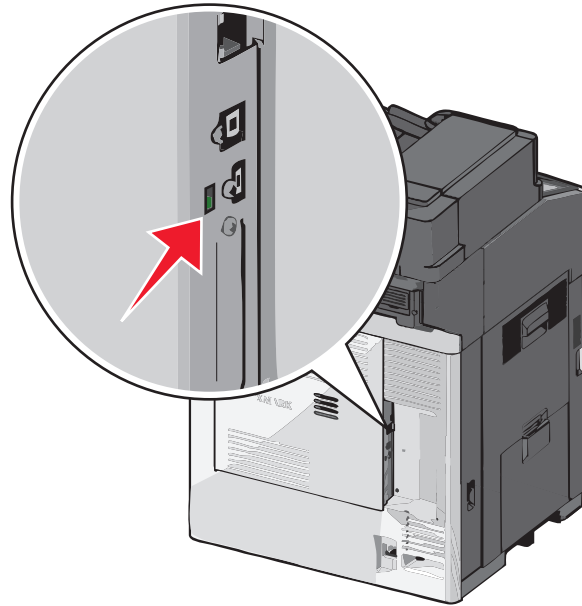
You can customize your printer connectivity and memory capacity by adding optional cards.

Available internal options

- Memory cards
 - Printer memory
 - Flash memory
 - Fonts
- Firmware cards
 - Bar Code
 - PrintCryption™
- Lexmark™ Internal Solutions Ports (ISP)
 - RS-232-C Serial ISP
 - Parallel 1284-B ISP
 - MarkNet™ N8250 802.11 b/g/n Wireless ISP
 - MarkNet N8130 10/100 Fiber ISP
 - MarkNet N8120 10/100/1000 Ethernet ISP

Using the security lock feature

The printer is equipped with a security lock feature. When a lock compatible with most laptop computers is attached, the printer is locked. Once locked, the metal plate and the system board cannot be removed. Attach a security lock to the printer in the location shown.

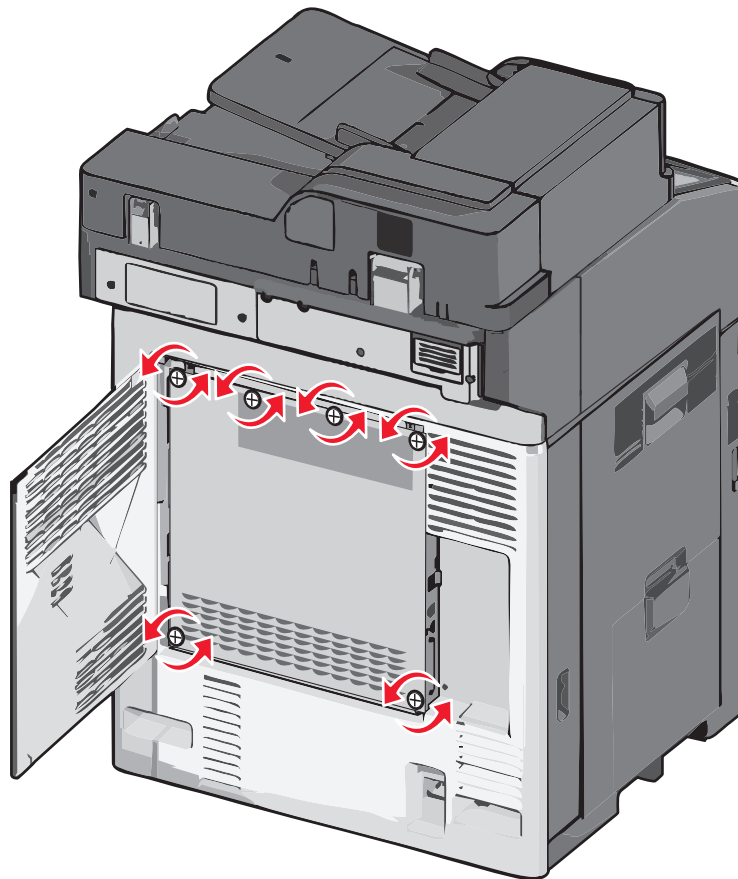


Accessing the system board

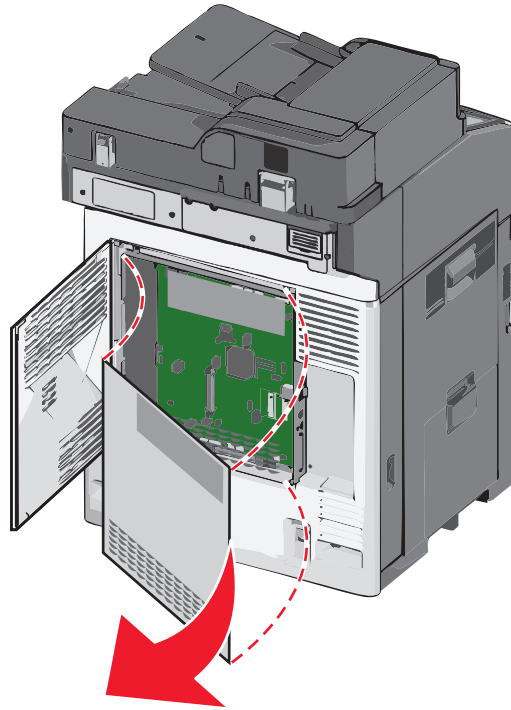
⚠ CAUTION—SHOCK HAZARD: If you are accessing the system board or installing optional hardware or memory devices sometime after setting up the printer, then turn the printer off, and unplug the power cord from the wall outlet before continuing. If you have any other devices attached to the printer, then turn them off as well, and unplug any cables going into the printer.

Note: This task requires a flathead screwdriver.

- 1 Open the cover.
- 2 Remove the metal panel.
 - a Turn the screws on the panel counterclockwise to remove them.

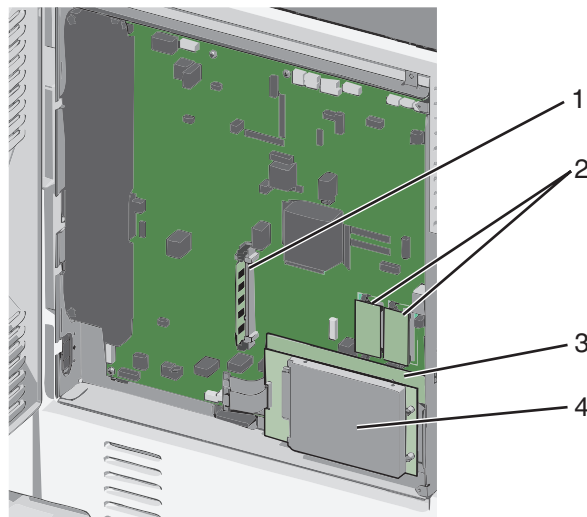


- b** Shift the metal panel to the left to disengage the hooks, then pull forward to remove it.



- 3** Use the following illustration to locate the appropriate connectors.

Warning—Potential Damage: System board electronic components are easily damaged by static electricity. Touch something metal on the printer before touching any system board electronic components or connectors.

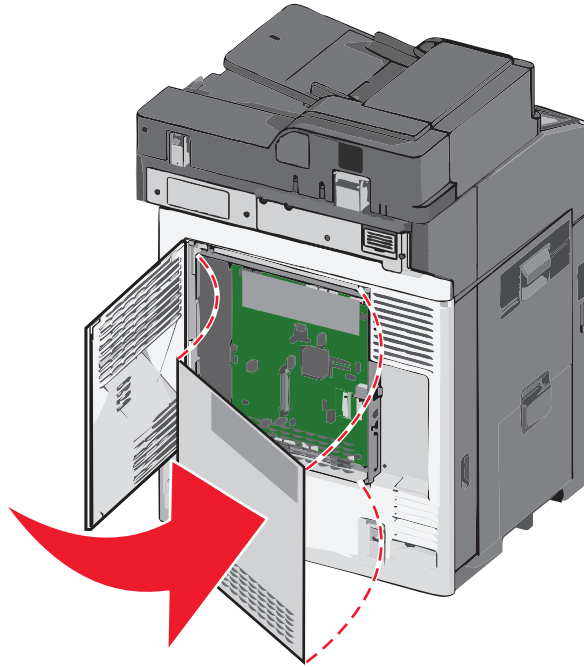


| | |
|---|---|
| 1 | Memory card connector |
| 2 | Firmware and flash memory card connectors |
| 3 | Internal print server connector |
| 4 | Hard disk connector |

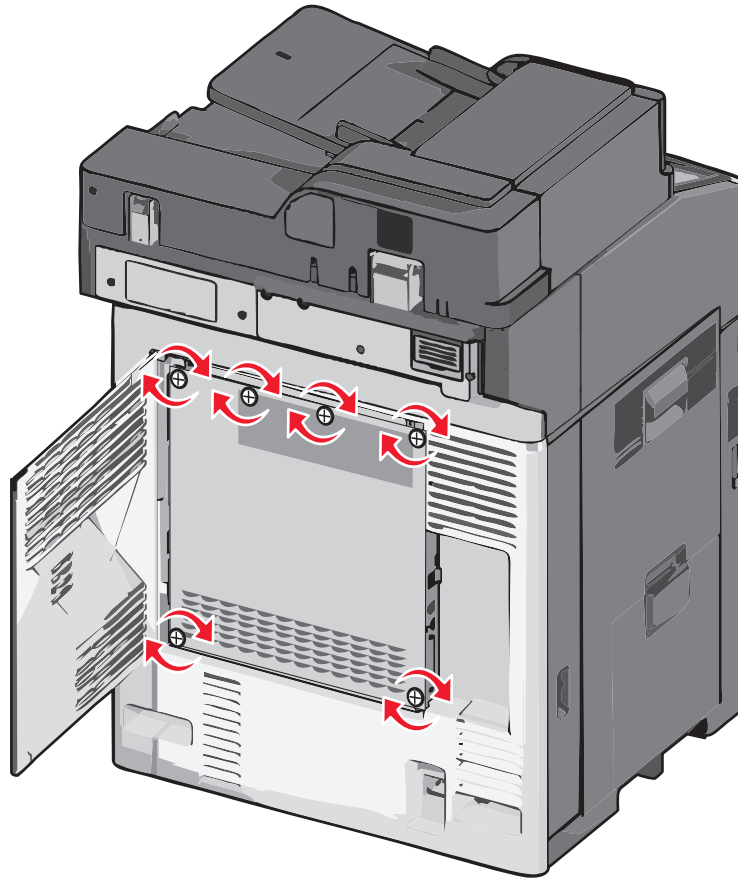
4 Reattach the system board cover.

Warning—Potential Damage: System board electronic components are easily damaged by static electricity. Touch something metal on the printer before touching any system board electronic components or connectors.

- a Reinstall the hooks on the left side of the metal panel into the slots on the system board cage, and then shift to the right.



- b Align and then turn each screw clockwise to tighten.



- c Close the cover.

Installing a memory card

CAUTION—SHOCK HAZARD: If you are accessing the system board or installing optional hardware or memory devices sometime after setting up the printer, then turn the printer off, and unplug the power cord from the wall outlet before continuing. If you have any other devices attached to the printer, then turn them off as well, and unplug any cables going into the printer.

Warning—Potential Damage: System board electronic components are easily damaged by static electricity. Touch something metal on the printer before touching any system board electronic components or connectors.

An optional memory card can be purchased separately and attached to the system board.

- 1 Access the system board.

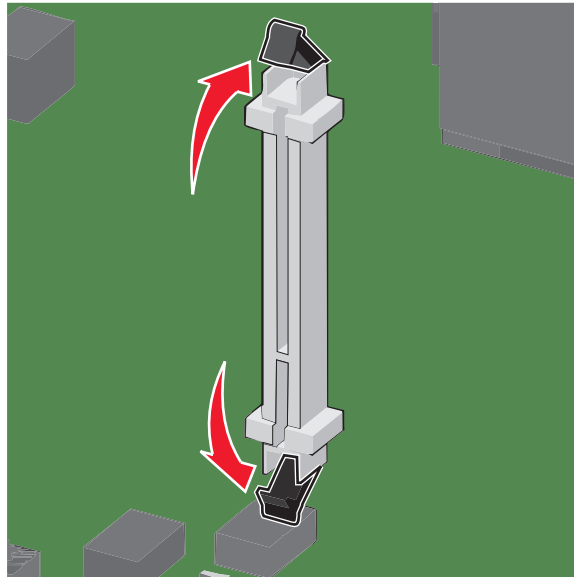
For more information, see “Accessing the system board” on page 27.

Note: This task requires a flathead screwdriver.

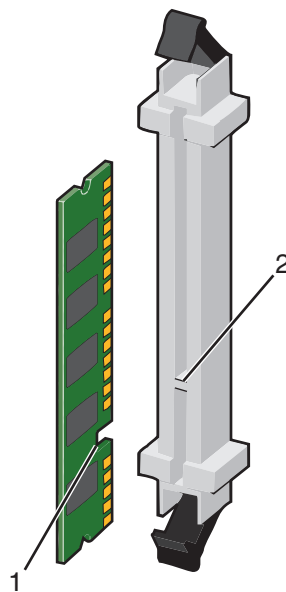
- 2 Unpack the memory card.

Note: Avoid touching the connection points along the edge of the card.

- 3 On the system board, open the memory card connector latches.

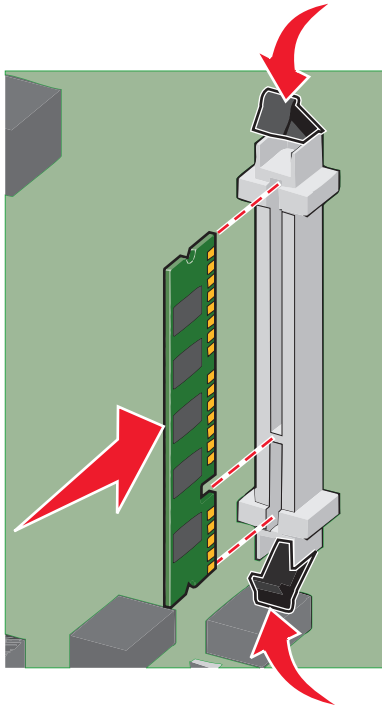


- 4 Align the notches on the memory card to the ridges on the connector.



| | |
|---|-------|
| 1 | Notch |
| 2 | Ridge |

- 5 Push the memory card straight into the connector until it *clicks* into place.



- 6 Reattach the system board cover.

Installing a flash memory or firmware card

The system board has two connections for an optional flash memory or firmware card. Only one of each may be installed, but the connectors are interchangeable.

⚠ CAUTION—SHOCK HAZARD: If you are accessing the system board or installing optional hardware or memory devices sometime after setting up the printer, then turn the printer off, and unplug the power cord from the wall outlet before continuing. If you have any other devices attached to the printer, then turn them off as well, and unplug any cables going into the printer.

Warning—Potential Damage: System board electronic components are easily damaged by static electricity. Touch something metal on the printer before touching any system board electronic components or connectors.

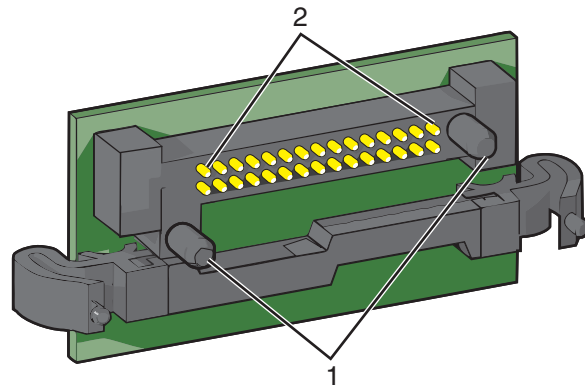
- 1 Access the system board.

Note: This task requires a flathead screwdriver.

- 2 Unpack the card.

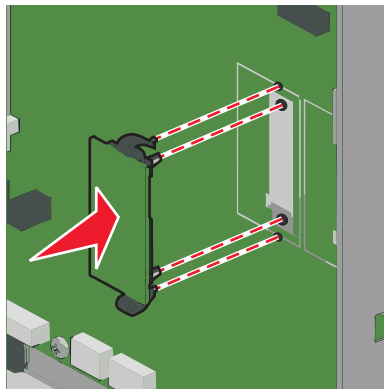
Note: Avoid touching the connection points along the edge of the card.

3 Holding the card by its sides, align the plastic pins on the card with the holes on the system board.



| | |
|---|--------------|
| 1 | Plastic pins |
| 2 | Metal pins |

4 Push the card firmly into place.



Notes:

- The entire length of the connector on the card must touch and be flush against the system board.
- Be careful not to damage the connectors.

5 Reattach the system board cover.

Installing an Internal Solutions Port

The system board supports one optional Lexmark Internal Solutions Port (ISP).

Note: This task requires a flathead screwdriver.

CAUTION—SHOCK HAZARD: If you are accessing the system board or installing optional hardware or memory devices sometime after setting up the printer, then turn the printer off, and unplug the power cord from the wall outlet before continuing. If you have any other devices attached to the printer, then turn them off as well, and unplug any cables going into the printer.

Warning—Potential Damage: System board electronic components are easily damaged by static electricity. Touch something metal on the printer before touching any system board electronic components or connectors.

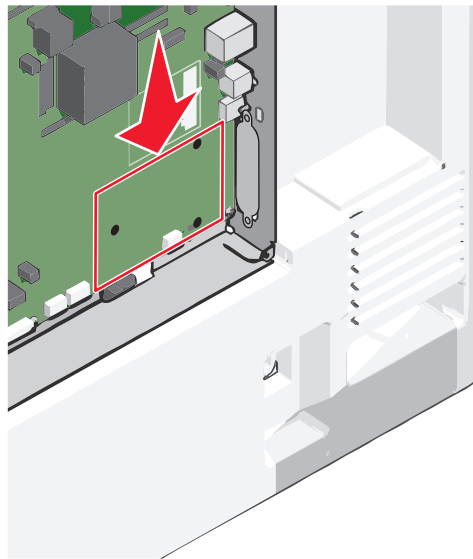
- 1 Access the system board.

For more information, see “Accessing the system board” on page 27.

- 2 Unpack the ISP and plastic tee.

Note: Avoid touching the components on the card.

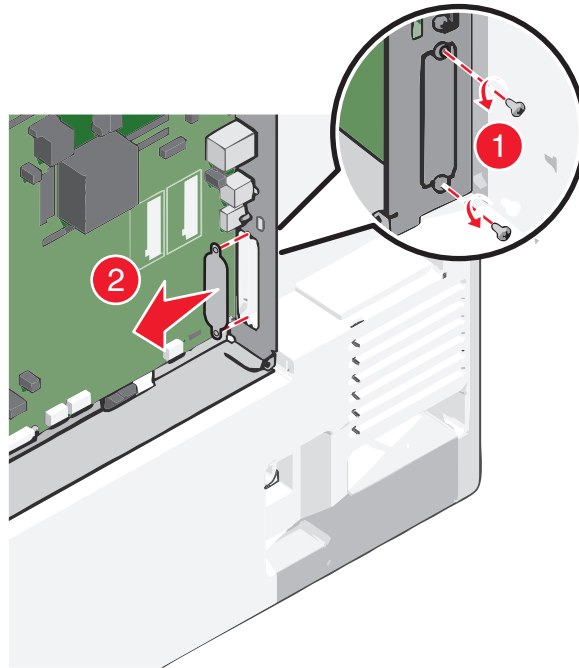
- 3 Locate the appropriate connector on the system board.



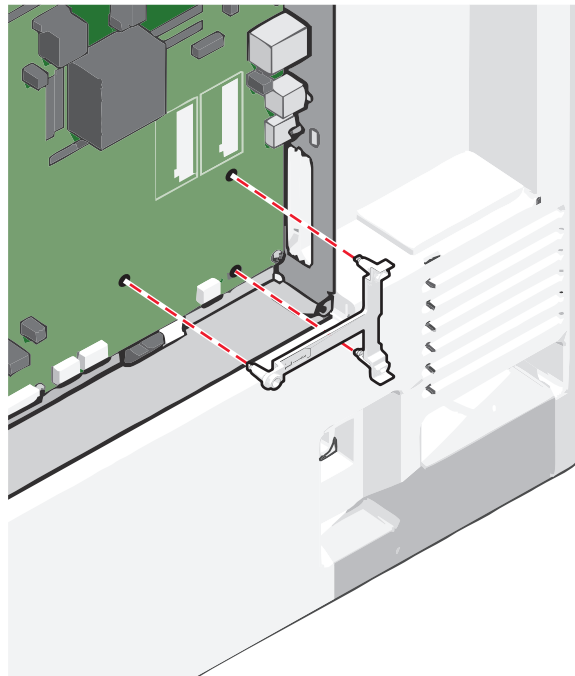
- 4 Remove the printer hard disk.

For more information, see “Removing a printer hard disk” on page 43.

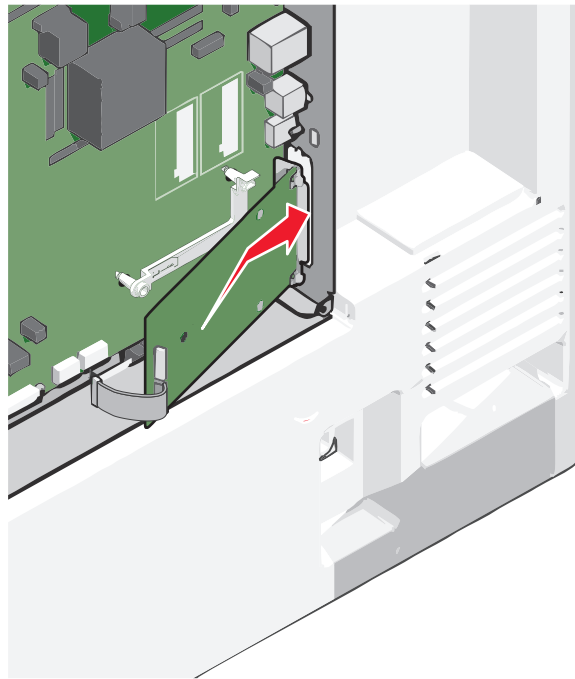
- 5 Remove the metal cover from the ISP opening.



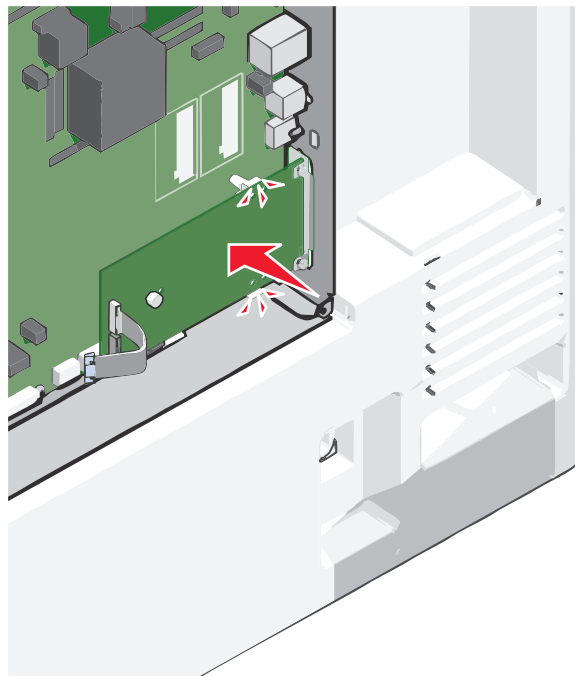
- 6 Align the posts of the plastic tee to the holes on the system board, and press down until the tee *clicks* into place. Be sure each post of the tee has latched completely, and the tee is seated firmly on the system board.



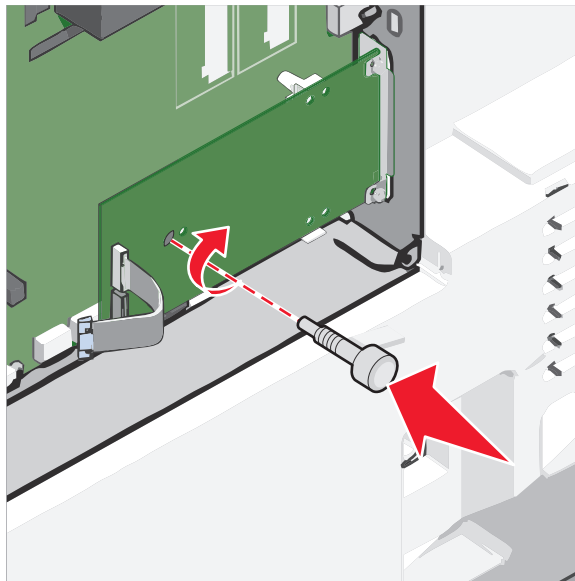
- 7** Install the ISP on the plastic tee. Angle the ISP over the plastic tee, and then slant it toward the plastic tee so that any overhanging connectors will pass through the ISP opening in the system board cage.



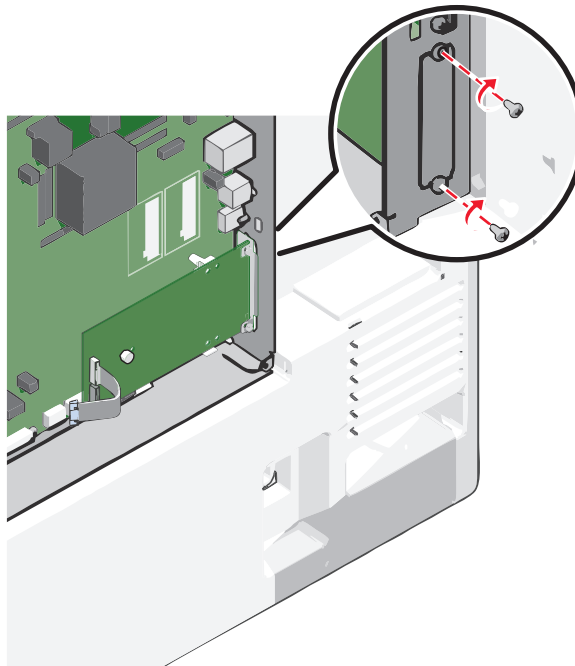
- 8** Lower the ISP toward the plastic tee until the ISP is seated between the guides of the plastic tee.



- 9** Insert the long thumbscrew and turn it clockwise, enough to hold the ISP in place, but do not yet tighten the thumbscrew.



- 10** Attach the two provided screws to secure the ISP mounting bracket to the system board cage.

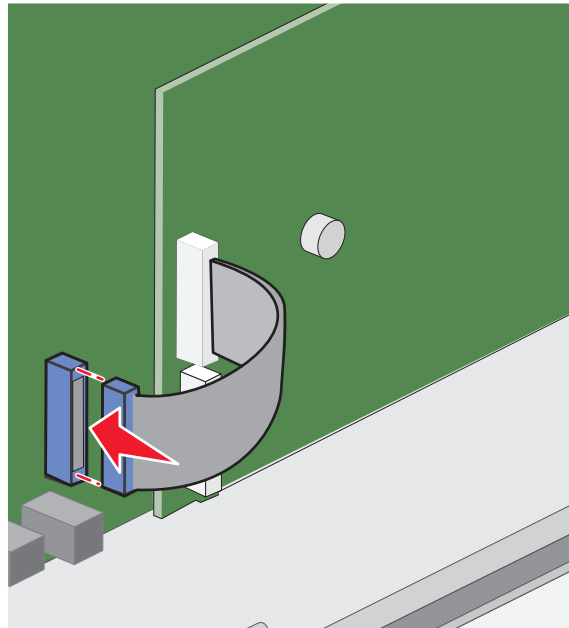


- 11** Tighten the long thumbscrew.

Warning—Potential Damage: Do not overtighten the thumbscrew.

- 12** Insert the plug of the ISP interface cable into the receptacle of the system board.

Note: The plugs and receptacles are color-coded.



13 Reattach the system board cover.

Installing a printer hard disk

Note: This task requires a flathead screwdriver.

⚠ CAUTION—SHOCK HAZARD: If you are accessing the system board or installing optional hardware or memory devices sometime after setting up the printer, then turn the printer off, and unplug the power cord from the wall outlet before continuing. If you have any other devices attached to the printer, then turn them off as well, and unplug any cables going into the printer.

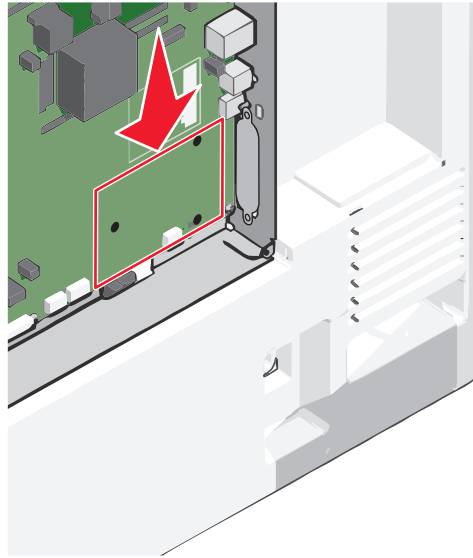
Warning—Potential Damage: System board electronic components are easily damaged by static electricity. Touch something metal on the printer before touching any system board electronic components or connectors.

1 Access the system board.

For more information, see “Accessing the system board” on page 27.

2 Unpack the printer hard disk.

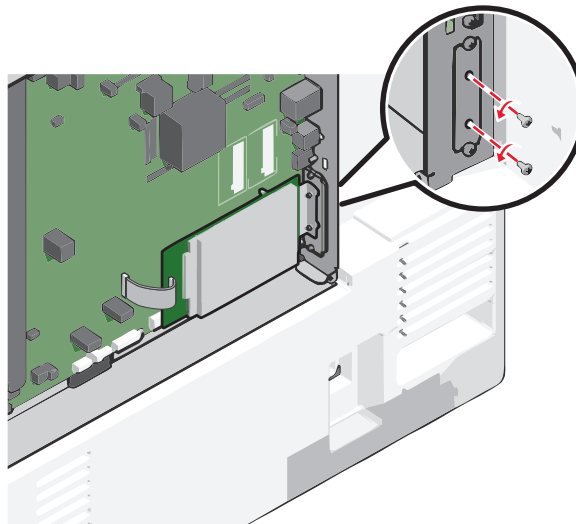
- 3** Locate the appropriate connector on the system board.



Note: If an optional ISP is currently installed, then the printer hard disk must be installed onto the ISP.

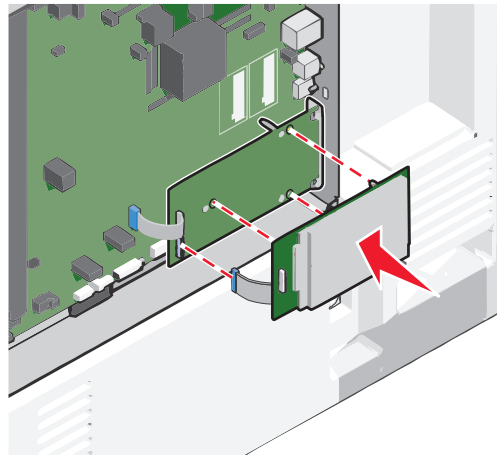
To install a printer hard disk onto the ISP:

- a** Using a flathead screwdriver, loosen the screws.



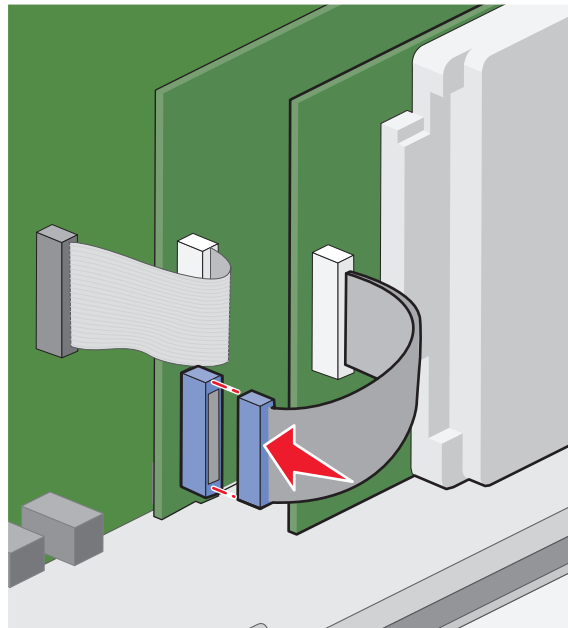
- b** Remove the screws attached to the printer hard disk mounting bracket, and then remove the bracket.

- c Align the standoffs of the printer hard disk to the holes in the ISP, and then press down on the printer hard disk until the standoffs are in place.



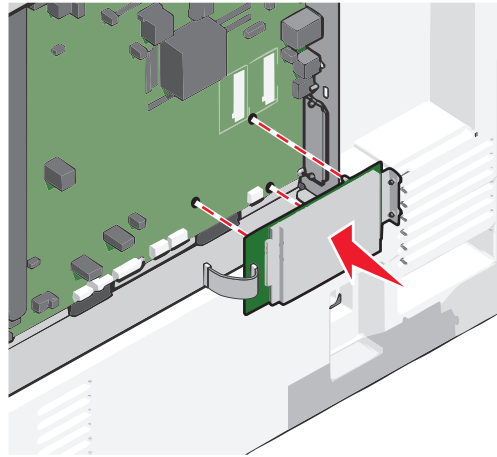
- d Insert the plug of the printer hard disk interface cable into the receptacle of the ISP.

Note: The plugs and receptacles are color-coded.

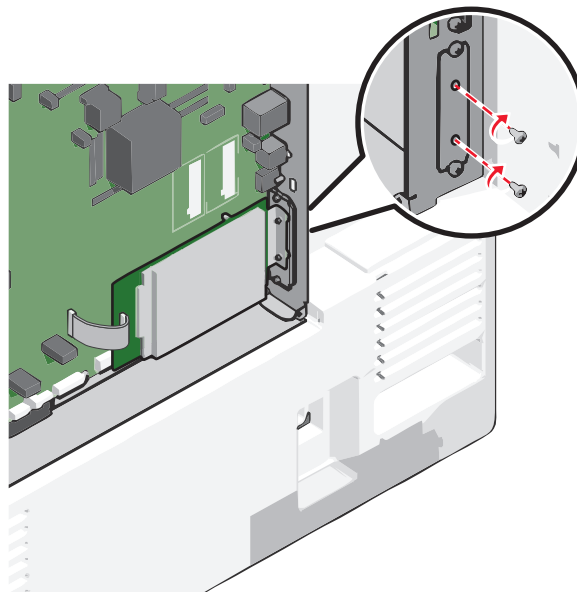


To install a printer hard disk directly on the system board:

- a Align the standoffs of the printer hard disk to the holes in the system board, and then press down on the printer hard disk until the standoffs are in place.

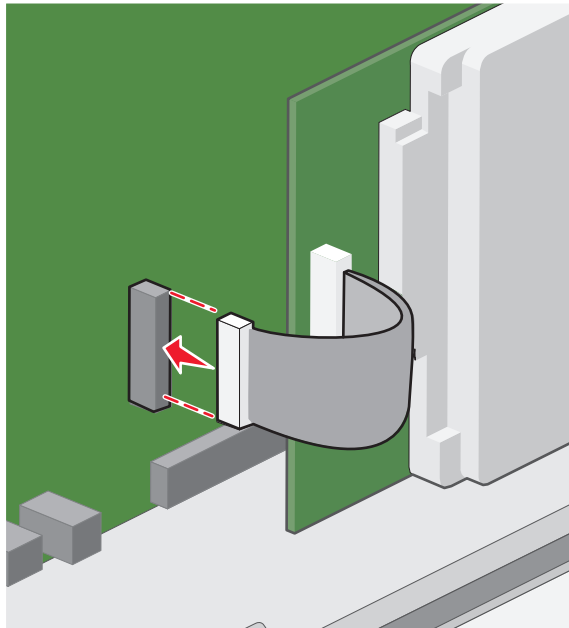


- b Use the two provided screws to attach the printer hard disk mounting bracket.



- c Insert the plug of the printer hard disk interface cable into the receptacle of the system board.

Note: The plugs and receptacles are color-coded.



4 Reattach the system board cover.

Removing a printer hard disk

Note: This task requires a flathead screwdriver.

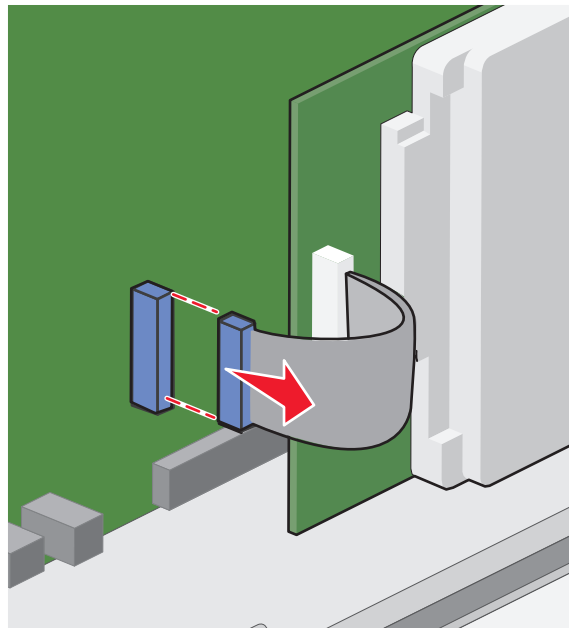
CAUTION—SHOCK HAZARD: If you are accessing the system board or installing optional hardware or memory devices sometime after setting up the printer, then turn the printer off, and unplug the power cord from the wall outlet before continuing. If you have any other devices attached to the printer, then turn them off as well, and unplug any cables going into the printer.

Warning—Potential Damage: System board electronic components are easily damaged by static electricity. Touch something metal on the printer before touching any system board electronic components or connectors.

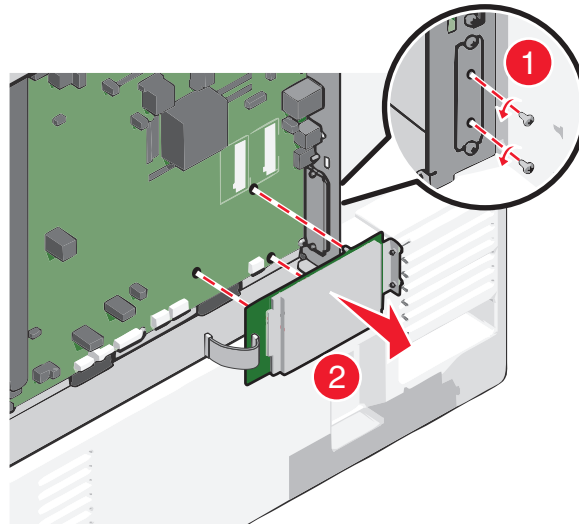
1 Access the system board.

For more information, see “Accessing the system board” on page 27.

2 Unplug the printer hard disk interface cable from the system board, leaving the cable attached to the printer hard disk. To unplug the cable, squeeze the paddle at the plug of the interface cable to disengage the latch before pulling the cable out.



- 3 Remove the screws while holding the printer hard disk in place, and then remove the printer hard disk.



- 4 Set the printer hard disk aside.
- 5 Reattach the system board cover.

Order of installation

- CAUTION—POTENTIAL INJURY:** The printer weight is greater than 18 kg (40 lb) and requires two or more trained personnel to lift it safely.
- CAUTION—TIPPING HAZARD:** Floor-mounted configurations require additional furniture for stability. You must use either a printer stand or printer base if you are using a high-capacity input tray, a duplex unit and an input option, or more than one input option. If you purchased a multifunction printer (MFP) that scans, copies, and faxes, you may need additional furniture. For more information, see www.lexmark.com/multifunctionprinters.
- CAUTION—SHOCK HAZARD:** If you are accessing the system board or installing optional hardware or memory devices sometime after setting up the printer, then turn the printer off, and unplug the power cord from the wall outlet before continuing. If you have any other devices attached to the printer, then turn them off as well, and unplug any cables going into the printer.

Install the printer and any options you have purchased in the following order:

- Caster base
- Optional spacer
- Optional 550-sheet trays or 2,000-sheet high-capacity feeder
- Standard 550-sheet trays
- Printer

For information on installing a caster base, a 550- or 2,000-sheet optional tray, spacer, or any of the finishers, see the setup documentation that came with the option.

Installing optional trays

The printer supports the following optional input sources:

- 550-sheet tray
- 2,000-sheet high-capacity feeder



CAUTION—POTENTIAL INJURY: The printer weight is greater than 18 kg (40 lb) and requires two or more trained personnel to lift it safely.



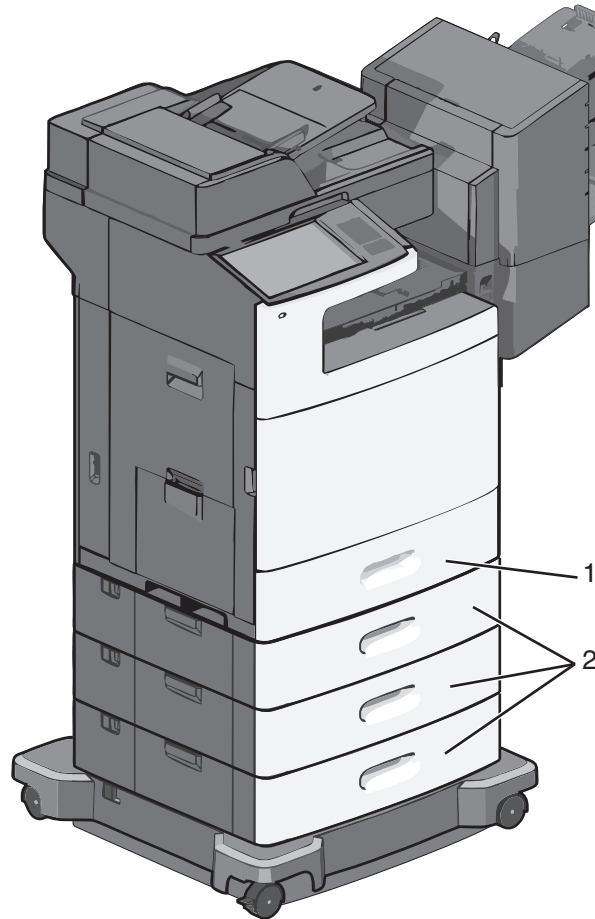
CAUTION—SHOCK HAZARD: If you are accessing the system board or installing optional hardware or memory devices sometime after setting up the printer, then turn the printer off, and unplug the power cord from the wall outlet before continuing. If you have any other devices attached to the printer, then turn them off as well, and unplug any cables going into the printer.



CAUTION—TIPPING HAZARD: Floor-mounted configurations require additional furniture for stability. You must use either a printer stand or printer base if you are using a high-capacity input tray, a duplex unit and an input option, or more than one input option. If you purchased a multifunction printer (MFP) that scans, copies, and faxes, then you may need additional furniture. For more information, see www.lexmark.com/multifunctionprinters.

- 1 Unpack the optional tray, and then remove all packing material.
- 2 Place the tray near the printer.
- 3 Turn the printer off.
- 4 Align the printer with the tray, and then lower the printer into place.

Note: Optional trays lock together when stacked. When necessary, remove stacked trays one at a time from the top down.



| | |
|---|----------------------------------|
| 1 | Standard 550-sheet tray (Tray 1) |
| 2 | Optional 550-sheet trays |

5 Turn the printer back on.

6 Set the printer software to recognize the optional input source.

For more information, see “Updating available options in the printer driver” on page 49.

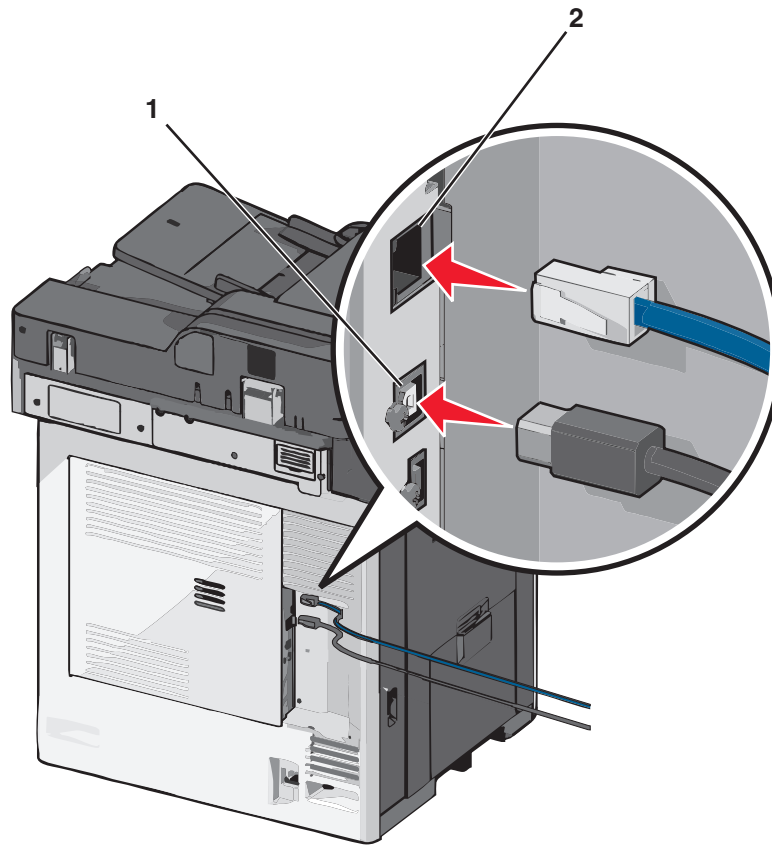
Attaching cables

⚠ CAUTION—POTENTIAL INJURY: Do not use the fax feature during a lightning storm. Do not set up this product or make any electrical or cabling connections, such as the fax feature, power cord, or telephone, during a lightning storm.

Connect the printer to the computer using a USB cable or Ethernet cable.

Be sure to match the following:

- The USB symbol on the cable with the USB symbol on the printer
- The appropriate Ethernet cable to the Ethernet port



| | |
|----------|--|
| 1 | USB port Warning—Potential Damage: Do not touch the USB cable, any network adapter, or the printer in the area shown while actively printing. A loss of data or a malfunction can occur. |
| 2 | Ethernet port |

Verifying printer setup

Once all hardware and software options are installed and the printer is turned on, verify that the printer is set up correctly by printing the following:

- **Menu settings page**—Use this page to verify that all printer options are installed correctly. A list of installed options appears toward the bottom of the page. If an option you installed is not listed, then it is not installed correctly. Remove the option and install it again.
- **Network setup page**—If your printer is a network model and is attached to a network, print a network setup page to verify the network connection. This page also provides important information that aids network printing configuration.

Printing a menu settings page

From the home screen, navigate to:

 > **Reports > Menu Settings Page**

Printing a network setup page

If the printer is attached to a network, then print a network setup page to verify the network connection. This page also provides important information that aids network printing configuration.

- 1 From the home screen, navigate to:

 > **Reports** > **Network Setup Page**

- 2 Check the first section of the network setup page, and confirm that the status is **Connected**.

If the status is **Not Connected**, then the LAN drop may not be active, or the network cable may be malfunctioning. Consult a system support person for a solution, and then print another network setup page.

Setting up the printer software

Installing the printer software

Notes:

- If you installed the printer software on the computer before but need to reinstall the software, then uninstall the current software first.
- Close all open software programs before installing the printer software.

- 1 Obtain a copy of the software installer package.

- From the *Software and Documentation* CD that came with your printer.
- From our Web site:

Go to <http://support.lexmark.com>, and then navigate to:

SUPPORT & DOWNLOAD > select your printer > select your operating system

- 2 Double-click the software installer package.

Wait for the installation dialog to appear.


If you are using a *Software and Documentation* CD and the installation dialog does not appear, then do the following:

In Windows 8

From the Search charm, type **run**, and then navigate to:

Apps list > **Run** > type **D:\setup.exe** > **OK**.

In Windows 7 or earlier

- a Click  or click **Start**, and then click **Run**.
- b In the Start Search or Run dialog, type **D:\setup.exe**.
- c Press **Enter**, or click **OK**.

In Macintosh

Click the CD icon on the desktop.

Note: D is the letter of your CD or DVD drive.

- 3 Click **Install**, and then follow the instructions on the computer screen.

Updating available options in the printer driver

When any hardware options are installed, you may need to manually add the options in the printer driver to make them available for use.

For Windows users


- 1 Open the printers folder.

In Windows 8

From the Search charm, type **run**, and then navigate to:

Apps list > **Run** > type **control printers** > **OK**

In Windows 7 or earlier

- a Click  or click **Start**, and then click **Run**.
 - b In the Start Search or Run dialog, type **control printers**.
 - c Press **Enter**, or click **OK**.
- 2 Depending on your device, do either of the following:
 - Press and hold the printer you want to update.
 - Right-click the printer you want to update.
 - 3 From the menu that appears, do either of the following:
 - For Windows 7 or later, select **Printer properties**.
 - For earlier versions, select **Properties**.
 - 4 Click the **Configuration** tab.
 - 5 Do either of the following:
 - Click **Update Now - Ask Printer**.
 - Under Configuration Options, manually add any installed hardware options.
 - 6 Click **Apply**.

For Macintosh users

- 1 From the Apple menu, navigate to either of the following:
 - **System Preferences** > **Print & Scan** > select your printer > **Options & Supplies** > **Driver**
 - **System Preferences** > **Print & Fax** > select your printer > **Options & Supplies** > **Driver**
- 2 Add any installed hardware options, and then click **OK**.

Setting up wireless printing

Note: A Service Set Identifier (SSID) is a name assigned to a wireless network. Wired Equivalent Privacy (WEP), Wi-Fi Protected Access (WPA), WPA2, and 802.1X - RADIUS are types of security used on a network.

Preparing to set up the printer on a wireless network

Notes:

- Make sure your access point (wireless router) is turned on and is working properly.
- Do not connect the installation or network cables until prompted to do so by the setup software.

Make sure you have the following information before setting up the printer on a wireless network:

- **SSID**—The SSID is also referred to as the network name.
- **Wireless Mode (or Network Mode)**—The mode is either infrastructure or ad hoc.
- **Channel (for ad hoc networks)**—The channel defaults to automatic for infrastructure networks.

Some ad hoc networks will also require the automatic setting. Check with your system support person if you are not sure which channel to select.

- **Security Method**—There are four basic options for Security Method:

- WEP key

If your network uses more than one WEP key, then enter up to four in the provided spaces. Select the key currently in use on the network by selecting the default WEP transmit key.

- WPA or WPA2 preshared key or passphrase

WPA includes encryption as an additional layer of security. The choices are AES or TKIP. Encryption must be set for the same type on the router and on the printer, or the printer will not be able to communicate on the network.

- 802.1X–RADIUS

If you are installing the printer on an 802.1X network, then you may need the following:

- Authentication type
- Inner authentication type
- 802.1X user name and password
- Certificates

- No security

If your wireless network does not use any type of security, then you will not have any security information.

Note: Using an unsecured wireless network is not recommended.

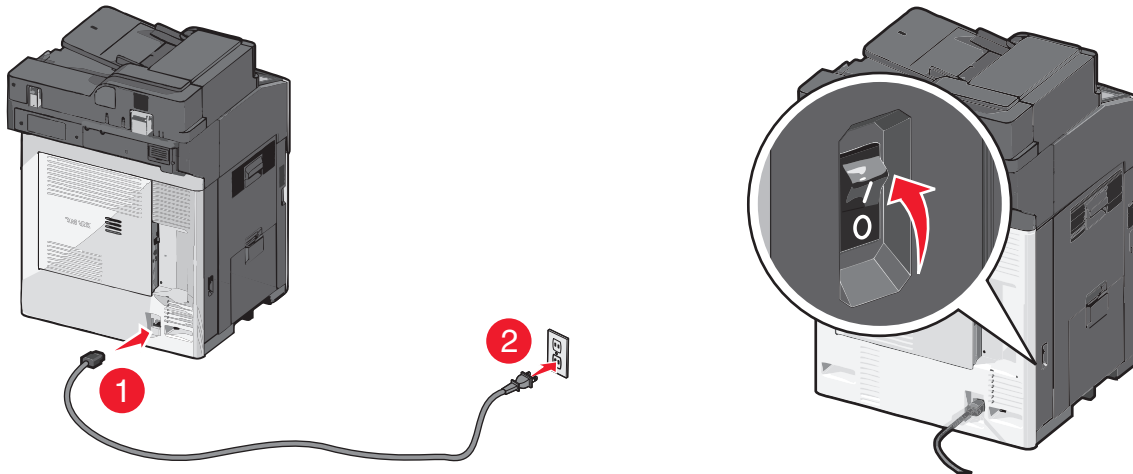
Notes:

- If you do not know the SSID of the network that your computer is connected to, then launch the wireless utility of the computer network adapter, and then look for the network name. If you cannot find the SSID or the security information for your network, then see the documentation that came with the access point or contact your system support person.
- To find the WPA/WPA2 preshared key or passphrase for the wireless network, see the documentation that came with the access point, see the Embedded Web Server associated with the access point, or consult your system support person.

Installing the printer on a wireless network (Windows)

Before installing the printer on a wireless network, make sure:

- Your wireless network is set up and is working properly.
 - The computer you are using is connected to the same wireless network where you want to set up the printer.
- 1 Connect the power cord to the printer, then to a properly grounded electrical outlet, and then turn on the printer.



Note: Make sure the printer and the computer are fully on and ready.

Warning—Potential Damage: Do not connect the USB cable until instructed to do so on the computer screen.



- 2 Obtain a copy of the software installer package.
 - From the *Software and Documentation* CD that came with your printer.
 - From our Web site:
Go to <http://support.lexmark.com>, and then navigate to:
SUPPORT & DOWNLOAD > select your printer > select your operating system

- 3 Double-click the software installer package.

Wait for the installation dialog to appear.


If you are using the *Software and Documentation* CD and the installation dialog does not appear, then do the following:

In Windows 8

From the Search charm, type **run**, and then navigate to:

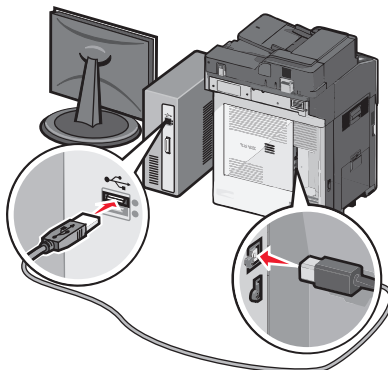
Apps list > **Run** > type **D:\setup.exe** > **OK**

In Windows 7 or earlier

- a Click  or click **Start**, and then click **Run**.
- b In the Start Search or Run dialog, type `D:\setup.exe`.
- c Press **Enter** or click **OK**.

Note: D is the letter of your CD or DVD drive.

- 4 Click **Install**, and then follow the instructions on the computer screen.
- 5 Select **Wireless connection** when asked to choose a connection type.
- 6 From the Wireless Configuration dialog, select **Guided Setup (Recommended)**.
Note: Choose **Advanced Setup** only if you want to customize your installation.
- 7 Temporarily connect a USB cable between the computer on the wireless network and the printer.



Note: After the printer is configured, the software will instruct you to disconnect the temporary USB cable so you can print wirelessly.

- 8 Follow the instructions on the computer screen.

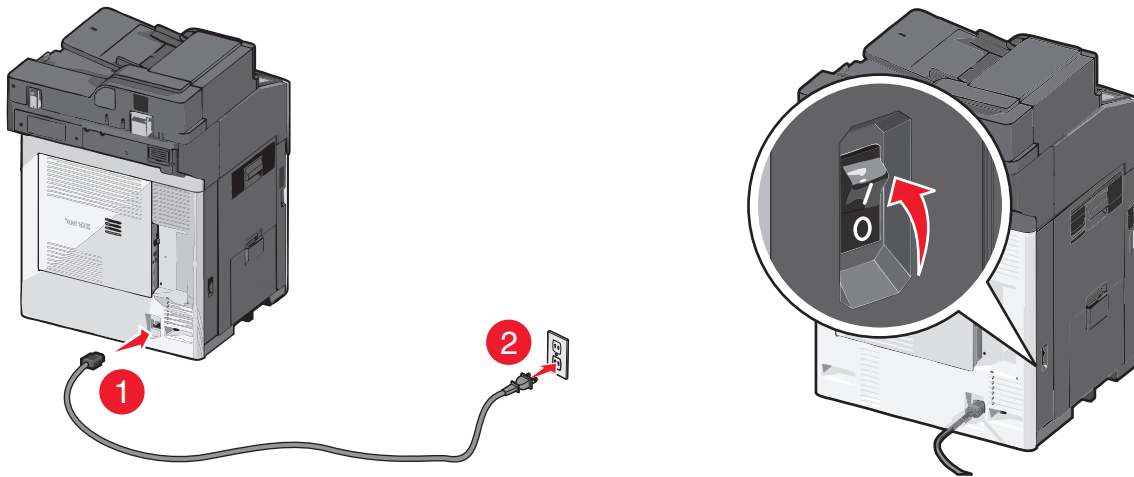
Note: For more information on allowing other computers on the network to use the wireless printer, see the *Networking Guide*.

Installing the printer on a wireless network (Macintosh)

Note: Make sure to disconnect the Ethernet cable when installing the printer on a wireless network.

Prepare to configure the printer

- 1 Connect the power cord to the printer, then to a properly grounded electrical outlet, and then turn on the printer.



2 Locate the printer MAC address.

- a** From the printer control panel, navigate to:



or



- b** In the Standard Network Card section, look for **UAA (MAC)**.

Note: You will need this information later.

Enter the printer information

- 1** Access the AirPort options:

In Mac OS X version 10.5 or later

From the Apple menu, navigate to either of the following:

- **System Preferences > Network > Wi-Fi**
- **System Preferences > Network > AirPort**

In Mac OS X version 10.4

From the Finder, navigate to:

Applications > Internet Connect > AirPort

- 2** From the Network Name pop-up menu, select **print server [yyyyyy]**, where the **y**'s are the last six digits of the MAC address located on the MAC address sheet.
- 3** Open a Web browser.
- 4** From the Bookmarks menu, select **Show** or **Show All Bookmarks**.
- 5** Under COLLECTIONS, select **Bonjour** or **Rendezvous**, and then double-click the printer name.

Note: The application referred to as *Rendezvous* in Mac OS X version 10.2 is now called *Bonjour* by Apple Inc.

- 6** From the Embedded Web Server, navigate to the location of the wireless settings information.

Configure the printer for wireless access

- 1 Type the network name (SSID) in the appropriate field.
- 2 Select **Infrastructure** as your Network Mode setting if you are using an access point (wireless router).
- 3 Select the type of security you want to use to protect the wireless network.
- 4 Enter the security information necessary for the printer to connect to the wireless network.
- 5 Click **Submit**.
- 6 Open the AirPort application on the computer:

In Mac OS X version 10.5 or later

From the Apple menu, navigate to either of the following:

- **System Preferences > Network > Wi-Fi**
- **System Preferences > Network > AirPort**

In Mac OS X version 10.4

From the Finder, navigate to:

Applications > Internet Connect > AirPort

- 7 From the Network pop-up menu, select the name of the wireless network.

Configure your computer to use the printer wirelessly

To print on a network printer, each Macintosh user must install a custom printer driver file and create a print queue in the Printer Setup Utility or Print Center.

- 1 Install a printer driver file on the computer:
 - a Obtain a copy of the software installer package.
 - From the *Software and Documentation* CD that came with your printer.
 - From our Web site:
Go to <http://support.lexmark.com>, and then navigate to:
SUPPORT & DOWNLOAD > select your printer > select your operating system
 - b Double-click the installer package for the printer.
 - c Follow the instructions on the computer screen.
 - d Select a destination, and then click **Continue**.
 - e From the Easy Install screen, click **Install**.
 - f Type the user password, and then click **OK**.
All necessary applications are installed in the computer.
 - g Click **Close** when the installation is complete.
- 2 Add the printer:
 - a For IP printing:

In Mac OS X version 10.5 or later

- 1 From the Apple menu, navigate to either of the following:
 - **System Preferences > Print & Scan**
 - **System Preferences > Print & Fax**

- 2 Click +.
- 3 If necessary, click **Add Printer or Scanner** or **Add Other Printer or Scanner**.
- 4 Click the **IP** tab.
- 5 Type the IP address of the printer in the address field, and then click **Add**.

In Mac OS X version 10.4

- 1 From the Finder, navigate to:
Applications > Utilities
- 2 Double-click **Printer Setup Utility** or **Print Center**.
- 3 From the Printer List, choose **Add**, and then click **IP Printer**.
- 4 Type the IP address of the printer in the address field, and then click **Add**.

b For AppleTalk printing:

Notes:

- Make sure AppleTalk is activated on your printer.
- This feature is supported only in Mac OS X version 10.5 or earlier.

In Mac OS X version 10.5

- 1 From the Apple menu, navigate to:
System Preferences > Print & Fax
- 2 Click +, and then navigate to:
AppleTalk > select the printer from the list > Add

In Mac OS X version 10.4

- 1 From the Finder, navigate to:
Applications > Utilities
- 2 Double-click **Printer Setup Utility** or **Print Center**.
- 3 From the Printer List, click **Add**.
- 4 Click **Default Browser** tab > **More Printers**.
- 5 From the first pop-up menu, select **AppleTalk**.
- 6 From the second pop-up menu, select **Local AppleTalk Zone**.
- 7 Select the printer from the list, and then click **Add**.

Installing the printer on an Ethernet network

Note: Make sure you have completed the initial setup of the printer.

For Windows users

- 1 Obtain a copy of the software installer package.
 - From the *Software and Documentation* CD that came with your printer.
 - From our Web site:
Go to <http://support.lexmark.com>, and then navigate to:
SUPPORT & DOWNLOAD > select your printer > select your operating system
- 2 Double-click the software installer package.
Wait for the installation dialog to appear.


If you are using the *Software and Documentation* CD and the installation dialog does not appear, then do the following:

In Windows 8

From the Search charm, type **run**, and then navigate to:

Apps list > **Run** > type **D:\setup.exe** > **OK**

In Windows 7 or earlier

- a Click  or click **Start**, and then click **Run**.
- b In the Start Search or Run dialog, type **D:\setup.exe**.
- c Press **Enter** or click **OK**.

Note: D is the letter of your CD or DVD drive.

- 3 Click **Install**, and then follow the instructions on the computer screen.

Note: To configure the printer using a static IP address, IPv6, or scripts, select **Advanced Options > Administrator Tools**.

- 4 Select **Ethernet connection**, and then click **Continue**.
- 5 Attach the Ethernet cable when instructed to do so.
- 6 Select the printer from the list, and then click **Continue**.

Note: If the configured printer does not appear in the list, then click **Modify Search**.

- 7 Follow the instructions on the computer screen.

For Macintosh users

- 1 Allow the network DHCP server to assign an IP address to the printer.
- 2 Obtain the printer IP address either:
 - From the printer control panel
 - From the TCP/IP section in the Network/Ports menu
 - By printing a network setup page or menu settings page, and then finding the TCP/IP section

Note: You will need the IP address if you are configuring access for computers on a different subnet than the printer.

- 3 Install the printer driver on the computer.
 - a Double-click the installer package for the printer.
 - b Follow the instructions on the computer screen.
 - c Select a destination, and then click **Continue**.
 - d From the Easy Install screen, click **Install**.
 - e Type the user password, and then click **OK**.
All the necessary applications are installed on the computer.
 - f Click **Close** when the installation is complete.
- 4 Add the printer.
 - For IP printing:

In Mac OS X version 10.5 or later

- a From the Apple menu, navigate to either of the following:
 - **System Preferences > Print & Scan**
 - **System Preferences > Print & Fax**
- b Click +.
- c If necessary, click **Add Printer or Scanner** or **Add Other Printer or Scanner**.
- d Click the **IP** tab.
- e Type the printer IP address in the address field, and then click **Add**.

In Mac OS X version 10.4 or earlier

- a From the Finder, navigate to:
Applications > Utilities
 - b Double-click **Printer Setup Utility** or **Print Center**.
 - c From the printer list, click **Add**, and then click **IP Printer**.
 - d Type the scanner IP address in the address field, and then click **Add**.
- For AppleTalk printing:

Notes:

- Make sure AppleTalk is activated on your printer.
- This feature is supported only in Mac OS X version 10.5 or earlier.

In Mac OS X version 10.5

- a From the Apple menu, navigate to:
System Preferences > Print & Fax
- b Click +, and then navigate to:
AppleTalk > select your printer > Add

In Mac OS X version 10.4 or earlier

- a From the Finder, navigate to:
Applications > Utilities
- b Double-click **Printer Setup Utility** or **Print Center**.
- c From the printer list, click **Add**.
- d Click **Default Browser** tab > **More Printers**.
- e From the first pop-up menu, select **AppleTalk**.
- f From the second pop-up menu, select **Local AppleTalk Zone**.
- g Select the device from the list, and then click **Add**.

Note: If the scanner does not show up in the list, then you may need to add it using the IP address. For more information, contact your system support person.

Changing port settings after installing a new network Internal Solutions Port

When a new Lexmark Internal Solutions Port (ISP) is installed in the printer, the printer configurations on computers that access the printer must be updated since the printer will be assigned a new IP address. All computers that access the printer must be updated with this new IP address.

Notes:

- If the printer has a static IP address, then you do not need to make any changes to the computer configurations.
- If the computers are configured to use the network name, instead of an IP address, then you do not need to make any changes to your computer configurations.
- If you are adding a wireless ISP to a printer previously configured for an Ethernet connection, then make sure the printer is disconnected from the Ethernet network when you configure the printer to operate wirelessly. If the printer is connected to the Ethernet network, then the wireless configuration completes, but the wireless ISP is inactive. To activate the wireless ISP, disconnect the printer from the Ethernet network, turn off the printer, and then turn it back on.
- Only one network connection is active at a time. To switch between Ethernet and wireless connection types, turn off the printer, connect the cable (to switch to an Ethernet connection) or disconnect the cable (to switch to a wireless connection), and then turn the printer back on.

For Windows users

- 1 Open a Web browser, and then type the printer IP address in the address field.

Notes:

- View the printer IP address on the printer control panel. The IP address appears as four sets of numbers separated by periods, such as 123.123.123.123.
- If you are using a proxy server, then temporarily disable it to load the Web page correctly.

- 2 Open the printers folder.

In Windows 8

From the Search charm, type **Run** and then navigate to:

Apps list > **Run** > type **control printers** > **OK**

In Windows 7 or earlier

a Click , or click **Start** and then click **Run**.

b In the Start Search or Run dialog, type **control printers**.

c Press **Enter**, or click **OK**.

- 3 To select the printer that has changed, do either of the following:

- Press and hold the printer, and then select **Printer properties**.
- Right-click the printer, and then select **Printer properties** (Windows 7 or later) or **Properties** (earlier versions).

Note: If there is more than one copy of the printer, then update all of them with the new IP address.

- 4 Click the **Ports** tab.

- 5 Select the port from the list, and then click **Configure Port**.

- 6 Type the new IP address in the “Printer Name or IP Address” field.
- 7 Click **OK** > **Close**.

For Macintosh users

- 1 Open a Web browser, and then type the printer IP address in the address field.

Notes:

- View the printer IP address on the printer control panel. The IP address appears as four sets of numbers separated by periods, such as 123.123.123.123.
- If you are using a proxy server, then temporarily disable it to load the Web page correctly.

- 2 Add the printer.

- For IP printing:
 - a From the Apple menu, navigate to either of the following:
 - **System Preferences** > **Print & Scan**
 - **System Preferences** > **Print & Fax**
 - b Click +.
 - c Click the **IP** tab.
 - d Type the printer IP address in the address field, and then click **Add**.
- For AppleTalk printing:

Notes:

- Make sure AppleTalk is activated on your printer.
- This feature is supported only in Mac OS X version 10.5.

- a From the Apple menu, navigate to:
System Preferences > **Print & Fax**
- b Click +, and then navigate to:
AppleTalk > select the printer > **Add**

Setting up serial printing

Use serial printing to print when the computer is far from the printer or to print at a reduced speed.

After installing the serial or communication (COM) port, configure the printer and the computer. Make sure you have connected the serial cable to the COM port on your printer.

- 1 Set the parameters in the printer.
 - a From the printer control panel, navigate to the menu for the port settings.
 - b Locate the menu for the serial port settings, and then adjust the settings, if necessary.
 - c Save the modified settings, and then print a menu settings page.

2 Install the printer driver.

a Obtain a copy of the software installer package.

- From the *Software and Documentation* CD that came with your printer
- From our Web site:

Go to <http://support.lexmark.com>, and then navigate to:

SUPPORT & DOWNLOAD > select your printer > select your operating system

b Double-click the software installer package.

Wait for the installation dialog to appear.


If you are using the *Software and Documentation* CD and the installation dialog does not appear, then do the following:

In Windows 8

From the Search charm type **run**, and then navigate to:

Apps list > **Run** > type **D:\setup.exe** > **OK**

In Windows 7 or earlier

- 1 Click  or click **Start**, and then click **Run**.
- 2 In the Start Search or Run dialog, type **D:\setup.exe**.
- 3 Press **Enter** or click **OK**.

Note: D is the letter of your CD or DVD drive.

c Click **Install**.

d Follow the instructions on the computer screen.

e Select **Advanced**, and then click **Continue**.

f From the Configure Printer Connection dialog, select a port.

g If the port is not in the list, then click **Refresh**, or navigate to:

Add port > select a port type > enter the necessary information > **OK**

h Click **Continue** > **Finish**.

3 Set the COM port parameters.

After installing the printer driver, set the serial parameters in the COM port assigned to the printer driver.

Note: Make sure the serial parameters in the COM port match the serial parameters you set in the printer.


a Open Device Manager.

In Windows 8

From the Search charm, type **run** and then navigate to:

Apps list > **Run** > type **devmgmt.msc** > **OK**

In Windows 7 or earlier

- 1 Click  or click **Start**, and then click **Run**.
- 2 In the Start Search or Run dialog, type **devmgmt.msc**.
- 3 Press **Enter** or click **OK**.

b Double-click **Ports (COM & LPT)** to expand the list of available ports.

-
- c** Do either of the following:
 - Press and hold the COM port where you attached the serial cable to your computer (example: COM1).
 - Right-click the COM port where you attached the serial cable to your computer (example: COM1).
 - d** From the menu that appears, select **Properties**.
 - e** On the Port Settings tab, set the serial parameters to the same serial parameters set in the printer. Check the serial heading of the menu settings page for the printer settings.
 - f** Click **OK**, and then close all the dialogs.
 - g** Print a test page to verify printer installation.

Minimizing your printer's environmental impact

Lexmark is committed to environmental sustainability and is continually improving its printers to reduce their impact on the environment. We design with the environment in mind, engineer our packaging to reduce materials, and provide collection and recycling programs. For more information, see:

- The Notices chapter
- The Environmental Sustainability section of the Lexmark Web site at www.lexmark.com/environment
- The Lexmark recycling program at www.lexmark.com/recycle

By selecting certain printer settings or tasks, you may be able to reduce your printer's impact even further. This chapter outlines the settings and tasks that may yield a greater environmental benefit.

Saving paper and toner

Studies show that as much as 80% of the carbon footprint of a printer is related to paper usage. You can significantly reduce your carbon footprint by using recycled paper and the following printing suggestions, such as printing on both sides of the paper and printing multiple pages on one side of a single sheet of paper.

For information on how you can quickly save paper and energy using one printer setting, see "Using Eco-Mode".

Using recycled paper

As an environmentally conscious company, Lexmark supports the use of recycled office paper produced specifically for use in laser printers. For more information on recycled papers that work well with your printer, see "Using recycled paper and other office papers" on page 80.

Conserving supplies

Use both sides of the paper

If your printer model supports duplex printing, you can control whether print appears on one or two sides of the paper by selecting **2-sided printing** from the Print dialog or from the Lexmark Toolbar.

Place multiple pages on one sheet of paper

You can print up to 16 consecutive pages of a multiple-page document onto one side of a single sheet of paper by selecting a setting from the Multipage printing (N-Up) section of the Print dialog screen.

Check your first draft for accuracy

Before printing or making multiple copies of a document:

- Use the preview feature, which you can select from the Print dialog or from the Lexmark Toolbar to see how the document will look like before you print it.
- Print one copy of the document to check its content and format for accuracy.

Avoid paper jams

Correctly set the paper type and size to avoid paper jams. For more information, see "Avoiding jams" on page 249.

Print in black and white

To print all text and graphics using only the black print cartridge, set the printer to Black Only. For more information, see “Printing in black and white” on page 87.

Saving energy

Using Eco-Mode

1 Type the printer IP address in the address field of your Web browser.

If you do not know the IP address of the printer, then you can:

- View the IP address on the printer control panel in the TCP/IP section under the Networks/Ports menu.
- Print a network setup page or the menu settings pages and locate the IP address in the TCP/IP section.

2 Click **Settings > General Settings > Eco-Mode > select a setting > Submit.**

| Choose | To |
|---------------------|--|
| Off | Use factory default settings for all settings associated with Eco-Mode. This setting supports the performance specifications of your printer. |
| Energy | Reduce energy use, especially when the printer is idle. <ul style="list-style-type: none"> • The printer enters Sleep mode after one minute of inactivity. • When the printer enters Sleep mode, the printer control panel display and the standard exit bin lights are turned off. • If scanning is supported, then the scanner lamps are activated only when a scan job is started. |
| Energy/Paper | Use all the settings associated with Energy mode and Paper mode. |
| Paper | <ul style="list-style-type: none"> • Enable the automatic duplex feature. • Turn off print log features. |

Reducing printer noise

To select a Quiet Mode setting using the Embedded Web Server:

1 Type the printer IP address into the address field of your Web browser.

If you do not know the IP address of the printer, you can:

- View the IP address on the printer control panel in the TCP/IP section under the Networks/Ports menu.
- Print a network setup page or the menu settings pages and locate the IP address in the TCP/IP section.

2 Click **Settings > General Settings > Quiet Mode > select a setting > Submit.**

| Choose | To |
|---|--|
| Off Note: Selecting Photo from the driver may disable Quiet Mode and provide better print quality and full speed printing. | Use factory default settings. This setting supports the performance specifications of your printer. |
| On | Reduce printer noise. <ul style="list-style-type: none"> • Print jobs will process at a reduced speed. • Printer engine motors do not start until a document is ready to print. There will be a short delay before the first page is printed. • If your printer has faxing capability, fax sounds are reduced or disabled, including those made by the fax speaker and ringer. The fax is placed in standby mode. • The alarm control and cartridge alarm sounds are turned off. • The printer will ignore the Advance Start command. |

Adjusting Sleep Mode

To save energy, you can decrease the number of minutes before the printer enters Sleep Mode.

Available settings range from 1–240 minutes. The factory default setting is 30 minutes.

Using the Embedded Web Server

1 Type the printer IP address into the address field of your Web browser.

If you do not know the IP address of the printer, you can:

- View the IP address on the printer control panel in the TCP/IP section under the Networks/Ports menu.
- Print a network setup page or the menu settings pages and locate the IP address in the TCP/IP section.

2 Click **Settings > General Settings > Timeouts**.

3 In the Sleep Mode field, enter the number of minutes you want the printer to wait before it enters Sleep Mode.

4 Click **Submit**.

Using the printer control panel

1 From the home screen, navigate to:

 > **Settings > General Settings > Timeouts**

2 Touch the arrows next to **Sleep Mode** to select the number of minutes you want the printer to wait before it enters Sleep Mode.

3 Touch **Submit**.

Using Hibernate Mode

Hibernate is an ultra-low power operating mode. When operating in Hibernate mode, the printer is essentially off, and all other systems and devices are powered down safely.

Note: The Hibernate and Sleep modes can be scheduled.

Using the Embedded Web Server

- 1 Type the printer IP address in the address field of your Web browser.

If you do not know the IP address of the printer, then you can:

- View the IP address on the printer control panel in the TCP/IP section under the Networks/Ports menu.
- Print a network setup page or the menu settings pages and locate the IP address in the TCP/IP section.

- 2 Click **Settings > General Settings > Sleep Button Settings**.
- 3 From the Press Sleep Button or Press and Hold Sleep Button drop-down, select **Hibernate**.
- 4 Click **Submit**.

Using the printer control panel

- 1 From the home screen, navigate to:

 > **Settings > General Settings > Press Sleep Button or Press and Hold Sleep Button > Hibernate**

- 2 Touch **Submit**.

Adjusting the brightness of the display

To save energy, or if you have trouble reading your display, then adjust the brightness of the display.

Available settings range from 20–100. The factory default setting is 100.

Using the Embedded Web Server

- 1 Type the printer IP address into the address field of your Web browser.

If you do not know the IP address of the printer, you can:

- View the IP address on the printer control panel in the TCP/IP section under the Networks/Ports menu.
- Print a network setup page or the menu settings pages and locate the IP address in the TCP/IP section.

- 2 Click **Settings > General Settings**.
- 3 In the Screen Brightness field, enter the brightness percentage you want for the display.
- 4 Click **Submit**.

Using the printer control panel

- 1 From the home screen, navigate to:

 > **Settings > General Settings**

- 2 Touch the arrows until **Screen Brightness** appears, and then select a setting.
- 3 Touch **Submit**.

Setting the standard exit bin light

To save energy, you can dim or turn off the output lighting for the standard exit bin.

Available settings are Off, Dim, and Bright.

The factory default setting for Normal/Standby Mode is Bright.

When Eco-Mode is set to Energy or Energy/Paper, then the light setting is Dim.

When in Sleep Mode, then the light is off.

Using the Embedded Web Server

- 1 Type the printer IP address into the address field of your Web browser.

If you do not know the IP address of the printer, then you can:

- View the IP address on the printer control panel in the TCP/IP section under the Networks/Ports menu.
- Print a network setup page or the menu settings pages and locate the IP address in the TCP/IP section.

- 2 Click **Settings > General Settings > Output Lighting**.

- 3 From the Normal/Standby Mode list, select the light setting for the standard exit bin when in Ready or Standby mode.

- 4 Click **Submit**.

Using the printer control panel

- 1 From the home screen, navigate to:

 > **Settings > General Settings > Output Lighting**

- 2 Touch the arrow button next to **Normal/Standby Mode** to select the light settings for the standard exit bin when in Ready or Standby Mode.

- 3 Touch **Submit**.

Recycling

Lexmark provides collection programs and environmentally progressive approaches to recycling. For more information, see:

- The Notices chapter
- The Environmental Sustainability section of the Lexmark Web site at www.lexmark.com/environment
- The Lexmark recycling program at www.lexmark.com/recycle

Recycling Lexmark products

To return Lexmark products for recycling:

- 1 Go to www.lexmark.com/recycle.
- 2 Find the product type you want to recycle, and then select your country or region from the list.
- 3 Follow the instructions on the computer screen.

Note: Printer supplies and hardware not listed in the Lexmark collection program may be recycled through your local recycling center. Contact your local recycling center to determine the items they accept.

Recycling Lexmark packaging

Lexmark continually strives to minimize packaging. Less packaging helps to ensure that Lexmark printers are transported in the most efficient and environmentally sensitive manner and that there is less packaging to dispose of. These efficiencies result in fewer greenhouse emissions, energy savings, and natural resource savings.

Lexmark cartons are 100% recyclable where corrugated recycling facilities exist. Facilities may not exist in your area.

The foam used in Lexmark packaging is recyclable where foam recycling facilities exist. Facilities may not exist in your area.

When you return a cartridge to Lexmark, you can reuse the box that the cartridge came in. Lexmark will recycle the box.

Returning Lexmark cartridges for reuse or recycling

Lexmark Cartridge Collection Program diverts millions of Lexmark cartridges from landfills annually by making it both easy and free for Lexmark customers to return used cartridges to Lexmark for reuse or recycling. One hundred percent of the empty cartridges returned to Lexmark are either reused or demanufactured for recycling. Boxes used to return the cartridges are also recycled.

To return Lexmark cartridges for reuse or recycling, follow the instructions that came with your printer or cartridge and use the prepaid shipping label. You can also do the following:

- 1 Go to www.lexmark.com/recycle.
- 2 From the Toner Cartridges section, select your country or region.
- 3 Follow the instructions on the computer screen.

Loading paper and specialty media

This section explains how to load the 550-sheet trays, the 2,000-sheet tray, and the multipurpose feeder. It also includes information about paper orientation, setting the Paper Size and Paper Type, and linking and unlinking trays.

Setting the paper size and type

The Paper Size setting is automatically sensed according to the position of the paper guides in each tray except the multipurpose feeder. The Paper Size setting for the multipurpose feeder must be set manually from the Paper Size menu. The Paper Type setting must be set manually for all trays that do not contain plain paper.

From the home screen navigate to:



> **Paper Menu** > **Paper Size/Type** > select a tray > select the paper size or type > **Submit**

Configuring Universal paper settings

The Universal Paper Size is a user-defined setting that lets you print on paper sizes that are not preset in the printer menus. Set the Paper Size for the specified tray to Universal when the size you want is not available from the Paper Size menu. Then, specify all of the following Universal size settings for your paper:

- Units of Measure
- Portrait Width
- Portrait Height

Notes:

- The largest supported Universal size is 216 x 1219 mm (8.5 x 48 in.).
- The smallest supported Universal size is 76 x 127 mm (3 x 5 in.) and loaded in the multipurpose feeder only.

1 From the home screen, navigate to:



> **Paper Menu** > **Universal Setup** > **Units of Measure** > select a unit of measure

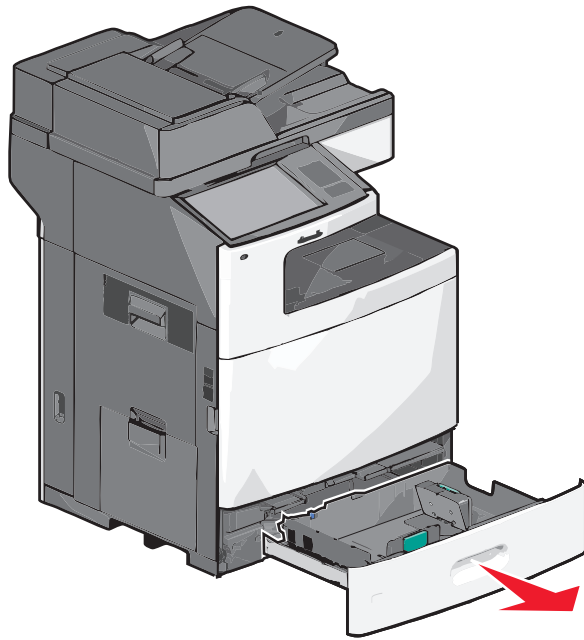
2 Touch **Portrait Width** or **Portrait Height** > select the width or height > **Submit**

Loading the standard or optional 550-sheet tray

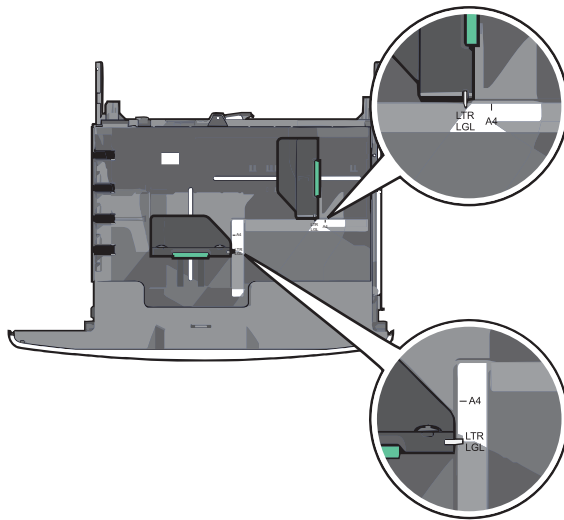
The printer has one standard 550-sheet tray (Tray 1), and may have one or more optional 550-sheet trays. All 550-sheet trays support the same paper sizes and types.

⚠ CAUTION—POTENTIAL INJURY: To reduce the risk of equipment instability, load each paper drawer or tray separately. Keep all other drawers or trays closed until needed.

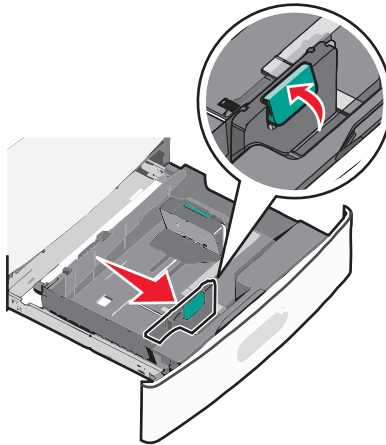
- 1 Pull the tray out.



Notice the size indicators on the bottom of the tray. Use these indicators to help position the length and width guides.

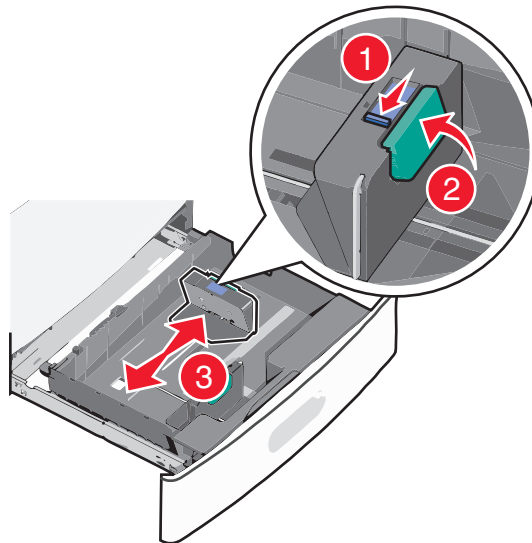


- 2 Squeeze and then slide the width guide to the correct position for the paper size you are loading.

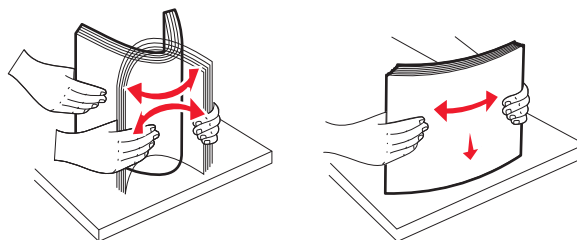


- 3 Squeeze and then slide the length guide to the correct position for the paper size you are loading.

Note: The length guide has a locking device. To unlock, push the button on top of the length guide backward. To lock, push the button forward when a length has been selected.



- 4 Flex the sheets back and forth to loosen them. Do not fold or crease the paper. Straighten the edges on a level surface.

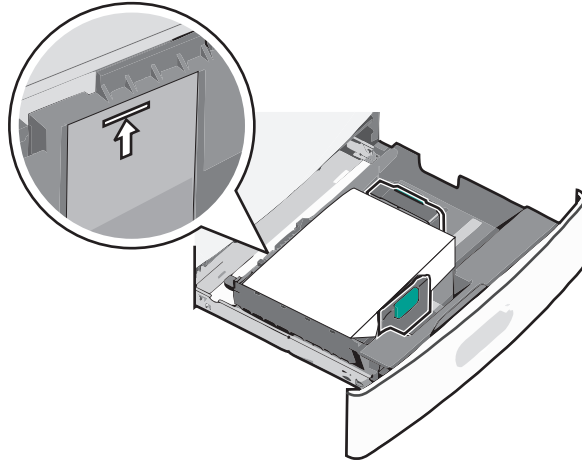


- 5 Load the paper stack with the recommended print side faceup.

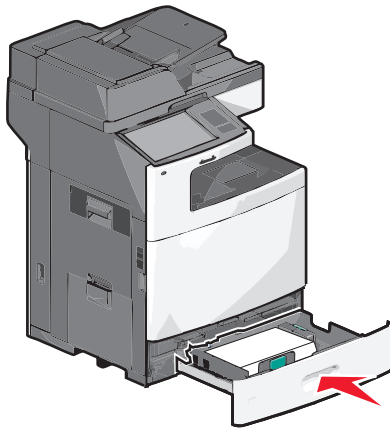
Notes:

- Place the print side facedown for duplex printing.

- Place pre-punched paper with the holes toward the front of the tray.
- Place letterheads faceup with the header on the left side of the tray.
- Place letterheads facedown with the header on the right side of the tray for duplex printing.
- Make sure the paper is below the maximum fill line located on the edge of the paper tray. Overloading the tray can cause paper jams and possible printer damage.



6 Insert the tray.



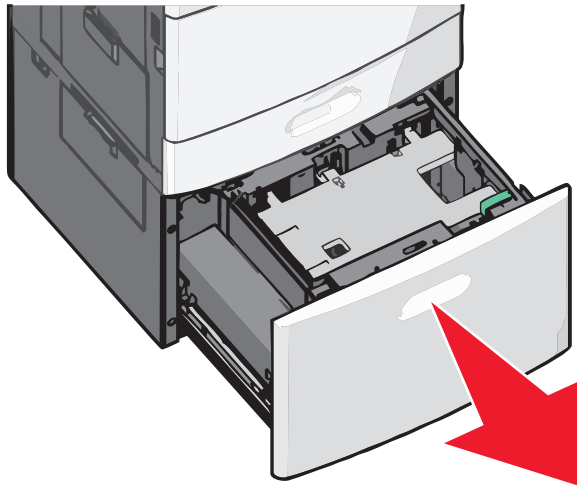
7 From the printer control panel, verify the Paper Size and Paper Type for the tray based on the paper you loaded.

Loading the 2000-sheet high-capacity feeder

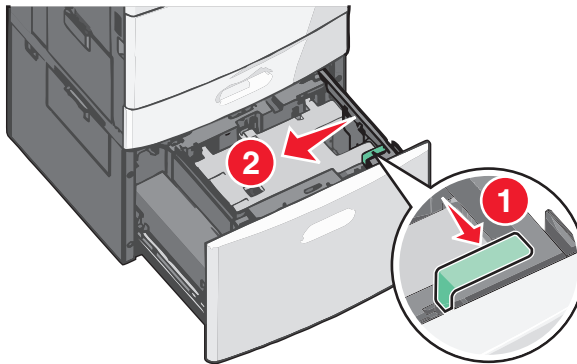
The high-capacity feeder can hold up to 2,000 sheets of A4-, letter-, or legal-size paper (80 g/m² or 20 lb).

⚠ CAUTION—POTENTIAL INJURY: To reduce the risk of equipment instability, load each paper drawer or tray separately. Keep all other drawers or trays closed until needed.

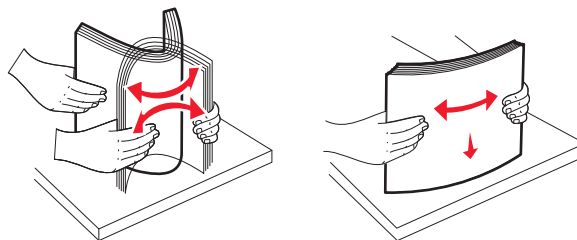
- 1 Pull the tray out.

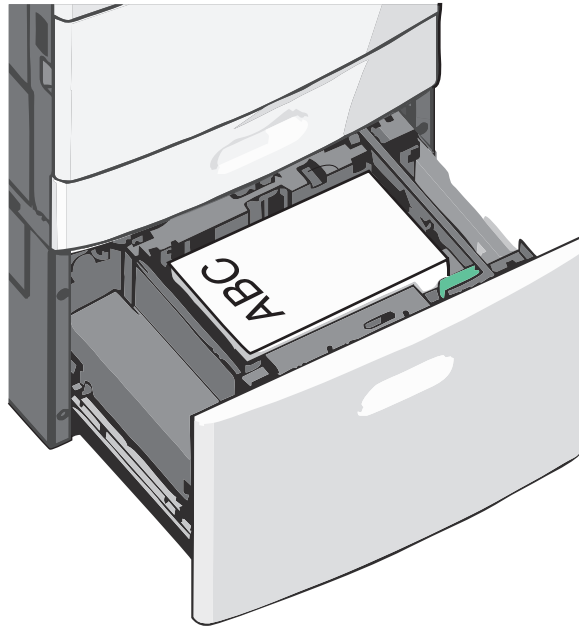


- 2 Adjust the width guide as necessary.

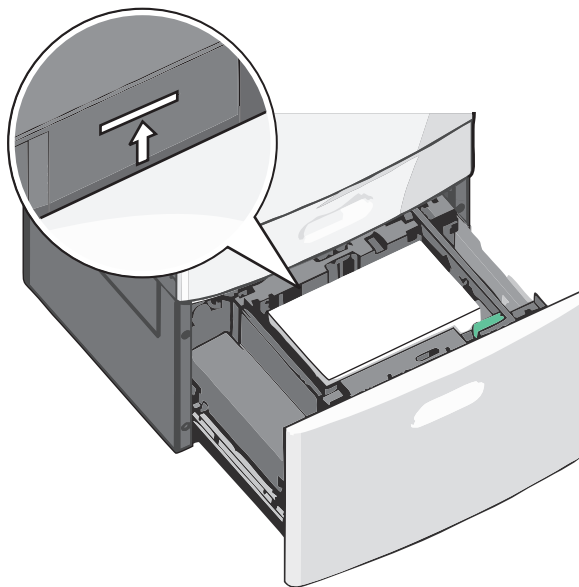


- 3 Flex the sheets back and forth to loosen them. Do not fold or crease the paper. Straighten the edges on a level surface.



4 Load paper into the tray with the print side faceup.

Note: Make sure the paper is below the maximum fill line located on the edge of the paper tray. Overloading the tray can cause paper jams.

**Notes:**

- Place pre-punched paper with the holes toward the front of the tray.
- Place letterheads faceup with the header on the left side of the tray.
- Place letterheads facedown with the header on the right side of the tray for duplex printing.

5 Insert the tray.

Loading the multipurpose feeder

The multipurpose feeder can hold several sizes and types of print media, such as transparencies, labels, card stock, and envelopes. It can be used for single-page or manual printing, or as an additional tray.

The multipurpose feeder can hold approximately:

- 100 sheets of 75-g/m² (20-lb) paper
- 10 envelopes
- 75 transparencies

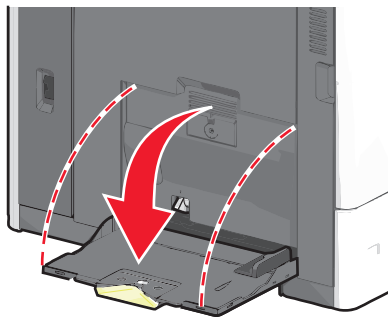
The multipurpose feeder accepts paper or specialty media within the following dimensions:

- Width—89 mm (3.5 in.) to 229 mm (9.02 in.)
- Length—127 mm (5 in.) to 1270 mm (50 in.)

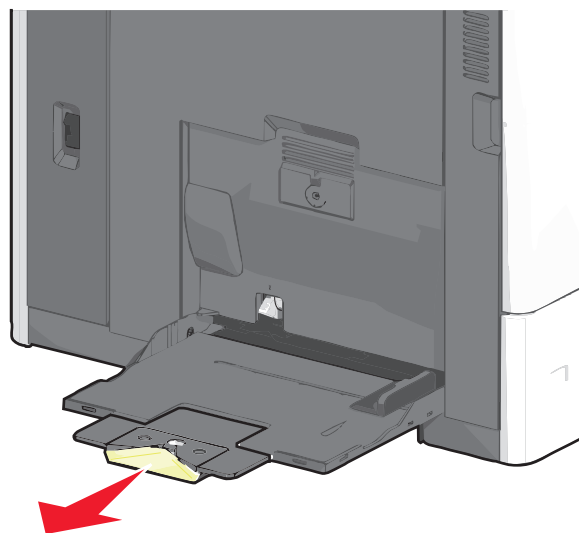
Note: Maximum width and length can be applied only to short-edge feeding.

Note: Do not add or remove paper or specialty media when the printer is printing from the multipurpose feeder or when the printer control panel indicator light is blinking. Doing so may cause a jam.

- 1 Pull down the multipurpose feeder door.

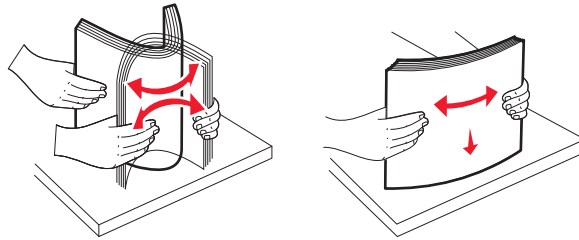


- 2 For paper or specialty media that is longer than letter-size paper, gently pull the extension until it is fully extended.

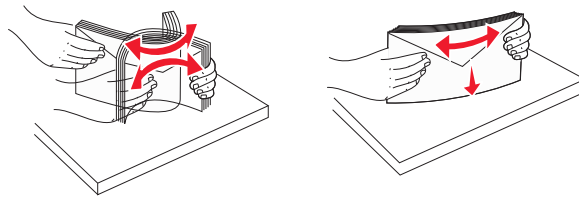


- 3 Flex the sheets of paper or specialty media back and forth to loosen them. Do not fold or crease them. Straighten the edges on a level surface.

Paper

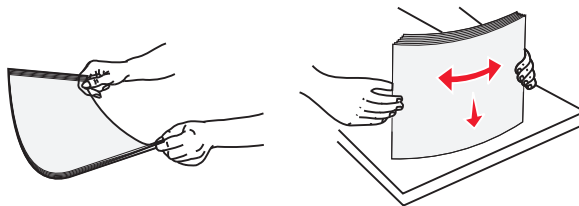


Envelopes

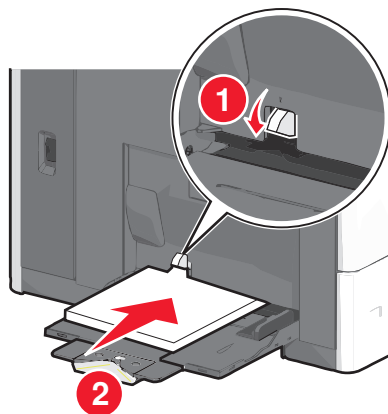


Transparencies

Note: Avoid scratching or touching the print side.



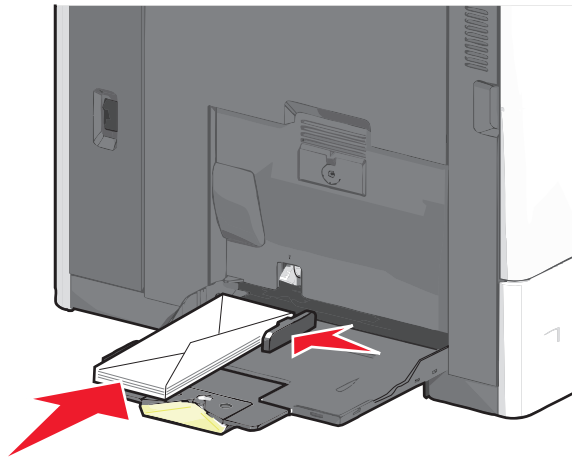
- 4** Push the paper pick tab, and then load the paper or specialty media. Slide the stack gently into the multipurpose feeder until it comes to a stop, and then release the paper pick tab.



Warning—Potential Damage: Pulling the paper out, without pushing the paper pick tab first, may cause jams or the paper pick tab to break.

- Load paper and transparencies with the recommended print side facedown and the short edge entering the printer first.
- For duplex letterhead printing, place the letterhead faceup and the header entering the printer last.

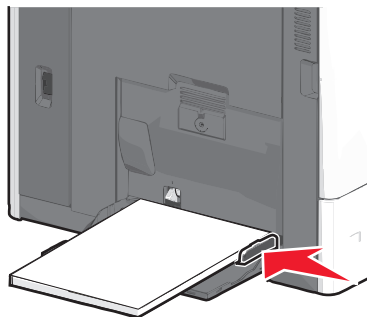
- Load envelopes with the flap side up and to the right.



Warning—Potential Damage: Never use envelopes with stamps, clasps, snaps, windows, coated linings, or self-stick adhesives. These envelopes may severely damage the printer.

Notes:

- Do not exceed the maximum stack height by forcing paper or transparencies under the stack height limiter.
 - Load only one size and type of paper at a time.
- 5** Adjust the width guide to lightly touch the edge of the stack. Make sure the paper or specialty media fits loosely in the multipurpose feeder, lies flat, and is not bent or wrinkled.



- 6** From the printer control panel, set the Paper Size and Paper Type for the multipurpose feeder (MP Feeder Size and MP Feeder Type) based on the paper or specialty media loaded.

Linking and unlinking trays

Linking trays

Tray linking is useful for large print jobs or multiple copies. When one linked tray is empty, paper feeds from the next linked tray. When the Paper Size and Paper Type settings are the same for any trays, the trays are automatically linked.

The printer automatically senses the Paper Size setting according to the position of the paper guides in each tray except the standard 550-sheet tray and the multipurpose feeder. The printer can sense A4, A5, JIS B5, Letter, Legal, Executive, and Universal paper sizes. The multipurpose feeder and trays using other paper sizes can be linked manually using the Paper Size menu available from the Paper Size/Type menu.

Note: To link the multipurpose feeder, Configure MP must be set to Cassette in the Paper menu in order for MP Feeder Size to appear as a menu item.

The Paper Type setting must be set for all trays from the Paper Type menu available from the Paper Size/Type menu.

Unlinking trays

Note: Trays that do not have the same settings as any other tray are not linked.

Change one of the following tray settings:

- Paper Type

Paper Type names describe the paper characteristics. If the name that best describes your paper is used by linked trays, assign a different Paper Type name to the tray, such as Custom Type [x], or define your own custom name.

- Paper Size

Load a different paper size to automatically change the Paper Size setting for a tray. Paper Size settings for the multipurpose feeder are not automatic; they must be set manually from the Paper Size menu.

Warning—Potential Damage: Do not assign a Paper Type name that does not accurately describe the type of paper loaded in a tray. The temperature of the fuser varies according to the specified Paper Type. Prints may not be properly processed if an inaccurate Paper Type is selected.

Linking exit bins

Link exit bins to create a single output source. The printer automatically uses the next available bin as the output source.

The standard exit bin holds up to 550 sheets of 20-lb paper. If you need additional output capacity, you can purchase other optional exit bins.

Note: Not all exit bins support every paper size and type.

1 From the home screen, navigate to:

 > Paper Menu > Bin Setup

2 Touch the bin or bins you want to link, and then touch **Configure Bins > Link**.

Creating a custom name for a paper type

If the printer is on a network, you can use the Embedded Web Server to define a name other than Custom Type [x] for each of the custom paper types loaded into the printer.

1 Type the printer IP address into the address field of your Web browser.

Note: If you do not know the IP address of the printer, then you can:

- View the IP address on the printer control panel in the TCP/IP section under the Networks/Ports menu.
- Print a network setup page or the menu settings pages and locate the IP address in the TCP/IP section.

2 Click **Settings** > **Paper Menu** > **Custom Name** > type a name > **Submit**.

Note: This custom name will replace the Custom Type [x] name under the Custom Types and Paper Size and Type menus.

3 Click **Custom Types** > select a paper type > **Submit**.

Assigning a custom paper type name

Assign a custom paper type name to a tray when linking or unlinking trays.

From the home screen, navigate to:



> **Paper Menu** > **Paper Size/Type** > select a custom paper type name > select a tray > **Submit**

Configuring a custom name

If the printer is on a network, then you can use the Embedded Web Server to define a name other than Custom Type [x] for each of the custom paper types loaded into the printer.

1 Type the printer IP address in the address field of your Web browser.

Note: If you do not know the IP address of the printer, then you can:

- View the IP address on the printer control panel in the TCP/IP section under the Networks/Ports menu.
- Print a network setup page or the menu settings pages and locate the IP address in the TCP/IP section.

2 Click **Settings** > **Paper Menu** > **Custom Types** > select the custom name you want to configure > select a paper or specialty media type > **Submit**.

Paper and specialty media guidelines

Paper guidelines

Paper characteristics

The following paper characteristics affect print quality and reliability. Consider these characteristics when evaluating new paper stock.

Weight

The printer can automatically feed paper weights from 60 to 176-g/m² (16 to 47-lb) bond grain long. Paper lighter than 60 g/m² (16 lb) might not be stiff enough to feed properly, causing jams. For best performance, use 75-g/m² (20-lb) bond grain long paper. For paper smaller than 182 x 257 mm (7 x 10 in.), we recommend 90-g/m² (24-lb) or heavier paper.

Note: Duplex is supported only for 75–176-g/m² (20–47-lb) bond paper.

Curl

Curl is the tendency for paper to curl at its edges. Excessive curl can cause paper feeding problems. Curl can occur after the paper passes through the printer, where it is exposed to high temperatures. Storing paper unwrapped in hot, humid, cold, or dry conditions, even in the trays, can contribute to paper curling prior to printing and can cause feeding problems.

Smoothness

Paper smoothness directly affects print quality. If paper is too rough, the toner cannot fuse to it properly. If paper is too smooth, it can cause paper feeding or print quality issues. Always use paper between 100 and 300 Sheffield points; however, smoothness between 150 and 200 Sheffield points produces the best print quality.

Moisture content

The amount of moisture in paper affects both print quality and the ability of the printer to feed the paper correctly. Leave paper in its original wrapper until it is time to use it. This limits the exposure of paper to moisture changes that can degrade its performance.

Condition paper before printing by storing it in its original wrapper in the same environment as the printer for 24 to 48 hours before printing. Extend the time several days if the storage or transportation environment is very different from the printer environment. Thick paper may also require a longer conditioning period.

Grain direction

Grain refers to the alignment of the paper fibers in a sheet of paper. Grain is either *grain long*, running the length of the paper, or *grain short*, running the width of the paper.

For 60–135-g/m² (16–36-lb) bond paper, grain long paper is recommended. For papers heavier than 135 g/m², grain short is recommended.

Fiber content

Most high-quality xerographic paper is made from 100% chemically treated pulped wood. This content provides the paper with a high degree of stability resulting in fewer paper feeding problems and better print quality. Paper containing fibers such as cotton can negatively affect paper handling.

Selecting paper

Using appropriate paper prevents jams and helps ensure trouble-free printing.

To help avoid jams and poor print quality:

- *Always* use new, undamaged paper.
- Before loading paper, know the recommended print side of the paper. This information is usually indicated on the paper package.
- *Do not* use paper that has been cut or trimmed by hand.
- *Do not* mix paper sizes, types, or weights in the same source; mixing results in jams.
- *Do not* use coated papers unless they are specifically designed for electrophotographic printing.

Selecting preprinted forms and letterhead

Use these guidelines when selecting preprinted forms and letterhead:

- Use grain long for 60 to 90 g/m² (16 to 24 lb) weight paper.
- Use only forms and letterhead printed using an offset lithographic or engraved printing process.
- Avoid papers with rough or heavily textured surfaces.

Use papers printed with heat-resistant inks designed for use in xerographic copiers. The ink must be able to withstand temperatures up to 190°C (374°F) without melting or releasing hazardous emissions. Use inks that are not affected by the resin in toner. Inks that are oxidation-set or oil-based generally meet these requirements; latex inks might not. When in doubt, contact the paper supplier.

Preprinted papers such as letterhead must be able to withstand temperatures up to 190°C (374°F) without melting or releasing hazardous emissions.

Using recycled paper and other office papers

As an environmentally conscientious company, Lexmark supports the use of recycled paper produced specifically for use in laser (electrophotographic) printers.

While no blanket statement can be made that all recycled paper will feed well, Lexmark consistently tests papers that represent recycled cut size copier papers available on the global market. This scientific testing is conducted with rigor and discipline. Many factors are taken into consideration both separately and as a whole, including the following:

- Amount of post-consumer waste (Lexmark tests up to 100% post-consumer waste content.)
- Temperature and humidity conditions (Testing chambers simulate climates from all over the world.)
- Moisture content (Business papers should have low moisture: 4–5%.)
- Bending resistance and proper stiffness means optimum feeding through the printer.
- Thickness (impacts how much can be loaded into a tray)
- Surface roughness (measured in Sheffield units, impacts print clarity and how well toner fuses to the paper)
- Surface friction (determines how easily sheets can be separated)

- Grain and formation (impacts curling, which also influences the mechanics of how the paper behaves as it moves through the printer)
- Brightness and texture (look and feel)

Recycled papers are better than ever; however, the amount of recycled content in a paper affects the degree of control over foreign matter. And while recycled papers are one good path to printing in an environmentally responsible manner, they are not perfect. The energy required to de-ink and deal with additives such as colorants and “glue” often generates more carbon emissions than does normal paper production. However, using recycled papers enables better resource management overall.

Lexmark concerns itself with the responsible use of paper in general based on life cycle assessments of its products. To gain a better understanding of the impact of printers on the environment, the company commissioned a number of life cycle assessments and found that paper was identified as the primary contributor (up to 80%) of carbon emissions caused throughout the entire life of a device (from design to end-of-life). This is due to the energy-intensive manufacturing processes required to make paper.

Thus, Lexmark seeks to educate customers and partners on minimizing the impact of paper. Using recycled paper is one way. Eliminating excessive and unnecessary paper consumption is another. Lexmark is well-equipped to help customers minimize printing and copying waste. In addition, the company encourages purchasing paper from suppliers who demonstrate their commitment to sustainable forestry practices.

Lexmark does not endorse specific suppliers, although a converter’s product list for special applications is maintained. However, the following paper choice guidelines will help alleviate the environmental impact of printing:

- 1** Minimize paper consumption.
- 2** Be selective about the origin of wood fiber. Buy from suppliers who carry certifications such as the Forestry Stewardship Council (FSC) or The Program for the Endorsement of Forest Certification (PEFC). These certifications guarantee that the paper manufacturer uses wood pulp from forestry operators that employ environmentally and socially responsible forest management and restoration practices.
- 3** Choose the most appropriate paper for printing needs: normal 75 or 80 g/m² certified paper, lower weight paper, or recycled paper.

Unacceptable paper examples

Test results indicate that the following paper types are at risk for use with laser printers:

- Chemically treated papers used to make copies without carbon paper, also known as *carbonless papers*
- Preprinted papers with chemicals that may contaminate the paper
- Preprinted papers that can be affected by the temperature in the printer fuser
- Preprinted papers that require a registration (the precise location on the page) greater than ± 2.3 mm (± 0.9 in.), such as optical character recognition (OCR) forms. In some cases, registration can be adjusted with a software application to successfully print on these forms.)
- Coated papers (erasable bond), synthetic papers, thermal papers
- Rough-edged, rough or heavily textured surface papers or curled papers
- Recycled papers that fail EN12281:2002 (European testing)
- Paper weighing less than 60 g/m² (16 lb)
- Multiple part forms or documents

For more information about Lexmark, visit www.lexmark.com. General sustainability-related information can be found at the **Environmental Sustainability** link.

Storing paper

Use these paper storage guidelines to help avoid jams and uneven print quality:

- For best results, store paper where the temperature is 21°C (70°F) and the relative humidity is 40%. Most label manufacturers recommend printing in a temperature range of 18 to 24°C (65 to 75°F) with relative humidity between 40 and 60%.
- Store paper in cartons when possible, on a pallet or shelf, rather than on the floor.
- Store individual packages on a flat surface.
- Do not store anything on top of individual paper packages.

Supported paper sizes, types, and weights

The following tables provide information on standard and optional paper input sources and the types of paper they support.

Note: To use a paper size that is unlisted, configure a Universal Paper Size.

Supported paper sizes

Measurements apply to simplex (one-sided) printing only. For duplex (two-sided) printing, the minimum size is 139.7 x 210 mm (5.50 x 8.27 in.).

| Paper size | Dimensions | Standard 550-sheet tray (Tray 1) | Optional 550-sheet tray | Optional 2,000-sheet tray | Multipurpose feeder | Duplexer |
|------------------------|---------------------------------------|----------------------------------|-------------------------|---------------------------|---------------------|----------|
| A4 | 210 x 297 mm (8.27 x 11.7 in.) | ✓ | ✓ | ✓ | ✓ | ✓ |
| A5 | 148 x 210 mm (5.83 x 8.27 in.) | ✓ | ✓ | x | ✓ | ✓ |
| A6 | 105 x 148 mm (4.13 x 5.83 in.) | x | x | x | ✓ | x |
| JIS B5 | 182 x 257 mm (7.17 x 10.1 in.) | ✓ | ✓ | x | ✓ | ✓ |
| Letter | 215.9 x 279.4 mm (8.5 x 11 in.) | ✓ | ✓ | ✓ | ✓ | ✓ |
| Legal | 215.9 x 355.6 mm (8.5 x 14 in.) | ✓ | ✓ | ✓ | ✓ | ✓ |
| Executive | 184.2 x 266.7 mm (7.25 x 10.5 in.) | ✓ | ✓ | x | ✓ | ✓ |
| Oficio (México) | 215.9 x 340.4 mm (8.5 x 13.4 in.) | ✓ | ✓ | x | ✓ | ✓ |

¹ Supported by X790 models only.

² This formats the envelope size setting for 215.9 x 355.6 mm (8.5 x 14 in.) unless the size is specified by the software application.

| Paper size | Dimensions | Standard 550-sheet tray (Tray 1) | Optional 550-sheet tray | Optional 2,000-sheet tray | Multipurpose feeder | Duplexer |
|---|--|----------------------------------|-------------------------|---------------------------|---------------------|----------|
| Folio | 215.9 x 330.2 mm (8.5 x 13 in.) | ✓ | ✓ | X | ✓ | ✓ |
| Statement | 139.7 x 215.9 mm (5.5 x 8.5 in.) | ✓ | ✓ | X | ✓ | ✓ |
| Universal Note: Turn size sensing off to support universal sizes that are close to standard media sizes. | 148 x 210 mm to 215.9 x 355.6 mm (5.83 x 8.27 in. to 8.5 x 14 in.) | ✓ | ✓ | X | ✓ | ✓ |
| | 76.2 x 127 mm (3 x 5 in.) to 215.9 x 355.6 mm (8.5 x 14 in.) | X | X | X | ✓ | X |
| | 76.2 x 127 mm (3 x 5 in.) to 215.9 x 914.4 mm (8.5 x 36 in.) ¹ | X | X | X | ✓ | X |
| | 76.2 x 127 mm (3 x 5 in.) to 215.9 x 1219.2 mm (8.5 x 48 in.) ¹ | X | X | X | ✓ | X |
| 7 3/4 Envelope (Monarch) | 98.4 x 190.5 mm (3.875 x 7.5 in.) | X | X | X | ✓ | X |
| 9 Envelope | 98.4 x 226.1 mm (3.875 x 8.9 in.) | X | X | X | ✓ | X |
| Com 10 Envelope | 104.8 x 241.3 mm (4.12 x 9.5 in.) | X | X | X | ✓ | X |
| DL Envelope | 110 x 220 mm (4.33 x 8.66 in.) | X | X | X | ✓ | X |
| C5 Envelope | 162 x 229 mm (6.38 x 9.01 in.) | X | X | X | ✓ | X |
| B5 Envelope | 176 x 250 mm (6.93 x 9.84 in.) | X | X | X | ✓ | X |
| Other Envelope ² | 85.7 x 165 mm to 215.9 x 355.6 mm (3.375 x 6.50 in. to 8.5 x 14 in.) | X | X | X | ✓ | X |

¹ Supported by X790 models only.

² This formats the envelope size setting for 215.9 x 355.6 mm (8.5 x 14 in.) unless the size is specified by the software application.

Supported paper types and weights

The printer supports 60–176 g/m² (16–47 lb) paper weights for one-sided printing. Two-sided printing is supported on 64–176 g/m² (17–47 lb) paper weights.

Note: Labels, transparencies, envelopes, and card stock always print at reduced speed.

| Paper type | Standard 550-sheet tray (Tray 1) | Optional 550-sheet tray | Optional 2,000-sheet tray | Multipurpose feeder | Duplexer |
|--|----------------------------------|-------------------------|---------------------------|---------------------|----------|
| Paper <ul style="list-style-type: none"> • Plain • Recycled • Glossy • Heavy Glossy • Bond • Letterhead • Preprinted • Colored • Light • Heavy • Rough/Cotton • Custom Type [x] | ✓ | ✓ | ✓ | ✓ | ✓ |
| Card stock | ✓ | ✓ | X | ✓ | ✓ |
| Transparencies^{1, 2} | X | X | X | ✓ | X |
| Labels³ <ul style="list-style-type: none"> • Paper • Vinyl | ✓ | ✓ | X | ✓ | ✓ |
| Envelopes⁴ | X | X | X | ✓ | X |

¹ This media is supported only in the multipurpose feeder.

² Do not use inkjet or 3M CG3710 transparencies.

³ Paper labels are supported. Other media such as vinyl may show print quality defects in some environments, and prolonged vinyl label usage may reduce fuser life. For more information, see the *Card Stock & Label Guide* available on the Lexmark Web site at <http://support.lexmark.com>.

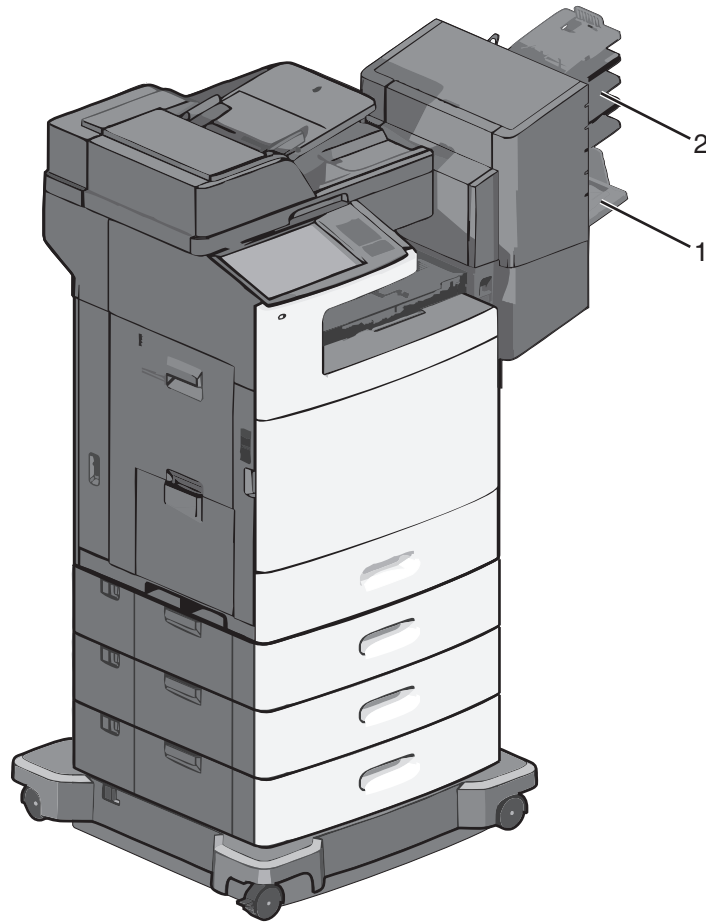
⁴ Use envelopes that lie flat when individually placed facedown on a table.

Supported finishing features

The printer supports the following finishing features:

- 500-Sheet Offset Stacker
- 500-Sheet Staple Finisher

- 500-Sheet Staple, Hole Punch Finisher
- 5-bin mailbox



| | |
|---|--------------|
| 1 | Standard bin |
| 2 | Finisher bin |

Standard bin

- The paper capacity is 500 sheets.
- Finishing options are not supported in this bin.
- Envelopes are routed here.

Finisher bin

- The paper capacity is 500 sheets.
- Envelopes, A5, A6 and statement paper sizes are not supported in this bin.

Finishing features

| Paper size | Two-hole punch | Three- or four-hole punch | 5-bin mailbox | 500-Sheet Staple Finisher |
|----------------------|----------------|---------------------------|---------------|---------------------------|
| A4 | ✓ | ✓ | ✓ | ✓ |
| A5 | X | X | ✓ | X |
| Executive | ✓ | ✓ | ✓ | ✓ |
| Folio | ✓ | X | ✓ | ✓ |
| JIS B5 | ✓ | ✓ | ✓ | ✓ |
| Legal | ✓ | ✓ | ✓ | ✓ |
| Letter | ✓ | ✓ | ✓ | ✓ |
| Statement | X | X | ✓ | ✓ |
| Universal | X | X | ✓ | ✓ |
| Envelopes (any size) | X | X | ✓ | X |
| Oficio | ✓ | ✓ | ✓ | ✓ |

Printing

This chapter covers printing, printer reports, and job cancelation. The selection and handling of paper and specialty media can affect how reliably documents print. For more information, see “Avoiding jams” on page 249 and “Storing paper” on page 82.

Printing a document

Printing a document

- 1 From the printer control panel Paper menu, set the Paper Type and Paper Size to match the loaded paper.
- 2 Send the print job:

For Windows users

- a With a document open, click **File > Print**.
- b Click **Properties, Preferences, Options, or Setup**.
- c Adjust settings as necessary.
- d Click **OK > Print**.

For Macintosh users

- a Customize the settings as needed in the Page Setup dialog:
 - 1 With a document open, choose **File > Page Setup**.
 - 2 Choose a paper size or create a custom size to match the loaded paper.
 - 3 Click **OK**.
- b Customize the settings as needed in the Print dialog:
 - 1 With a document open, choose **File > Print**.
If necessary, click the disclosure triangle to see more options.
 - 2 From the Print dialog and pop-up menus, adjust the settings as needed.
Note: To print on a specific paper type, adjust the paper type setting to match the loaded paper, or select the appropriate tray or feeder.
 - 3 Click **Print**.

Printing in black and white

From the home screen, navigate to:

 > **Settings > Print Settings > Quality Menu > Print Mode > Black Only > Submit**

Adjusting toner darkness

- 1 Type the printer IP address into the address field of your Web browser.

If you do not know the IP address of the printer, you can:

- View the IP address on the printer control panel in the TCP/IP section under the Networks/Ports menu.
- Print a network setup page or the menu settings pages and locate the IP address in the TCP/IP section.

2 Click **Settings > Print Settings > Quality Menu > Toner Darkness**.

3 Adjust the toner darkness setting.

4 Click **Submit**.

Printing from a mobile device

For the list of supported mobile devices and to download a compatible mobile printing application, visit <http://lexmark.com/mobile>.

Note: Mobile printing applications may also be available from your mobile device manufacturer.

Printing from a flash drive

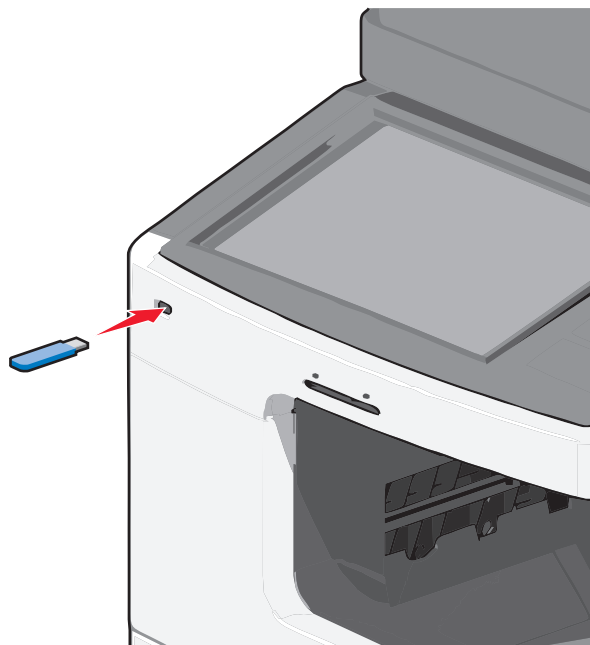
Printing from a flash drive

Notes:

- Before printing an encrypted PDF file, enter the file password from the printer control panel.
- You cannot print files for which you do not have printing permissions.

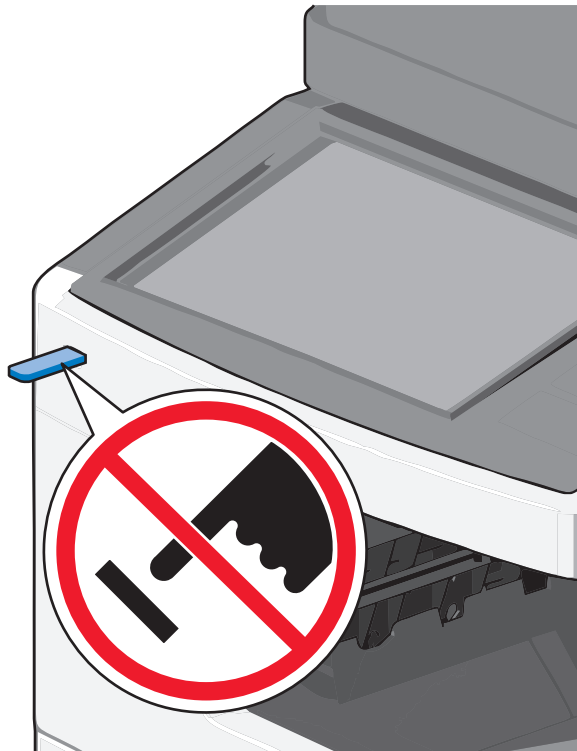
1 Insert a flash drive into the USB port.

The USB Drive home screen appears.



Notes:

- If you insert the flash drive when the printer requires attention, such as when a jam has occurred, then the printer ignores the flash drive.
- If you insert the flash drive while the printer is processing other print jobs, then **Busy** appears. After these print jobs are processed, you may need to view the held jobs list to print documents from the flash drive.



Warning—Potential Damage: Do not touch the USB cable, any network adapter, any connector, the memory device, or the printer in the areas shown while actively printing, reading, or writing from the memory device. A loss of data can occur.

- 2 From the printer control panel, touch **Print from USB**, and then select the document you want to print.
- 3 Touch the arrows to increase the number of copies to print, and then touch **Print**.

Notes:

- Do not remove the flash drive from the USB port until the document has finished printing.
- If you leave the flash drive in the printer after leaving the initial USB menu screen, then you can still print files from the flash drive as held jobs.

Supported flash drives and file types

| Flash drive | File type |
|--|--|
| <ul style="list-style-type: none"> Lexar JumpDrive 2.0 Pro (256MB, 512MB, or 1GB sizes) SanDisk Cruzer Mini (256MB, 512MB, or 1GB sizes) <p>Notes:</p> <ul style="list-style-type: none"> Hi-Speed USB flash drives must support the Full-Speed standard. Devices supporting only USB low-speed capabilities are not supported. USB flash drives must support the FAT (<i>File Allocation Tables</i>) system. Devices formatted with NTFS (<i>New Technology File System</i>) or any other file system are not supported. | <p>Documents:</p> <ul style="list-style-type: none"> .pdf .xps <p>Images:</p> <ul style="list-style-type: none"> .dcm .gif .JPEG .jpg .bmp .pcx .TIFF .tif .png |

Printing on specialty media

Tips on using letterhead

- Use letterhead designed specifically for laser printers.
- Print samples on the letterhead being considered for use before buying large quantities.
- Before loading letterhead, flex the sheets to prevent them from sticking together.
- Observe proper page orientation.

| Source | Print side | Paper orientation |
|--|--|---|
| <ul style="list-style-type: none"> – Standard 550-sheet tray – Optional 550-sheet tray – Optional 2000-sheet high-capacity feeder | Preprinted letterhead design is placed faceup. | The top edge of the sheet with the logo is placed at the left side of the tray. |
| Duplex (two-sided) printing from trays | Preprinted letterhead design is placed facedown. | The top edge of the sheet with the logo is placed at the right side of the tray. |
| Multipurpose feeder (simplex printing) | Preprinted letterhead design is placed facedown. | The top edge of the sheet with the logo should enter the multipurpose feeder first. |
| Multipurpose feeder (duplex printing) | Preprinted letterhead design is placed faceup. | The top edge of the sheet with the logo should enter the multipurpose feeder last. |
| <p>Note: Check with the manufacturer or vendor to determine whether the chosen preprinted letterhead is acceptable for laser printers.</p> | | |

Tips on using transparencies

- Print a test page on the transparencies being considered for use before buying large quantities.
- Feed transparencies from the multipurpose feeder only.
- From the Paper menu, set the MP Feeder Type to Transparency.
- Use transparencies designed specifically for laser printers. Transparencies must be able to withstand temperatures of 230°C (446°F) without melting, discoloring, offsetting, or releasing hazardous emissions.
- To prevent print quality problems, avoid getting fingerprints on the transparencies.
- Before loading transparencies, flex the stack to prevent sheets from sticking together.
- We recommend Lexmark transparencies. For ordering information, see the Lexmark Web site at www.lexmark.com.

Tips on using envelopes

Print samples on the envelopes being considered for use before buying large quantities.

- Use envelopes designed specifically for laser printers. Check with the manufacturer or vendor to ensure that the envelopes can withstand temperatures up to 220°C (446°F) without sealing, wrinkling, curling excessively, or releasing hazardous emissions.
- For best performance, use envelopes made from 90-g/m² (24-lb bond) paper or 25% cotton. All-cotton envelopes must not exceed 70-g/m² (20-lb bond) weight.
- Use only new envelopes from undamaged packages.
- To optimize performance and minimize jams, do not use envelopes that:
 - Have excessive curl or twist.
 - Are stuck together or damaged in any way.
 - Have windows, holes, perforations, cutouts, or embossing.
 - Have metal clasps, string ties, or folding bars.
 - Have an interlocking design.
 - Have postage stamps attached.
 - Have any exposed adhesive when the flap is in the sealed or closed position.
 - Have bent corners.
 - Have rough, cockle, or laid finishes.
- Adjust the width guides to fit the width of the envelopes.

Note: A combination of high humidity (over 60%) and high printing temperature may wrinkle or seal envelopes.

Tips on using labels

Print samples on the labels being considered for use before buying large quantities.

Note: Paper labels are supported. Other media such as vinyl may show print quality defects in some environments, and prolonged vinyl label usage may reduce fuser life.

For detailed information on label printing, characteristics, and design, see the *Card Stock & Label Guide* available on the Lexmark Web site at <http://support.lexmark.com>.

When printing on labels:

- Use labels designed specifically for laser printers. Check with the manufacturer or vendor to verify that:
 - The labels can withstand temperatures up to 190°C (374°F) without sealing, excessive curling, wrinkling, or releasing hazardous emissions.
 - Label adhesives, face sheet (printable stock), and topcoats can withstand up to 25 psi (172 kPa) pressure without delaminating, oozing around the edges, or releasing hazardous fumes.
- Do not use labels with slick backing material.
- Use full label sheets. Partial sheets may cause labels to peel off during printing, resulting in a jam. Partial sheets also contaminate the printer and the cartridge with adhesive, and could void the printer and cartridge warranties.
- Do not use labels with exposed adhesive.
- Do not print within 1 mm (0.04 in.) of the edge of the label, of the perforations, or between die-cuts of the label.
- Be sure adhesive backing does not reach to the sheet edge. Zone coating of the adhesive at least 1 mm (0.04 in.) away from edges is recommended. Adhesive material contaminates the printer and could void the warranty.
- If zone coating of the adhesive is not possible, remove a 1.6 mm (0.06 in.) strip on the leading and driver edge, and use a non-oozing adhesive.
- Portrait orientation works best, especially when printing bar codes.

Tips on using card stock

Card stock is heavy, single-ply specialty media. Many of its variable characteristics, such as moisture content, thickness, and texture, can significantly impact print quality. Print samples on the card stock being considered for use before buying large quantities.

When printing on card stock:

- Make sure the Paper Type is Card Stock.
- Select the appropriate Paper Texture setting.
- Be aware that preprinting, perforation, and creasing may significantly affect the print quality and cause jams or other paper-handling problems.
- Check with the manufacturer or vendor to ensure the card stock can withstand temperatures up to 190°C (374°F) without releasing hazardous emissions.
- Do not use preprinted card stock manufactured with chemicals that may contaminate the printer. Preprinting introduces semi-liquid and volatile components into the printer.
- Use grain short card stock when possible.

Printing confidential and other held jobs

Storing print jobs in the printer

You can set the printer to store print jobs in the printer memory until you start the print job from the printer control panel.

All print jobs that can be initiated by the user at the printer are called *held jobs*.

Note: Confidential, Verify, Reserve, and Repeat print jobs may be deleted if the printer requires extra memory to process additional held jobs.

| Print job type | Description |
|----------------|---|
| Confidential | Confidential lets you hold print jobs in the computer until you enter the PIN from the control panel. Note: The PIN is set from the computer. It must be four digits, using the numbers 0–9. |
| Verify | Verify lets you print one copy of a print job while the printer holds the remaining copies. It allows you to examine if the first copy is satisfactory. The print job is automatically deleted from the printer memory once all copies are printed. |
| Reserve | Reserve allows the printer to store print jobs for printing at a later time. The print jobs are held until deleted from the Help Jobs menu. |
| Repeat | Repeat prints <i>and</i> stores print jobs in the printer memory for reprinting. |

Printing confidential and other held jobs

Note: Confidential and Verify print jobs are automatically deleted from memory after printing. Repeat and Reserve jobs are held in the printer until you choose to delete them.

For Windows Users

- 1 With a document open, click **File > Print**, and then click **Properties, Preferences, Options, or Setup**.
- 2 Click **Other Options > Print and Hold**.
- 3 Select the print job type (Confidential, Repeat, Reserve, or Verify), and then assign a user name. For a confidential print job, also enter a four-digit PIN.
- 4 Click **OK** or **Print**.
- 5 Go to the printer to release the print job.

From the home screen:

- For confidential print jobs, navigate to:
Held jobs > your user name > Confidential Jobs > your PIN > your print job name > number of copies > Print
- For other print jobs, navigate to:
Held jobs > your user name > your print job name > number of copies > Print

For Macintosh users

- 1 With a document open, choose **File > Print**.
If necessary, click the disclosure triangle to see more options.
- 2 From the print options or Copies & Pages pop-up menu, choose **Job Routing**.
- 3 Select your print job type (Confidential, Repeat, Reserve, or Verify), and then assign a user name. For a confidential print job, also enter a four-digit PIN.
- 4 Click **OK** or **Print**.
- 5 Go to the printer to release the print job.

From the home screen:

- For confidential print jobs, navigate to:
Held jobs > your user name > **Confidential Jobs** > your PIN > your print job name > number of copies > **Print**
- For other print jobs, navigate to:
Held jobs > your user name > your print job name > number of copies > **Print**

Printing information pages

Printing a font sample list

1 From the home screen, navigate to:


 > **Reports** > **Print Fonts**

2 Touch **PCL Fonts** or **PostScript Fonts**.

Printing a directory list


A directory list shows the resources stored in a flash memory or on the printer hard disk.


From the home screen, navigate to:

 > **Reports** > **Print Directory**

Canceling a print job

Canceling a print job from the printer control panel

- 1 From the printer control panel, touch **Cancel Job** or press  on the keypad.
- 2 Touch the print job you want to cancel, and then touch **Delete Selected Jobs**.

Note: If you press  on the keypad, then touch **Resume** to return to the home screen.

Canceling a print job from the computer

For Windows users


- 1 Open the printers folder.

In Windows 8

From the Search charm, type **run**, and then navigate to:

Apps list > **Run** > type **control printers** > **OK**

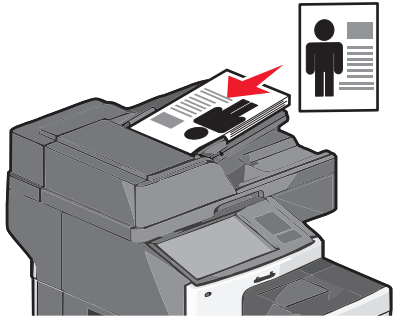
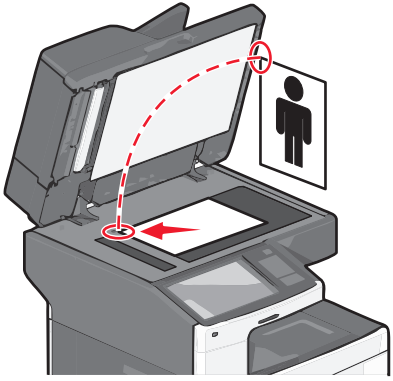
In Windows 7 or earlier

- a Click  or click **Start**, and then click **Run**.
 - b In the Start Search or Run dialog, type **control printers**.
 - c Press **Enter**, or click **OK**.
- 2 Double-click the printer icon.
 - 3 Select the print job you want to cancel.
 - 4 Click **Delete**.

For Macintosh users

- 1 From the Apple menu, navigate to either of the following:
 - **System Preferences > Print & Scan > select your printer > Open Print Queue**
 - **System Preferences > Print & Fax > select your printer > Open Print Queue**
- 2 From the printer window, select the print job you want to cancel, and then delete it.

Copying


| ADF | Scanner glass |
|---|--|
|  |  |
| <p>Use the ADF for multiple-page documents.</p> | <p>Use the scanner glass for single pages, small items (such as postcards or photos), transparencies, photo paper, or thin media (such as magazine clippings).</p> |

Making copies

Making a quick copy

- 1 Load an original document faceup, short edge first into the ADF or facedown on the scanner glass.

Note: Do not load postcards, photos, small items, transparencies, photo paper, or thin media (such as magazine clippings) into the ADF. Place these items on the scanner glass.
- 2 Adjust the paper guides when loading a document into the ADF.

Note: Make sure the size of the original document and the copy paper size are the same. Failure to set the proper size may result to a cropped image.
- 3 From the printer control panel, press  to start copying.

Copying using the ADF

- 1 Load an original document faceup, short edge first into the ADF.



Note: Do not load postcards, photos, small items, transparencies, photo paper, or thin media (such as magazine clippings) into the ADF. Place these items on the scanner glass.
- 2 Adjust the paper guides.
- 3 From the home screen, navigate to:

Copy > change the copy settings > **Copy It**

Copying using the scanner glass




- 1 Place an original document facedown on the scanner glass in the upper left corner.
- 2 From the home screen, navigate to:
Copy > change the copy settings > **Copy It**
- 3 If you have more pages to scan, then place the next document on the scanner glass, and then touch **Scan the Next Page**.
- 4 Touch **Finish the Job** to return to the home screen.

Copying film photos

- 1 Place a photo facedown on the upper left corner of the scanner glass.
- 2 From the home screen, navigate to:
Copy > **Content** > **Photo** >  > **Photo/Film** >  > **Copy It** > **Scan the Next Page** or **Finish the Job**

Copying on specialty media

Copying on transparencies

- 1 Load an original document faceup, short edge first into the ADF or facedown on the scanner glass.
Note: Do not load postcards, photos, small items, transparencies, photo paper, or thin media (such as magazine clippings) into the ADF. Place these items on the scanner glass.
- 2 If you are loading a document into the ADF, then adjust the paper guides.
- 3 From the home screen, navigate to:
Copy > **Copy from** > size of the original document > 
- 4 Touch **Copy to**, and then select the tray that contains transparencies, or touch **Manual Feeder Size**.
- 5 Load transparencies in the multipurpose feeder.
- 6 From the home screen, navigate to:
 > select the desired size of the transparencies > **Manual Feeder Type** >  > **Copy It**


Copying on letterhead

- 1 Load an original document faceup, short edge first into the ADF or facedown on the scanner glass.
Note: Do not load postcards, photos, small items, transparencies, photo paper, or thin media (such as magazine clippings) into the ADF. Place these items on the scanner glass.
- 2 If you are loading a document into the ADF, then adjust the paper guides.
- 3 From the home screen, navigate to:
Copy > **Copy from** > size of the original document > **Copy to** > **Manual Feeder**



- 4 Place the letterhead faceup, top edge first in the multipurpose feeder.
- 5 Select the size of the letterhead.
- 6 Navigate to:
Continue > Letterhead > Continue > Copy It

Customizing copy settings

Copying in black and white

- 1 Load an original document faceup, short edge first into the ADF or facedown on the scanner glass.
Note: Do not load postcards, photos, small items, transparencies, photo paper, or thin media (such as magazine clippings) into the ADF. Place these items on the scanner glass.
- 2 If you are loading a document into the ADF, then adjust the paper guides.
- 3 From the home screen, navigate to:
Copy > Allow color copies > Off >  > Submit

Copying to a different size

- 1 Load an original document faceup, short edge first into the ADF or facedown on the scanner glass.
Note: Do not load postcards, photos, small items, transparencies, photo paper, or thin media (such as magazine clippings) into the ADF. Place these items on the scanner glass.
- 2 If you are loading a document into the ADF, then adjust the paper guides.
- 3 On the home screen, touch **Copy**.
- 4 Touch **Copy from** > select the size of the original document > .
- 5 Touch **Copy to** > select the size of the copy > 
Note: The printer will scale the size automatically.
- 6 Touch **Copy It**.

Making copies using paper from a selected tray

- 1 Load an original document faceup, short edge first into the ADF or facedown on the scanner glass.
Note: Do not load postcards, photos, small items, transparencies, photo paper, or thin media (such as magazine clippings) into the ADF. Place these items on the scanner glass.
- 2 If you are loading a document into the ADF, then adjust the paper guides.
- 3 From the home screen, navigate to:
Copy > Copy from > size of the original document > Copy to

- 4 Touch **Manual Feeder** or select the tray that contains the paper type you want to use.

Note: If you choose Manual Feeder, then you will also need to select the paper size and type.

- 5 Touch **Copy It**.

Copying different paper sizes

Use the ADF to copy original documents with different paper sizes. Depending on the paper sizes loaded and the “Copy to” and “Copy from” settings, each copy is either printed on mixed paper sizes (Example 1) or scaled to fit a single paper size (Example 2).



Example 1: Copying on mixed paper sizes

- 1 Load an original document faceup, short edge first into the ADF or facedown on the scanner glass.

Note: Do not load postcards, photos, small items, transparencies, photo paper, or thin media (such as magazine clippings) into the ADF. Place these items on the scanner glass.

- 2 If you are loading a document into the ADF, then adjust the paper guides.

- 3 From the home screen, navigate to:

Copy > Copy from > Mixed Sizes >  > Copy to > Auto Size Match >  > Copy It

The scanner identifies the different paper sizes as they are scanned. Copies are printed on mixed paper sizes corresponding to the paper sizes of the original document.

Example 2: Copying on a single paper size

- 1 Load an original document faceup, short edge first into the ADF or facedown on the scanner glass.

Note: Do not load postcards, photos, small items, transparencies, photo paper, or thin media (such as magazine clippings) into the ADF. Place these items on the scanner glass.

- 2 If you are loading a document into the ADF, then adjust the paper guides.

- 3 From the home screen, navigate to:

Copy > Copy from > Mixed Sizes >  > Copy to > Letter >  > Copy It

The scanner identifies the different paper sizes as they are scanned, and then scales the mixed paper sizes to fit on the paper size selected.

Copying on both sides of the paper (duplexing)

- 1 Load an original document faceup, short edge first into the ADF or facedown on the scanner glass.


Note: Do not load postcards, photos, small items, transparencies, photo paper, or thin media (such as magazine clippings) into the ADF. Place these items on the scanner glass.

- 2 If you are loading a document into the ADF, then adjust the paper guides.

- 3 On the home screen, touch **Copy**.

- 4 From the Sides (Duplex) area, touch the button for your preferred duplexing method.

The first number represents sides of the original documents; the second number represents sides of the copy. For example, select 1-sided to 2-sided if you have 1-sided original documents and you want 2-sided copies.

- 5 Touch , and then **Copy It**.


Reducing or enlarging copies

Copies can be reduced to 25% of the original document size or enlarged to 400% of the original document size. The factory default setting for Scale is Auto. If you leave Scale set to Auto, the content of your original document will be scaled to fit the size of the paper onto which you are copying.

To reduce or enlarge a copy:

- 1 Load an original document faceup, short edge first into the ADF or facedown on the scanner glass.
Note: Do not load postcards, photos, small items, transparencies, photo paper, or thin media (such as magazine clippings) into the ADF. Place these items on the scanner glass.
- 2 If you are loading a document into the ADF, then adjust the paper guides.
- 3 On the home screen, touch **Copy**.
- 4 From the Scale area, touch the arrows to enlarge or reduce your copies.
Touching “Copy to” or “Copy from” after setting Scale manually changes the scale value back to Auto.
- 5 Touch **Copy It**.

Adjusting copy quality

- 1 Load an original document faceup, short edge first into the ADF or facedown on the scanner glass.
Note: Do not load postcards, photos, small items, transparencies, photo paper, or thin media (such as magazine clippings) into the ADF. Place these items on the scanner glass.
- 2 If you are loading a document into the ADF, then adjust the paper guides.
- 3 From the home screen, navigate to:
Copy > Content
- 4 Touch the button that best represents the content type of the document you are copying:
 - **Text**—Use when the content of the original document is mostly text or line art.
 - **Graphic**—Use when the original document is mostly business-type graphics such as pie charts, bar charts, and animations.
 - **Text/Photo**—Use when the original document is a mixture of text, graphics, and photos.
 - **Photo**—Use when the original document is mostly a photo or an image.
- 5 Touch .
- 6 Touch the button that best represents the content source of the document you are copying:
 - **Color Laser**—Use when the original document was printed using a color laser printer.
 - **Black/White**—Use when the original document was printed using a black/white laser printer.
 - **Inkjet**—Use when the original document was printed using an inkjet printer.

- **Photo/Film**—Use when the original document is a photo from film.
- **Magazine**—Use when the original document is from a magazine.
- **Newspaper**—Use when the original document is from a newspaper.
- **Press**—Use when the original document was printed using a printing press.
- **Other**—Use when the original document was printed using an alternate or unknown printer.

7 Touch  > **Copy It.**

Collating copies

If you print multiple copies of a document, then you can choose to print each copy as a set (collated) or to print the copies as groups of pages (not collated).

Collated



Not collated



By default, Collate is set to On. If you do not want to collate your copies, then change the setting to Off:

1 Load an original document faceup, short edge first into the ADF or facedown on the scanner glass.

Note: Do not load postcards, photos, small items, transparencies, photo paper, or thin media (such as magazine clippings) into the ADF. Place these items on the scanner glass.

2 If you are loading a document into the ADF, then adjust the paper guides.

3 From the home screen, navigate to:

Copy > enter the number of copies > **Collate** > **Off** >  > **Copy It**

Placing separator sheets between copies

1 Load an original document faceup, short edge first into the ADF or facedown on the scanner glass.

Note: Do not load postcards, photos, small items, transparencies, photo paper, or thin media (such as magazine clippings) into the ADF. Place these items on the scanner glass.

2 If you are loading a document into the ADF, then adjust the paper guides.

3 From the home screen, navigate to:


Copy > **Advanced Options** > **Separator Sheets**

Note: Collate must be set to On for the separator sheets to be placed between copies. If Collate is set to Off, then the separator sheets are added to the end of the print job.

4 Select one of the following:

- **Between Copies**
- **Between Jobs**

- **Between Pages**
- **None**

5 Touch , and then **Copy It**.

Copying multiple pages onto a single sheet

In order to save paper, you can copy either two or four consecutive pages of a multiple-page document onto a single sheet of paper.

Notes:

- The Paper Size must be set to Letter, Legal, A4, or JIS B5.
- The Copy Size must be set to 100%.

1 Load an original document faceup, short edge first into the ADF or facedown on the scanner glass.

Note: Do not load postcards, photos, small items, transparencies, photo paper, or thin media (such as magazine clippings) into the ADF. Place these items on the scanner glass.

2 If you are loading a document into the ADF, then adjust the paper guides.

3 From the home screen, navigate to:

Copy > Advanced Options > Paper Saver > select desired output >  > Copy It

Creating a custom copy job (job build)

The custom copy job or job build is used to combine one or more sets of original documents into a single copy job. Each set may be scanned using different job parameters. When a copy job is submitted and Custom Job is enabled, the scanner scans the first set of original documents using the supplied parameters, and then it scans the next set with the same or different parameters.

The definition of a set depends on the scan source:

- If you scan a document on the scanner glass, then a set consists of one page.
- If you scan multiple pages using the ADF, then a set consists of all scanned pages until the ADF becomes empty.
- If you scan one page using the ADF, then a set consists of one page.

For example:

1 Load an original document faceup, short edge first into the ADF or facedown on the scanner glass.

Note: Do not load postcards, photos, small items, transparencies, photo paper, or thin media (such as magazine clippings) into the ADF. Place these items on the scanner glass.

2 If you are loading a document into the ADF, then adjust the paper guides.

3 From the home screen, navigate to:

Copy > Options > Custom Job > On > Done > Copy It

When the end of a set is reached, the scan screen appears.


- 4 Load the next document faceup, short edge first into the ADF or facedown on the scanner glass, and then touch **Scan the Automatic Document Feeder** or **Scan the flatbed**.

Note: If required, change the job settings.

- 5 If you have another document to scan, then repeat the previous step. Otherwise, touch **Finish the job**.


Placing information on copies

Placing the date and time at the top of each page

- 1 Load an original document faceup, short edge first into the ADF or facedown on the scanner glass.
Note: Do not load postcards, photos, small items, transparencies, photo paper, or thin media (such as magazine clippings) into the ADF. Place these items on the scanner glass.
- 2 If you are loading a document into the ADF, then adjust the paper guides.
- 3 From the home screen, navigate to:
Copy > Advanced Options > Header/Footer
- 4 Pick an area of the page where you want to place the date and time.
- 5 Touch **Yes** or **No** >  > **Copy It**.

Placing an overlay message on each page

An overlay message can be placed on each page. The message choices are Urgent, Confidential, Copy, Custom or Draft. To place a message on the copies:

- 1 Load an original document faceup, short edge first into the ADF or facedown on the scanner glass.
Note: Do not load postcards, photos, small items, transparencies, photo paper, or thin media (such as magazine clippings) into the ADF. Place these items on the scanner glass.
- 2 If you are loading a document into the ADF, then adjust the paper guides.
- 3 From the home screen, navigate to:
Copy > Advanced Options > Overlay > select overlay message > .
- 4 Touch **Copy It**.

Canceling a copy job

Canceling a copy job while the document is in the ADF

When the ADF begins processing a document, the scanning screen appears. To cancel the copy job, touch **Cancel Job** on the touch screen.


A “Canceling scan job” screen appears. The ADF clears all pages in the ADF and cancels the job.


Canceling a copy job while copying pages using the scanner glass

Touch **Cancel Job** on the touch screen.

A “Canceling scan job” screen appears. Once the job is canceled, the copy screen appears.

Canceling a copy job while pages are being printed

- 1 From the printer control panel, touch **Cancel Job** or press  on the keypad.
- 2 Touch the job you want to cancel, and then touch **Delete Selected Jobs**.

Note: If you press  on the keypad, then touch **Resume** to return to the home screen.

Understanding the copy screens and options

Copy from

This option opens a screen where you can enter the paper size of the original document.

- Touch a paper size that matches the original document.
- Touch **Mixed Sizes** to copy an original document that contains mixed paper sizes with the same width.
- Touch **Auto Size Sense** to allow the scanner to automatically determine the size of the original document.

Copy to

This option opens a screen where you can enter the paper size and type on which your copies will be printed.

- Touch the paper size and type that matches the paper loaded.
- If the settings for “Copy from” and “Copy to” are different, then the printer automatically adjusts the Scale setting to accommodate the difference.
- If the paper type or size that you want to copy onto is not loaded in one of the trays, then touch **Manual Feeder**, and manually load the paper in the multipurpose feeder.
- When “Copy to” is set to Auto Size Match, each copy matches the paper size of the original document. If a matching paper size is not in one of the trays, then **Paper size not found** appears and prompts to load a paper in a tray or multipurpose feeder.

Copies

This option allows you to set the number of copies to be printed.

Scale

This option creates an image from your copy that is proportionally scaled anywhere between 25% and 400%. Scale can also be set for you automatically.

- When you want to copy from one size of paper to another, such as from legal-size to letter-size paper, setting the “Copy from” and “Copy to” paper sizes automatically changes the scale to keep all the original document information on your copy.
- Touch the left arrow to decrease the value by 1%; touch the right arrow to increase the value by 1%.
- Hold your finger on an arrow to make a continuous increment change.
- Hold your finger on an arrow for two seconds to cause the pace of the change to accelerate.

Darkness

This option adjusts how light or dark your copies will turn out in relation to the original document.

Sides (Duplex)

Use this option to select duplex settings. You can print copies on one or two sides, make two-sided copies (duplex) of two-sided original documents, make two-sided copies from one-sided original documents, or make one-sided copies (simplex) from two-sided original documents.

Collate

This option keeps the pages of a print job stacked in sequence when printing multiple copies of the document. The factory default setting for Collate is on; the output pages of your copies will be ordered (1,2,3) (1,2,3) (1,2,3). If you want all the copies of each page to remain together, turn Collate off, and your copies will be ordered (1,1,1) (2,2,2) (3,3,3).

Content

This option lets you set the original document type and source.

Choose content type from Text, Text/Photo, Photo, or Graphics.

- **Text**—Use when the content of the original document is mostly text or line art.
- **Graphics**—Use when the original document is mostly business-type graphics such as pie charts, bar charts, and animations.
- **Text/Photo**—Use when the original document is a mixture of text, graphics, and photos.
- **Photo**—Use when the original document is mostly a photo or an image.

Choose content source from Color Laser, Black/White Laser, Inkjet, Photo/Film, Magazine, Newspaper, Press, or Other.

- **Color Laser**—Use when the original document was printed using a color laser printer.
- **Black/White Laser**—Use when the original document was printed using a mono laser printer.
- **Inkjet**—Use when the original document was printed using an inkjet printer.
- **Photo/Film**—Use when the original document is a photo from film.
- **Magazine**—Use when the original document is from a magazine.
- **Newspaper**—Use when the original document is from a newspaper.

- **Press**—Use when the original document was printed using a printing press.
- **Other**—Use when the original document was printed using an alternate or unknown printer.

Color

This option enables or disables color for the scanned image.

Advanced Options

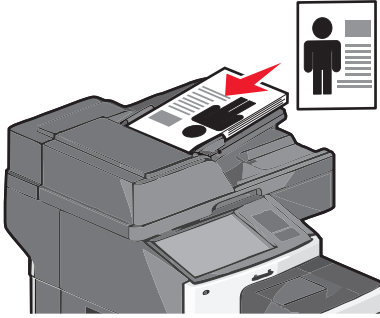
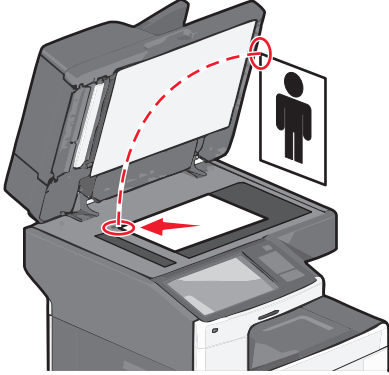
Touching the Advanced Options button opens a screen where you can change the following settings:

- **ADF Skew Fix**—Use to correct slight skew in the scanned image.
- **Advanced Duplex**—Use to specify the document orientation, whether documents are one-sided or two-sided, and how documents are bound.
Note: Some Advanced Duplex options are available only on select printers.
- **Advanced Imaging**—Use to change or adjust Auto Center, Background Removal, Color Balance, Color Dropout, Contrast, Mirror Image, Negative Image, Scan Edge to Edge, Shadow Detail, Sharpness, and Temperature settings before you copy the document.
- **Create Booklet**—Use to create a booklet. You can choose between 1-sided and 2-sided booklets.
Note: This option appears only when a print duplexer and printer hard disk are installed.
- **Cover Page Setup**—Use to set copy cover page and booklet cover page.
- **Custom Job**—Use to combine multiple scanning jobs into a single job.
- **Edge Erase**—Use to eliminate smudges or information around the edges of a document. You can choose to eliminate an equal area around all four sides of the paper, or pick a particular edge. Edge Erase will erase whatever is within the area selected, leaving nothing on that portion of the scan.
- **Header/Footer**—Use to turn on Date/Time, Page number, Bates number, or Custom text, and prints them in the specified header or footer location.
- **Margin Shift**—Use to increase the size of the margin of an specified distance by shifting the scanned image. This can be useful in providing space to bind or hole-punch copies. Use the increase or decrease arrows to set how much of a margin you want. If the additional margin is too large, then the copy will be cropped.
- **Overlay**—Use to create a watermark (or message) that overlays the content of your copy. You can choose between Urgent, Confidential, Copy, and Draft, or you can enter a custom message in the "Enter custom text" field. The word you pick will appear, faintly, in large print across each page.
Note: A custom overlay can also be created by your system support person. When a custom overlay is created, a button with an icon of that overlay will be available.
- **Paper Saver**—Use to print two or more sheets of an original document together on the same page. Paper Saver is also called N-up printing. The N stands for Number. For example, 2-up would print two pages of your document on a single page, and 4-up would print four pages of your document on a single page. Touching Print Page Borders adds or removes the outline border surrounding the original document pages on the output page.
- **Separator Sheets**—Use to place a blank piece of paper between copies, pages, or print jobs. The separator sheets can be drawn from a tray that contains a type or color of paper that is different from the paper your copies are printed on.

Save As Shortcut

This option allows the current settings to be saved as a shortcut by assigning a number.

E-mailing

| ADF | Scanner glass |
|---|--|
|  |  |
| <p>Use the ADF for multiple-page documents.</p> | <p>Use the scanner glass for single pages, small items (such as postcards or photos), transparencies, photo paper, or thin media (such as magazine clippings).</p> |

You can use the printer to e-mail scanned documents to one or more recipients. There are three ways to send an e-mail from the printer. You can type the e-mail address, use a shortcut number, or use the address book.

Getting ready to e-mail

Setting up the e-mail function

- 1 Type the printer IP address into the address field of your Web browser.

If you do not know the IP address of the printer, you can:

- View the IP address on the printer control panel in the TCP/IP section under the Networks/Ports menu.
- Print a network setup page or the menu settings pages and locate the IP address in the TCP/IP section.

- 2 Click **Settings**.
- 3 Under Default Settings, click **E-mail/FTP Settings**.
- 4 Click **E-mail Settings > Setup E-mail Server**.
- 5 Fill in the fields with the appropriate information.
- 6 Click **Submit**.

Configuring e-mail settings

- 1 Type the printer IP address into the address field of your Web browser.

If you do not know the IP address of the printer, you can:

- View the IP address on the printer control panel in the TCP/IP section under the Networks/Ports menu.
- Print a network setup page or the menu settings pages and locate the IP address in the TCP/IP section.

2 Click **Settings** > **E-mail/FTP Settings** > **E-mail Settings**.

3 Fill in the fields with the appropriate information.

4 Click **Submit**.

Creating an e-mail shortcut

Creating an e-mail shortcut using the Embedded Web Server

1 Type the printer IP address into the address field of your Web browser.

If you do not know the IP address of the printer, you can:

- View the IP address on the printer control panel in the TCP/IP section under the Networks/Ports menu.
- Print a network setup page or the menu settings pages and locate the IP address in the TCP/IP section.

2 Click **Settings**.

3 Under Other Settings, click **Manage Shortcuts** > **E-mail Shortcut Setup**.

4 Type a unique name for the recipient, and then enter the e-mail address.

Note: If you are entering multiple addresses, then separate each address with a comma (,).

5 Select the scan settings (Format, Content, Color, and Resolution).

6 Enter a shortcut number, and then click **Add**.

If you enter a number that is already in use, then you are prompted to select another number.

Creating an e-mail shortcut using the touch screen

1 From the home screen, navigate to:

E-mail > **Recipient** > type an e-mail address

To create a group of recipients, touch **Next address**, and then type the next recipient's e-mail address.

2 Touch .


3 Type a unique name for the shortcut, and then touch **Done**.

4 Verify that the shortcut name and number are correct, and then touch **OK**.



If the name or number is incorrect, then touch **Cancel**, and then reenter the information.

E-mailing a document


Sending an e-mail using the touch screen

- 1 Load an original document faceup, short edge first into the ADF or facedown on the scanner glass.
Note: Do not load postcards, photos, small items, transparencies, photo paper, or thin media (such as magazine clippings) into the ADF. Place these items on the scanner glass.
- 2 If you are loading a document into the ADF, then adjust the paper guides.
Note: Make sure the size of the original document and the copy paper size are the same. Failure to set the proper size may result to a cropped image.
- 3 From the home screen, navigate to:
E-mail > Recipient
- 4 Enter the e-mail address, or press  and then enter the shortcut number.
To enter additional recipients, touch **Next Address**, and then enter the address or shortcut number you want to add.
Note: You can also enter an e-mail address using the address book.
- 5 Touch **Done > Send It**.

Sending an e-mail using a shortcut number

- 1 Load an original document faceup, short edge first into the ADF or facedown on the scanner glass.
Note: Do not load postcards, photos, small items, transparencies, photo paper, or thin media (such as magazine clippings) into the ADF. Place these items on the scanner glass.
- 2 If you are loading a document into the ADF, then adjust the paper guides.
- 3 Press , enter the shortcut number using the keypad, and then touch .
To enter additional recipients, touch **Next address**, and then enter the address or shortcut number you want to add.
- 4 Touch **Send It**.

Sending an e-mail using the address book

- 1 Load an original document faceup, short edge first into the ADF or facedown on the scanner glass.
Note: Do not load postcards, photos, small items, transparencies, photo paper, or thin media (such as magazine clippings) into the ADF. Place these items on the scanner glass.
- 2 If you are loading a document into the ADF, then adjust the paper guides.
- 3 From the home screen, navigate to:
E-mail > Recipient(s) >  > enter the name of recipient > Browse shortcuts

- 4 Touch the name of the recipients.

To enter additional recipients, touch **Next address**, and then enter the address or shortcut number you want to add, or search the address book.

- 5 Touch **Done**.

Customizing e-mail settings

Adding e-mail subject and message information

- 1 Load an original document faceup, short edge first into the ADF or facedown on the scanner glass.
Note: Do not load postcards, photos, small items, transparencies, photo paper, or thin media (such as magazine clippings) into the ADF. Place these items on the scanner glass.
- 2 If you are loading a document into the ADF, then adjust the paper guides.
- 3 From the home screen, touch **E-mail**.
- 4 Type an e-mail address.
- 5 Touch **Options > Subject**.
- 6 Type the e-mail subject.
- 7 Touch **Done > Message**.
- 8 Type an e-mail message.
- 9 Touch **Done > E-mail It**.

Changing the output file type

- 1 Load an original document faceup, short edge first into the ADF or facedown on the scanner glass.
Note: Do not load postcards, photos, small items, transparencies, photo paper, or thin media (such as magazine clippings) into the ADF. Place these items on the scanner glass.
- 2 If you are loading a document into the ADF, then adjust the paper guides.
- 3 From the home screen, navigate to:
E-mail > Recipient > type an e-mail address > Send as
- 4 Touch the button that represents the file type you want to send.
 - **PDF**—Use this to create a single file with multiple pages, viewable with Adobe Reader. Adobe Reader is provided free by Adobe at www.adobe.com.
 - **Secure PDF**—Use this to create an encrypted PDF file that protects the file contents from unauthorized access.
 - **TIFF**—Use this to create multiple files or a single file. If Multi-page TIFF is turned off in the Settings menu of the Embedded Web Server, then TIFF saves one page in each file. The file size is usually larger than an equivalent JPEG.

- **JPEG**—Use this to create and attach a separate file for each page of your original document, viewable by most Web browsers and graphics programs.
- **XPS**—Use this to create a single XML Paper Specification (XPS) file with multiple pages, viewable using an Internet Explorer-hosted viewer and the .NET Framework, or by downloading a third-party standalone viewer.

5 Touch **E-mail It**.

Note: If you selected Secure PDF, you will be prompted to enter your password twice.

Canceling an e-mail

- When using the ADF, touch **Cancel Job** while **Scanning...** appears.
- When using the scanner glass, touch **Cancel Job** while **Scanning...** appears or while **Scan the Next Page / Finish the Job** appears.

Understanding e-mail options

Recipients

This option lets you enter the destination of your e-mail. You may enter multiple e-mail addresses.

Subject

This option lets you enter a subject line for your e-mail.

Message

This option lets you enter a message that will be sent with your scanned attachment.

File Name

This option lets you customize the attachment file name.

Original Size

This option opens a screen where you can choose the size of the documents you are going to e-mail.

- Touch a paper size button to select that size as the Original Size setting. The e-mail screen appears with the new setting displayed.
- When “Original Size” is set to Mixed Sizes, you can scan an original document that contains mixed paper sizes.
- When “Original Size” is set to Auto Size Sense, the scanner automatically determines the size of the original document.

Resolution

Adjusts the output quality of your e-mail. Increasing the image resolution increases the e-mail file size and the time needed to scan your original document. Image resolution can be decreased to reduce the e-mail file size.

Color

This option sets the output color for the scanned image. Touch to enable or disable color.

Content

This option lets you specify the content type and source of the original document.

Choose content type from Text, Text/Photo, Photo, or Graphics.

- **Text**—Use when the content of the original document is mostly text or line art.
- **Graphics**—Use when the original document is mostly business-type graphics such as pie charts, bar charts, and animations.
- **Text/Photo**—Use when the original document is a mixture of text, graphics, and photos.
- **Photo**—Use when the original document is mostly a photo or an image.

Choose content source from Color Laser, Black/White Laser, Inkjet, Photo/Film, Magazine, Newspaper, Press, or Other.

- **Color Laser**—Use when the original document was printed using a color laser printer.
- **Black/White Laser**—Use when the original document was printed using a mono laser printer.
- **Inkjet**—Use when the original document was printed using an inkjet printer.
- **Photo/Film**—Use when the original document is a photo from film.
- **Magazine**—Use when the original document is from a magazine.
- **Newspaper**—Use when the original document is from a newspaper.
- **Press**—Use when the original document was printed using a printing press.
- **Other**—Use when the original document was printed using an alternate or unknown printer.

Darkness

This option adjusts how light or dark your scanned documents will turn out in relation to the original document.

Send As

This option sets the output (PDF, TIFF, JPEG or XPS) for the scanned image.

- **PDF**—Creates a single file with multiple pages, viewable with Adobe Reader. Adobe Reader is provided free by Adobe at www.adobe.com.
- **Secure PDF**—Creates an encrypted PDF file that protects the file contents from unauthorized access
- **TIFF**—Creates multiple files or a single file. If Multi-page TIFF is turned off in the Settings menu of the Embedded Web Server, then TIFF saves one page in each file. The file size is usually larger than an equivalent JPEG.
- **JPEG**—Creates and attaches a separate file for each page of your original document, viewable by most Web browsers and graphics programs
- **XPS**—Creates a single XPS file with multiple pages, viewable using an Internet Explorer-hosted viewer and the .NET Framework, or by downloading a third party standalone viewer

Page Setup

This option lets you change the Sides (Duplex), Orientation, and Binding.

- **Sides (Duplex)**— Specifies if the original document is simplex (printed on one page) or duplex (printed on both sides). This also identifies what needs to be scanned for inclusion in the e-mail.
- **Orientation**— Specifies the orientation of the original document, and then changes **Sides** and **Binding** to match the orientation.
- **Binding**— Specifies if the original document is bound on the long-edge or short-edge side.

Scan Preview

This option displays the first page of the image before it is included in the e-mail. When the first page is scanned, the scanning is paused and a preview image appears.

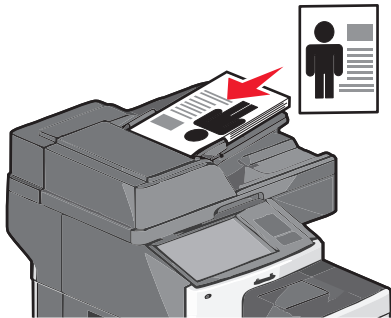
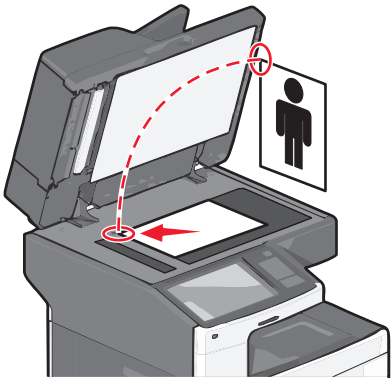
Advanced Options

Touching this button opens a screen where you can change ADF Skew Fix, Advanced Imaging, Custom Job, Edge Erase, and Transmission Log settings.

- **ADF Skew Fix**—This lets you correct slight skew in the scanned image.
- **Advanced Imaging**—This lets you adjust the Background Removal, Color Balance, Color Dropout, Contrast, JPEG Quality, Mirror Image, Negative Image, Scan Edge to Edge, Shadow Detail, Sharpness, and Temperature settings before you e-mail the document.
- **Custom Job**—This lets you combine multiple scanning jobs into a single job
- **Edge Erase**—This lets you eliminate smudges or information around the edges of a document. You can choose to eliminate an equal area around all four sides of the paper, or pick a particular edge. Edge Erase will erase whatever is within the area selected, leaving nothing on that portion of the scan.
- **Transmission Log**—This lets you print the transmission log or transmission error log

Faxing

Note: Fax capabilities may not be available on all printer models.

| ADF | Scanner glass |
|---|--|
|  |  |
| <p>Use the ADF for multiple-page documents.</p> | <p>Use the scanner glass for single pages, small items (such as postcards or photos), transparencies, photo paper, or thin media (such as magazine clippings).</p> |

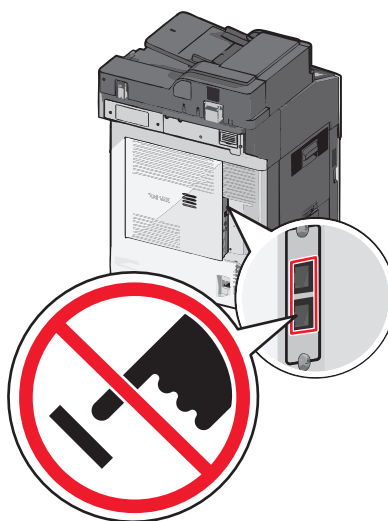
Getting the printer ready to fax

The following connection methods may not be applicable in all countries or regions.

Note: During the initial printer setup, deselect Fax and any other function you plan to set up later, and then touch **Continue**. The indicator light may blink red if the fax function is enabled and not fully set up.

CAUTION—SHOCK HAZARD: Do not use the fax feature during a lightning storm. Do not set up this product or make any electrical or cabling connections, such as the fax feature, power cord, or telephone, during a lightning storm.

Warning—Potential Damage: Do not touch cables or the printer in the area shown while actively sending or receiving a fax.



Initial fax setup

Choosing a fax connection


Notes:

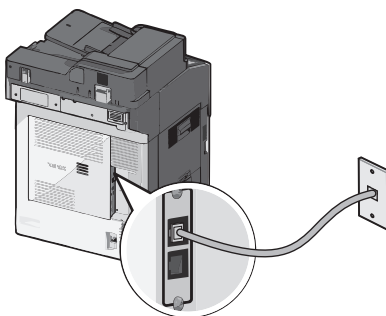
- The printer is an analog device that works best when directly connected to the telephone wall outlet. Other devices (such as a telephone or answering machine) can be successfully attached to pass through the printer, as described in the setup steps.
- If you want a digital connection such as ISDN, DSL, or ADSL, then a third-party device (such as a DSL filter) is required. Contact your DSL provider for a DSL filter. The DSL filter removes the digital signal on the telephone line that can interfere with the ability of the printer to fax properly.
- You *do not* need to attach the printer to a computer, but you *do* need to connect it to an analog telephone line to send and receive faxes.

| Equipment and service options | Fax connection setup |
|--|--|
| Connect directly to the telephone line. | See “Connecting to an analog telephone line” on page 116. |
| Connect to a Digital Subscriber Line (DSL or ADSL) service. | See “Connecting to a DSL service” on page 117. |
| Connect to a Private Branch eXchange (PBX) or Integrated Services Digital Network (ISDN) system. | See “Connecting to a PBX or ISDN system” on page 117. |
| Use a Distinctive Ring service. | See “Connecting to a distinctive ring service” on page 118. |
| Connect through an adapter used in your area. | See “Connecting to an adapter for your country or region” on page 118. |

Connecting to an analog telephone line


If your telecommunications equipment uses a US-style (RJ11) telephone line, then follow these steps to connect the equipment:

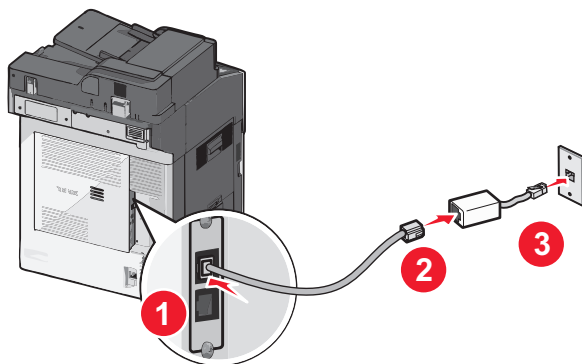
- 1 Connect one end of the telephone cable that came with the printer to the printer LINE port .
- 2 Connect the other end of the telephone cable to an active analog telephone wall jack.



Connecting to a DSL service


If you subscribe to a DSL service, then contact the DSL provider to obtain a DSL filter and telephone cord, and then follow these steps to connect the equipment:

- 1 Connect one end of the telephone cable that came with the printer to the printer LINE port .
- 2 Connect the other end of the telephone cable to the DSL filter.
Note: Your DSL filter may look different than the one in the illustration.
- 3 Connect the DSL filter cable to an active telephone wall jack.



Connecting to a PBX or ISDN system

If you use a PBX or ISDN converter or terminal adapter, then follow these steps to connect the equipment:


- 1 Connect one end of the telephone cable that came with the printer to the printer LINE port .
- 2 Connect the other end of the telephone cable to the port designated for fax and telephone use.

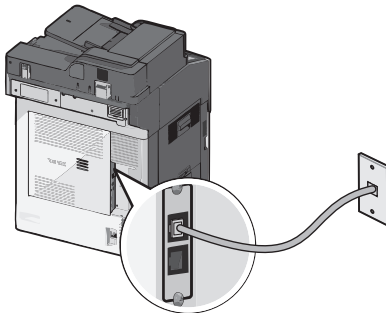
Notes:

- Make sure the terminal adapter is set to the correct switch type for your region.
- Depending on the ISDN port assignment, you may have to connect to a specific port.
- When using a PBX system, make sure the call waiting tone is off.
- When using a PBX system, dial the outside line prefix before dialing the fax number.
- For more information on using the fax with a PBX system, see the documentation that came with your PBX system.

Connecting to a distinctive ring service

A distinctive ring service may be available from your telephone service provider. This service allows you to have multiple telephone numbers on one telephone line, with each telephone number having a different ring pattern. This may be useful for distinguishing between fax and voice calls. If you subscribe to a distinctive ring service, then follow these steps to connect the equipment:

- 1 Connect one end of the telephone cable that came with the printer to the printer LINE port .
- 2 Connect the other end of the telephone cable to an active analog telephone wall jack.



- 3 Change the Distinctive Rings setting to match the setting you want for the printer to answer:

Note: The factory default setting for distinctive rings is **On**. This allows the printer to answer single, double, and triple ring patterns.

- a From the home screen, navigate to:

 > **Settings** > **Fax Settings** > **Analog Fax Settings** > **Distinctive Rings**

- b Select the pattern setting you want to change, and then touch **Submit**.


Connecting to an adapter for your country or region

The following countries or regions may require a special adapter to connect the telephone cable to the active telephone wall jack:

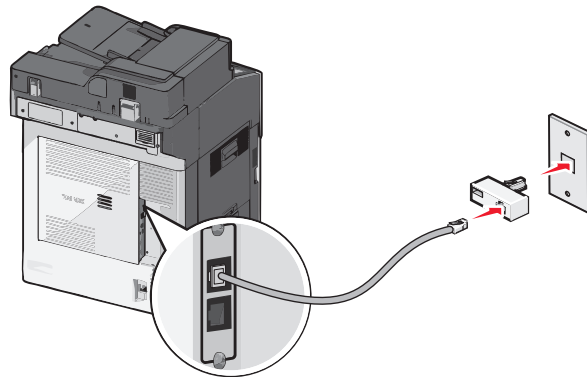
Country/Region

- Austria
- Cyprus
- Denmark
- Finland
- France
- Germany
- Ireland
- Italy
- New Zealand
- Netherlands
- Norway
- Portugal
- Sweden
- Switzerland
- United Kingdom

For some countries or regions, a telephone line adapter is included in the box. Use this adapter to connect an answering machine, telephone, or other telecommunications equipment to the printer.

- 1 Connect one end of the telephone cable that came with the printer to the printer LINE port 
- 2 Connect the other end of the telephone cable to the adapter, and then connect the adapter to the active telephone wall jack.

Note: Your telephone adapter may look different than the one shown. It will fit the wall jack used in your location.



Setting the outgoing fax or station name and number

- 1 Type the printer IP address into the address field of your Web browser.
If you do not know the IP address of the printer, you can:
 - View the IP address on the printer control panel in the TCP/IP section under the Networks/Ports menu.
 - Print a network setup page or the menu settings pages and locate the IP address in the TCP/IP section.
- 2 Click **Settings > Fax Settings > Analog Fax Setup**.
- 3 In the Fax Name or Station Name field, enter the name to be printed on all outgoing faxes.
- 4 In the Fax Number or Station Number field, enter the printer fax number.
- 5 Click **Submit**.

Setting the date and time

You can set the date and time so that they are printed on every fax you send. If there is a power failure, then you may have to reset the date and time.

- 1 Type the printer IP address in the address field of your Web browser.
If you do not know the IP address of the printer, then you can:
 - View the IP address on the printer control panel in the TCP/IP section under the Networks/Ports menu.
 - Print a network setup page or the menu settings pages and locate the IP address in the TCP/IP section.
- 2 Click **Security > Set Date and Time**.

- 3 In the Set Date & Time field, enter the current date and time.
- 4 Click **Submit**.

Note: It is recommended to use the network time.

Configuring the printer to observe daylight saving time

The printer can be set to automatically adjust for daylight saving time:

- 1 Type the printer IP address in the address field of your Web browser.
If you do not know the IP address of the printer, then you can:
 - View the IP address on the printer control panel in the TCP/IP section under the Networks/Ports menu.
 - Print a network setup page or the menu settings pages and locate the IP address in the TCP/IP section.
- 2 Click **Security > Set Date and Time**.
- 3 Select the **Automatically Observe DST** checkbox, and then enter the DST start and end dates in the Custom Time Zone Setup section.
- 4 Click **Submit**.


Creating shortcuts

Creating a fax destination shortcut using the Embedded Web Server

Instead of entering the entire phone number of a fax recipient on the printer control panel each time you want to send a fax, you can create a permanent fax destination and assign a shortcut number. A shortcut can be created to a single fax number or a group of fax numbers.

- 1 Type the printer IP address into the address field of your Web browser.
If you do not know the IP address of the printer, you can:
 - View the IP address on the printer control panel in the TCP/IP section under the Networks/Ports menu.
 - Print a network setup page or the menu settings pages and locate the IP address in the TCP/IP section.
- 2 Click **Settings > Manage Shortcuts > Fax Shortcut Setup**.
Note: A password may be required. If you do not have an ID and password, get one from your system support person.
- 3 Type a unique name for the shortcut, and then enter the fax number.
To create a multiple-number shortcut, enter the fax numbers for the group.
Note: Separate each fax number in the group with a semicolon (;).
- 4 Assign a shortcut number.
If you enter a number that is already in use, then you are prompted to select another number.
- 5 Click **Add**.


Creating a fax destination shortcut using the touch screen

- 1 Load an original document faceup, short edge first into the ADF or facedown on the scanner glass.
Note: Do not load postcards, photos, small items, transparencies, photo paper, or thin media (such as magazine clippings) into the ADF. Place these items on the scanner glass.
- 2 If you are loading a document into the ADF, then adjust the paper guides.
- 3 From the home screen, navigate to:
Fax > enter the fax number
To create a group of fax numbers, touch **Next number**, and then enter the next fax number.
- 4 Navigate to:
 > enter a name for the shortcut > **Done** > **OK** > **Fax It**

Sending a fax

Sending a fax using the touch screen

- 1 Load an original document faceup, short edge first into the ADF or facedown on the scanner glass.
Note: Do not load postcards, photos, small items, transparencies, photo paper, or thin media (such as magazine clippings) into the ADF. Place these items on the scanner glass.
- 2 If you are loading a document into the ADF, then adjust the paper guides.
- 3 From the home screen, touch **Fax**.
- 4 Enter the fax number or a shortcut using the touch screen or keypad.
To add recipients, touch **Next Number** and then enter the recipient's telephone number or shortcut number, or search the address book.

Note: To place a dial pause within a fax number, press . The dial pause appears as a comma in the "Fax to" box. Use this feature if you need to dial an outside line first.
- 5 Touch **Fax It**.

Sending a fax using the computer

The printer driver fax option allows you to "print to fax," where the printer will send a queued document as a fax rather than print it. The fax option functions as a normal fax machine, but is controlled through the printer driver instead of the printer control panel.

- 1 With a document open, click **File** > **Print**.
- 2 Select the printer, and then navigate to:
Properties > **Fax** tab > **Enable fax**
- 3 Enter the recipient fax number(s) in the "Fax number(s)" field.
Fax numbers can be entered manually or by using the Phone Book feature.
- 4 If necessary, enter a prefix in the Dialing prefix field.


- 5 Select the appropriate paper size and page orientation.
- 6 If you want to include a cover page with the fax, then select **Include cover page with fax**, and enter the appropriate information.
- 7 Click **OK**.

Notes:

- The Fax option is available for use only with the PostScript driver or the Universal Fax Driver. For information on installing these drivers, see the *Software and Documentation* CD.
- The Fax option must be configured and enabled in the PostScript driver under Configuration tab before it can be used.
- If the **Always display settings prior to faxing** check box is selected, then you will be prompted to verify the recipient information before the fax is sent. If this check box is not selected, then the queued document will be sent automatically as a fax when you click **OK** on the Fax tab.

Sending a fax using shortcuts


Fax shortcuts are just like the speed dial numbers on a telephone or fax machine. A shortcut number (1–99999) can contain a single recipient or multiple recipients.

- 1 Load an original document faceup, short edge first into the ADF or facedown on the scanner glass.
Note: Do not place postcards, photos, small items, transparencies, photo paper, or thin media (such as magazine clippings) into the ADF. Place these items on the scanner glass.
- 2 If you are loading a document into the ADF, then adjust the paper guides.
- 3 Press , and then enter the shortcut number using the keypad.
- 4 Touch **Fax It**.

Sending a fax using the address book

The address book enables you to search for bookmarks and network directory servers.

Note: If the address book feature is not enabled, then contact your system support person.

- 1 Load an original document faceup, short edge first into the ADF or facedown on the scanner glass.
Note: Do not load postcards, photos, small items, transparencies, photo paper, or thin media (such as magazine clippings) into the ADF. Place these items on the scanner glass.
- 2 If you are loading a document into the ADF, then adjust the paper guides.
- 3 From the home screen, navigate to:
Fax >  > **Browse shortcuts**
- 4 Using the virtual keyboard, type the name or part of the name of the person whose fax number you want to find.
Note: Do not attempt to search for multiple names at the same time.
- 5 Touch **Done** > **Fax It**.

Customizing fax settings

Changing the fax resolution

Settings range from Standard (fastest speed) to Ultra Fine (slowest speed, best quality).

- 1 Load an original document faceup, short edge first into the ADF or facedown on the scanner glass.
Note: Do not load postcards, photos, small items, transparencies, photo paper, or thin media (such as magazine clippings) into the ADF. Place these items on the scanner glass.
- 2 If you are loading a document into the ADF, then adjust the paper guides.
- 3 From the home screen, navigate to:
Fax > enter the fax number > **Options**
- 4 From the Resolution area, touch the arrows to change to the resolution you want.
- 5 Touch **Fax It**.

Making a fax lighter or darker

- 1 Load an original document faceup, short edge first into the ADF or facedown on the scanner glass.
Note: Do not load postcards, photos, small items, transparencies, photo paper, or thin media (such as magazine clippings) into the ADF. Place these items on the scanner glass.
- 2 If you are loading a document into the ADF, then adjust the paper guides.
- 3 From the home screen, navigate to:
Fax > enter the fax number > **Options**
- 4 From the Darkness area, touch the arrows to adjust the darkness of the fax.
- 5 Touch **Fax It**.

Sending a fax at a scheduled time

- 1 Load an original document faceup, short edge first into the ADF or facedown on the scanner glass.
Note: Do not load postcards, photos, small items, transparencies, photo paper, or thin media (such as magazine clippings) into the ADF. Place these items on the scanner glass.
- 2 If you are loading a document into the ADF, then adjust the paper guides.
- 3 From the home screen, navigate to:
Fax > enter the fax number > **Options** > **Advanced Options** > **Delayed Send**
Note: If Fax Mode is set to Fax Server, the Delayed Send button will not appear. Faxes waiting for transmission are listed in the Fax Queue.

- 4 Touch the arrows to adjust the time the fax will be transmitted.

The time is increased or decreased in increments of 30 minutes. If the current time is shown, the left arrow is unavailable.

- 5 Touch **Fax It**.

Note: The document is scanned and then faxed at the scheduled time.

Viewing a fax log

- 1 Type the printer IP address into the address field of your Web browser.

If you do not know the IP address of the printer, you can:

- View the IP address on the printer control panel in the TCP/IP section under the Networks/Ports menu.
- Print a network setup page or the menu settings pages and locate the IP address in the TCP/IP section.

- 2 Click **Settings > Reports > Fax Job Log** or **Fax Call Log**.

Blocking junk faxes

- 1 Type the printer IP address into the address field of your Web browser.

If you do not know the IP address of the printer, you can:

- View the IP address on the printer control panel in the TCP/IP section under the Networks/Ports menu.
- Print a network setup page or the menu settings pages and locate the IP address in the TCP/IP section.

- 2 Click **Settings > Fax Settings > Analog Fax Setup > Block No Name Fax**.

Notes:

- This option blocks all incoming faxes that have a private caller ID or no fax station name.
- In the Banned Fax List field, enter the phone numbers or fax station names of specific fax callers you want to block.

Canceling an outgoing fax

Canceling a fax while the original documents are still scanning

- When using the ADF, touch **Cancel Job** while **Scanning...** appears.
- When using the scanner glass, touch **Cancel Job** while **Scanning...** appears or while **Scan the Next Page / Finish the Job** appears.

Canceling a fax after the original documents have been scanned to memory

- 1 On the home screen, touch **Cancel Jobs**.

The Cancel Jobs screen appears.

- 2 Touch the job or jobs you want to cancel.

Only three jobs appear on the screen; touch the down arrow until the job you want appears, and then touch the job you want to cancel.

- 3 Touch **Delete Selected Jobs**.

The Deleting Selected Jobs screen appears, the selected jobs are deleted, and then the home screen appears.

Understanding fax options

Content

This option lets you specify the content type and source of the original document.

Choose content type from Text, Text/Photo, Photo, or Graphics.

- **Text**—Use when the content of the original document is mostly text or line art.
- **Graphics**—Use when the original document is mostly business-type graphics such as pie charts, bar charts, and animations.
- **Text/Photo**—Use when the original document is a mixture of text, graphics, and photos.
- **Photo**—Use when the original document is mostly a photo or an image.

Choose content source from Color Laser, Black/White Laser, Inkjet, Photo/Film, Magazine, Newspaper, Press, or Other.

- **Color Laser**—Use when the original document was printed using a color laser printer.
- **Black/White Laser**—Use when the original document was printed using a mono laser printer.
- **Inkjet**—Use when the original document was printed using an inkjet printer.
- **Photo/Film**—Use when the original document is a photo from film.
- **Magazine**—Use when the original document is from a magazine.
- **Newspaper**—Use when the original document is from a newspaper.
- **Press**—Use when the original document was printed using a printing press.
- **Other**—Use when the original document was printed using an alternate or unknown printer.

Resolution

This options increases how closely the scanner examines the document you want to fax. If you are faxing a photo, a drawing with fine lines, or a document with very small text, then increase the Resolution setting. This will increase the amount of time required for the scan and will increase the quality of the fax output.

- **Standard**—Suitable for most documents
- **Fine 200 dpi**—Recommended for documents with small print
- **Super fine 300 dpi**—Recommended for original documents with fine detail
- **Ultra fine 600 dpi**—Recommended for documents with pictures or photos

Note: **Fine 200 dpi** and **Super fine 300 dpi** is displayed when color printing is selected.

Darkness

This option adjusts how light or dark your faxes will turn out in relation to the original document.

Color

This option enables or disables color in faxing.

Page Setup

This option lets you change the Sides (Duplex), Orientation, and Binding settings.

- **Sides (Duplex)**—Use to specify if the original document is simplex (printed on one page) or duplex (printed on both sides). This also identifies what needs to be scanned for inclusion in the fax.
- **Orientation**—Use to specify the orientation of the original document, and then changes Sides and Binding to match the orientation.
- **Binding**—Use to specify if the original document is bound on the long-edge or short-edge side.

Scan Preview

This option displays the first page of the image before it is included in the fax. When the first page is scanned, the scanning is paused and a preview image appears.

Delayed Send

This lets you send a fax at a later time or date.

- 1 Set up your fax.
- 2 From the home screen, navigate to:
Delayed Send > enter the date and time you want to send your fax > **Done**

Note: If the printer is turned off when the delayed fax is scheduled to be sent, then the fax is sent the next time the printer is turned on.

This setting can be especially useful in sending information to fax lines that are not readily available during certain hours, or when transmission times are cheaper.

Advanced Options

Touching the Advanced Options button opens a screen where you can change the following settings:

- **ADF Skew Fix**—Use to correct slight skew in the scanned image.
- **Advanced Imaging**—Use to adjust the Background Removal, Contrast, Color Balance, Negative Image, Mirror Image, Scan Edge to Edge, Shadow Detail, Sharpness, and Temperature settings before you fax the document.
- **Custom Job**—Use to combine multiple scanning jobs into a single job.
- **Edge Erase**—Use to eliminate smudges or information around the edges of a document. You can choose to eliminate an equal area around all four sides of the paper, or pick a particular edge. Edge Erase will erase whatever is within the area selected, leaving nothing on that portion of the scan.
- **Transmission Log**—Use to print the transmission log or transmission error log.

Holding and forwarding faxes

Holding faxes

This option lets you hold received faxes from printing until they are released. Held faxes can be released manually or at a scheduled day or time.

1 Type the printer IP address into the address field of your Web browser.

If you do not know the IP address of the printer, you can:

- View the IP address on the printer control panel in the TCP/IP section under the Networks/Ports menu.
- Print a network setup page or the menu settings pages and locate the IP address in the TCP/IP section.

2 Click **Settings > Fax Settings > Analog Fax Setup > Holding Faxes**.

3 In the Print Faxes Password field, enter a password.

4 From the Held Fax Mode menu, select one of the following:

- **Off**
- **Always On**
- **Manual**
- **Scheduled**

5 If you selected Scheduled, then continue with the following steps:

- a** Click **Fax Holding Schedule**.
- b** From the Action menu, select **Hold faxes**.
- c** From the Time menu, select the time you want the held faxes released.
- d** From the Day(s) menu, select the day you want the held faxes released.

6 Click **Add**.

Forwarding a fax

This option lets you print and forward received faxes to a fax number, e-mail address, FTP site, or LDSS.

1 Type the printer IP address into the address field of your Web browser.

If you do not know the IP address of the printer, you can:

- View the IP address on the printer control panel in the TCP/IP section under the Networks/Ports menu.
- Print a network setup page or the menu settings pages and locate the IP address in the TCP/IP section.

2 Click **Settings > Fax Settings**.

3 From the Fax Forwarding menu, select one of the following:

- **Print**
- **Print and Forward**
- **Forward**

4 From the “Forward to” menu, select one of the following:

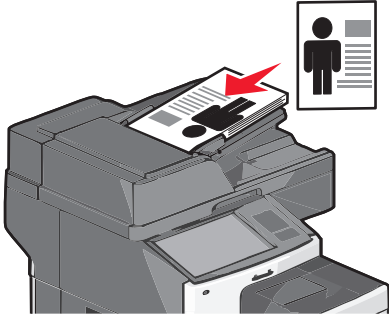
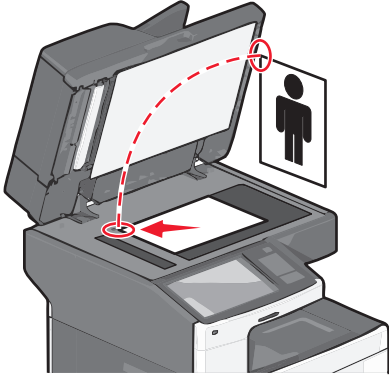
- Fax
- E-mail
- FTP
- LDSS
- eSF

5 In the Forward to Shortcut field, enter the shortcut number where you want the fax forwarded.

Note: The shortcut number must be valid for the setting selected in the “Forward to” menu.

6 Click **Submit**.

Scanning to an FTP address

| ADF | Scanner glass |
|---|--|
|  |  |
| <p>Use the ADF for multiple-page documents.</p> | <p>Use the scanner glass for single pages, small items (such as postcards or photos), transparencies, photo paper, or thin media (such as magazine clippings).</p> |

The scanner lets you scan documents directly to a File Transfer Protocol (FTP) server. Only one FTP address may be sent to the server at a time.

Once an FTP destination has been configured by your system support person, the name of the destination becomes available as a shortcut number. An FTP destination could also be another printer; for example, a color document can be scanned, and then sent to a color printer.

Scanning to an FTP address

Scanning to an FTP address using the touch screen

- 1 Load an original document faceup, short edge first into the ADF or facedown on the scanner glass.

Note: Do not load postcards, photos, small items, transparencies, photo paper, or thin media (such as magazine clippings) into the ADF. Place these items on the scanner glass.
- 2 If you are loading a document into the ADF, then adjust the paper guides.
- 3 From the home screen, navigate to:
FTP > FTP > type the FTP address > Send It

Scanning to an FTP address using a shortcut number

- 1 Load an original document faceup, short edge first into the ADF or facedown on the scanner glass.

Note: Do not load postcards, photos, small items, transparencies, photo paper, or thin media (such as magazine clippings) into the ADF. Place these items on the scanner glass.
- 2 If you are loading a document into the ADF, then adjust the paper guides.

3 Press , and then enter the FTP shortcut number.

4 Touch **Send It**.


Scanning to an FTP address using the address book

1 Load an original document faceup, short edge first into the ADF or facedown on the scanner glass.

Note: Do not load postcards, photos, small items, transparencies, photo paper, or thin media (such as magazine clippings) into the ADF. Place these items on the scanner glass.

2 If you are loading a document into the ADF, adjust the paper guides.

3 From the home screen, navigate to:

FTP > FTP >  > enter the name of recipient > **Browse shortcuts > name of recipient > **Search****

Creating shortcuts

Instead of entering the entire FTP site address on the printer control panel each time you want to send a document to an FTP server, you can create a permanent FTP destination and assign a shortcut number. There are two methods for creating shortcut numbers: using the Embedded Web Server and using the printer touch screen.

Creating an FTP shortcut using the Embedded Web Server

1 Type the printer IP address into the address field of your Web browser.

If you do not know the IP address of the printer, you can:

- View the IP address on the printer control panel in the TCP/IP section under the Networks/Ports menu.
- Print a network setup page or the menu settings pages and locate the IP address in the TCP/IP section.

2 Click **Settings**.

3 Under Other Settings, click **Manage Shortcuts**.

Note: A password may be required. If you do not have an ID and password, get one from your system support person.

4 Click **FTP Shortcut Setup**.


5 Enter the appropriate information.

6 Enter a shortcut number.

If you enter a number that is already in use, then you are prompted to select another number.

7 Click **Add**.

Creating an FTP shortcut using the touch screen

- 1 From the home screen, navigate to:
FTP > type the FTP address >  > enter a name for the shortcut > **Done**
- 2 Verify that the shortcut name and number are correct, and then touch **OK**. If the name or number is incorrect, then touch **Cancel**, and then reenter the information.
If you enter a number that is already in use, then you are prompted to select another number.
- 3 Touch **Submit**.

Understanding FTP options

FTP

This option lets you enter the IP address for the FTP destination.

Note: Addresses should be in dot notation form (for example: **yyy . yyy . yyy . yyy**).

File Name

This option lets you enter the file name of the scanned document.

Original Size

This option opens a screen where you can choose the size of the documents for FTP sending.

- Touch a paper size button to select that size as the Original Size setting. The FTP screen appears with the new setting displayed.
- When “Original Size” is set to Mixed Sizes, you can scan an original document that contains mixed paper sizes.
- When “Original Size” is set to Auto Size Sense, the scanner automatically determines the size of the original document.

Send As

This option sets the output (PDF, TIFF, JPEG or XPS) for the scanned image.

- **PDF**—Creates a single file with multiple pages, viewable with Adobe Reader. Adobe Reader is provided free by Adobe at www.adobe.com.
- **Secure PDF**—Creates an encrypted PDF file that protects the file contents from unauthorized access
- **TIFF**—Creates multiple files or a single file. If Multi-page TIFF is turned off in the Settings menu of the Embedded Web Server, then TIFF saves one page in each file. The file size is usually larger than an equivalent JPEG.
- **JPEG**—Creates and attaches a separate file for each page of your original document, viewable by most Web browsers and graphics programs
- **XPS**—Creates a single XPS file with multiple pages, viewable using an Internet Explorer-hosted viewer and the .NET Framework, or by downloading a third party standalone viewer

Color

This option enables or disables color for the scanned image.

Resolution

This option adjusts the output quality of your file. Increasing the image resolution increases the file size and the time needed to scan your original document. Image resolution can be decreased to reduce the file size.

Darkness

This option adjusts how light or dark your files will turn out in relation to the original document.

Page Setup

This option lets you change the Sides (Duplex), Orientation, and Binding.

- **Sides (Duplex)**— Specifies if the original document is simplex (printed on one page) or duplex (printed on both sides). This also identifies what needs to be scanned.
- **Orientation**— Specifies the orientation of the original document, and then changes the Sides and Binding settings to match the orientation.
- **Binding**— Specifies if the original document is bound on the long-edge or short-edge side.

Content

This option tells the printer the original document type and source.

Choose content type from Text, Text/Photo, Photo, or Graphic.

- **Text**—Use when the content of the original document is mostly text or line art.
- **Graphic**—Use when the original document is mostly business-type graphics such as pie charts, bar charts, and animations.
- **Text/Photo**—Use when the original document is a mixture of text, graphics, and photos.
- **Photo**—Use when the original document is mostly a photo or an image.

Choose content source from Color Laser, Black/White Laser, Inkjet, Photo/Film, Magazine, Newspaper, Press or Other.

- **Color Laser**—Use when the original document was printed using a color laser printer.
- **Black/White**—Use when the original document was printed using a black/white laser printer.
- **Inkjet**—Use when the original document was printed using an inkjet printer.
- **Photo/Film**—Use when the original document is a photo from film.
- **Magazine**—Use when the original document is from a magazine.
- **Newspaper**—Use when the original document is from a newspaper.
- **Press**—Use when the original document was printed using a printing press.
- **Other**—Use when the original document was printed using an alternate or unknown printer.

Scan Preview

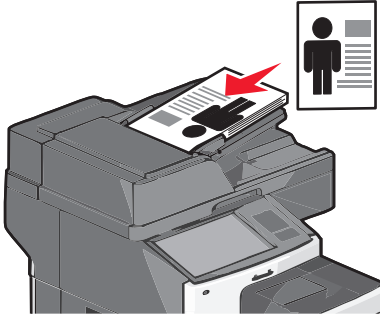
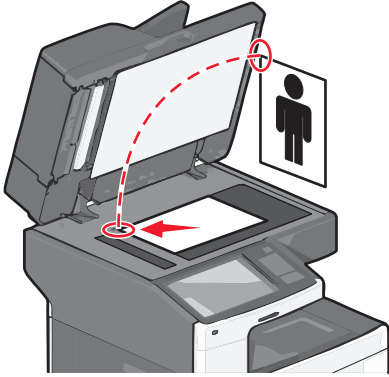
This option displays the first page of the original document before it is scanned completely. When the first page is scanned, the scanning is paused and a preview image appears.

Advanced Options

Touching the Advanced Options button opens a screen where you can change the following settings:

- **ADF Skew Fix**—Use to correct slight skew in the scanned image.
- **Advanced Imaging**—Use to adjust the Background Removal, Color Balance, Color Dropout, Contrast, JPEG Quality, Negative Image, Mirror Image, Scan edge to edge, Shadow Detail, Sharpness, and Temperature image output settings before sending the image file.
- **Edge Erase**—Use to eliminate smudges or information around the edges of a document. You can choose to eliminate an equal area around all four sides of the paper, or pick a particular edge. Edge Erase will erase whatever is within the area selected, leaving nothing on that portion of the scan.
- **Transmission Log**—Use to print the transmission log or transmission error log.
- **Custom Job**—Use to combine multiple scanning jobs into a single job.

Scanning to a computer or flash drive

| ADF | Scanner glass |
|---|--|
|  |  |
| <p>Use the ADF for multiple-page documents.</p> | <p>Use the scanner glass for single pages, small items (such as postcards or photos), transparencies, photo paper, or thin media (such as magazine clippings).</p> |

The scanner lets you scan documents directly to a computer or a flash drive. The computer does not have to be directly connected to the printer for you to receive Scan to PC images. You can scan the document back to the computer over the network by creating a scan profile on the computer, and then downloading the profile to the printer.

Scanning to a computer

- 1 Type the printer IP address into the address field of your Web browser.

If you do not know the IP address of the printer, you can:

- View the IP address on the printer control panel in the TCP/IP section under the Networks/Ports menu.
- Print a network setup page or the menu settings pages and locate the IP address in the TCP/IP section.

- 2 Click **Scan Profile > Create**.

- 3 Select your scan settings, and then click **Next**.

- 4 Select a location on your computer where you want to save the scanned output file.

- 5 Enter a scan name.

The scan name is the name that appears in the Scan Profile list on the display.

- 6 Click **Submit**.

- 7 Review the instructions on the Scan Profile screen.

A shortcut number was automatically assigned when you clicked **Submit**. You can use this shortcut number when you are ready to scan your documents.

- a Load an original document faceup, short edge first into the ADF or facedown on the scanner glass.

Note: Do not load postcards, photos, small items, transparencies, photo paper, or thin media (such as magazine clippings) into the ADF. Place these items on the scanner glass.

- b If you are loading a document into the ADF, then adjust the paper guides.

Understanding scan profile options

Original Size

This option sets the size of the documents you are going to scan. When Original Size is set to Mixed Sizes, you can scan an original document that contains mixed paper sizes (letter- and legal-size pages).

Resolution

This option adjusts the output quality of your file. Increasing the image resolution increases the file size and the time needed to scan your original document. Image resolution can be decreased to reduce the file size.

Color

This option enables or disables color for the scanned image.

Content

This option lets you specify the content type and source of the original document.

Choose content type from Text, Text/Photo, Photo, or Graphics.

- **Text**—Use when the content of the original document is mostly text or line art.
- **Graphics**—Use when the original document is mostly business-type graphics such as pie charts, bar charts, and animations.
- **Text/Photo**—Use when the original document is a mixture of text, graphics, and photos.
- **Photo**—Use when the original document is mostly a photo or an image.

Choose content source from Color Laser, Black/White Laser, Inkjet, Photo/Film, Magazine, Newspaper, Press, or Other.

- **Color Laser**—Use when the original document was printed using a color laser printer.
- **Black/White Laser**—Use when the original document was printed using a mono laser printer.
- **Inkjet**—Use when the original document was printed using an inkjet printer.
- **Photo/Film**—Use when the original document is a photo from film.
- **Magazine**—Use when the original document is from a magazine.
- **Newspaper**—Use when the original document is from a newspaper.
- **Press**—Use when the original document was printed using a printing press.
- **Other**—Use when the original document was printed using an alternate or unknown printer.

Darkness

This option adjusts how light or dark your scanned documents will turn out in relation to the original document.

Page Setup

This option lets you change the Sides (Duplex), Orientation, and Binding.

- **Sides (Duplex)**— Use this to specify if the original document is simplex (printed on one page) or duplex (printed on both sides). This also identifies what needs to be scanned for inclusion in the e-mail.
- **Orientation**— Use this to specify the orientation of the original document, and then change **Sides** and **Binding** to match the orientation.
- **Binding**— Use this to specify if the original document is bound on the long-edge or short-edge of the page.

Scan Preview

This option displays the first page of the image before it is included in the e-mail. When the first page is scanned, the scanning is paused and a preview image appears.

Advanced Options

Touching the Advanced Options button opens a screen where you can change the following settings:

- **ADF Skew Fix**— Use this to correct slight skew in the scanned image.
- **Advanced Imaging**— Use this to change or adjust Background Removal, Color Balance, Color Dropout, Contrast, JPEG Quality, Mirror Image, Negative Image, Scan Edge to Edge, Shadow Detail, Sharpness, and Temperature before scanning a document.
- **Custom Job**—Use this to combine multiple scan jobs into a single scan job.
- **Edge Erase**—Use this to remove smudges or information around the edges of a document. You can choose to eliminate an equal area around all four sides of the paper, or pick a particular edge. Edge Erase will erase whatever is within the area selected, leaving nothing on that portion of the scanned image.
- **Transmission Log**—Use this to print the transmission log or transmission error log.

Understanding printer menus

Menus list

Supplies

Replace Supply
Cyan Cartridge
Magenta Cartridge
Yellow Cartridge
Black Cartridge
Separator Pick Assembly and Roller
Waste Toner Bottle
Fuser
Transfer Module
Staples
Hole Punch Box

Paper Menu

Default Source
Paper Size/Type
Configure MP
Substitute Size
Paper Texture
Paper Weight
Paper Loading
Custom Types
Custom Names
Custom Scan Sizes
Custom Bin Names
Universal Setup
Bin Setup

Reports

Menu Settings Page
Device Statistics
Network Setup Page
Network [x] Setup Page
Shortcut List
Fax Job Log
Fax Call Log
Copy Shortcuts
E-mail Shortcuts
Fax Shortcuts
FTP Shortcuts
Profiles List
Print Fonts
Print Directory
Asset Report

Settings

General Settings
Copy Settings
Fax Settings
E-mail Settings
FTP Settings
Flash Drive Menu
Print Settings

Security

Edit Security Setups
Miscellaneous Security Settings
Confidential Print
Disk Wiping
Security Audit Log
Set Date and Time

Network/Ports

Active NIC
Standard Network or Network [x]¹
Standard USB
Parallel [x]
Serial [x]
SMTP Setup

Help

Print All Guides
Copy Guide
E-mail Guide
Fax Guide
FTP Guide
Print Defects Guide
Information Guide
Supplies Guide

Manage Shortcuts

Fax Shortcuts
E-mail Shortcuts
FTP Shortcuts
Copy Shortcuts
Profile Shortcuts

Option Card Menu

A list of installed *download emulators* (DLEs) appears.²

¹ Depending on the printer setup, this menu appears as Standard Network or Network [x].

² This menu appears only when one or more DLEs are installed.

Supplies menu

| Menu item | Description |
|---|--|
| Replace Supply Separator Pick Assembly and Roller | Provides the option to reset the supply counter for the separator pick assembly and roller <ul style="list-style-type: none"> • Select Yes to reset the supply counter. • Select No to exit. |
| Cyan Cartridge Early Warning Invalid Critically Low Missing Defective OK Unsupported | Shows the status of the cyan toner cartridge |
| Magenta Cartridge Early Warning Invalid Critically Low Missing Defective OK Unsupported | Shows the status of the magenta toner cartridge |
| Yellow Cartridge Early Warning Invalid Critically Low Missing Defective OK Unsupported | Shows the status of the yellow toner cartridge |
| Black Cartridge Early Warning Invalid Critically Low Missing Defective OK Unsupported | Shows the status of the black toner cartridge |
| Separator Pick Assembly and Roller OK Replace | Shows the status of the separator pick assembly and roller |

| Menu item | Description |
|---|--|
| Waste Toner Bottle Near Full Replace Missing OK | Shows the status of the waste toner bottle |
| Fuser Early Warning Low Replace Missing OK | Shows the status of the fuser |
| Transfer Module Early Warning Low Replace Missing OK | Shows the status of the transfer module |
| Staple Cartridge Early Warning Low Replace Missing OK | Shows the status of the staple cartridge |
| Hole Punch Box Near Full Replace Missing OK | Shows the status of the hole punch box |

Paper menu

Default Source menu

| Menu item | Description |
|---|--|
| Default Source Tray [x] MP Feeder Manual Paper Manual Envelope | Sets a default paper source for all print jobs Notes: <ul style="list-style-type: none"> • Tray 1 (standard tray) is the factory default setting. • From the Paper menu, Configure MP feeder must be set to Cassette for MP feeder to appear as a menu setting. • If the same size and type of paper are in two trays and the Paper Size and Paper Type settings match, then the trays are automatically linked. When one tray is empty, the print job continues using the linked tray. |

Paper Size/Type menu

| Menu item | Description |
|--|--|
| Tray [x] Size Letter Legal Executive Oficio (Mexico) Folio Statement Universal A4 A5 JIS B5 | Specifies the paper size loaded in each tray Notes: <ul style="list-style-type: none"> • Letter is the US factory default setting. A4 is the international factory default setting. • For trays with automatic size sensing, only the size detected by the hardware appears. • If the same size and type of paper are in two trays and the Paper Size and Paper Type settings match, then the trays are automatically linked. When one tray is empty, the print job uses the linked tray. |
| Note: Only installed trays are listed in this menu. | |

| Menu item | Description |
|---|--|
| <p>Tray [x] Type</p> <ul style="list-style-type: none"> Plain Paper Card Stock Transparency Recycled Glossy Heavy Glossy Labels Vinyl Labels Bond Letterhead Preprinted Colored Paper Light Paper Heavy Paper Rough/Cotton Paper Custom Type [x] | <p>Specifies the type of paper loaded in each tray</p> <p>Notes:</p> <ul style="list-style-type: none"> • Plain Paper is the factory default setting for Tray 1. Custom Type [x] is the factory default setting for all other trays. • If available, a user-defined name will appear instead of Custom Type [x]. • Use this menu item to configure automatic tray linking. |
| <p>MP Feeder Size</p> <ul style="list-style-type: none"> Letter Legal Executive Oficio (Mexico) Folio Statement Universal 7 3/4 Envelope 9 Envelope 10 Envelope DL Envelope C5 Envelope B5 Envelope Other Envelope A4 A5 A6 JIS B5 | <p>Specifies the paper size loaded in the multipurpose feeder</p> <p>Notes:</p> <ul style="list-style-type: none"> • Letter is the US factory default setting. A4 is the international factory default setting. • From the Paper menu, Configure MP Feeder must be set to Cassette for MP Feeder to appear as a menu item. |

Note: Only installed trays are listed in this menu.

| Menu item | Description |
|--|---|
| <p>MP Feeder Type</p> <ul style="list-style-type: none"> Custom Type [x] Plain Paper Card Stock Transparency Recycled Glossy Heavy Glossy Labels Vinyl Labels Bond Envelope Rough Envelope Letterhead Preprinted Colored Paper Light Paper Heavy Paper Rough/Cotton Paper | <p>Specifies the type of paper loaded in the multipurpose feeder</p> <p>Notes:</p> <ul style="list-style-type: none"> • Custom Type [x] is the factory default setting. • From the Paper menu, Configure MP Feeder must be set to Cassette for MP Feeder to appear as a menu item. |
| <p>Manual Paper Size</p> <ul style="list-style-type: none"> Letter Legal Executive Oficio (Mexico) Folio Statement Universal A4 A5 A6 JIS B5 | <p>Specifies the size of the paper being manually loaded</p> <p>Note: Letter is the US factory default setting. A4 is the international factory default setting.</p> |
| <p>Note: Only installed trays are listed in this menu.</p> | |

| Menu item | Description |
|---|---|
| Manual Paper Type Plain Paper Card Stock Transparency Recycled Glossy Heavy Glossy Labels Vinyl Labels Bond Letterhead Preprinted Colored Paper Light Paper Heavy Paper Rough/Cotton Paper Custom Type [x] | Specifies the type of paper being manually loaded Note: Plain Paper is the factory default setting. |
| Manual Envelope Size 10 Envelope DL Envelope C5 Envelope B5 Envelope Other Envelope 7 3/4 Envelope 9 Envelope | Specifies the size of the envelope being manually loaded Note: 10 Envelope is the US factory default setting. DL Envelope is the international factory default setting. |
| Manual Envelope Type Envelope Rough Envelope Custom Type [x] | Specifies the type of envelope being manually loaded Note: Envelope is the factory default setting. |
| Note: Only installed trays are listed in this menu. | |

Configure MP menu

| Menu item | Description |
|--|--|
| Configure MP Cassette Manual First | Determines when the printer selects paper from the multipurpose feeder Notes: <ul style="list-style-type: none"> • Cassette is the factory default setting. Cassette configures the multipurpose feeder as the automatic paper source. • Manual sets the multipurpose feeder only for manual feed print jobs. • First configures the multipurpose feeder as the primary paper source. |

Substitute Size menu

| Menu item | Description |
|--|--|
| Substitute Size All Listed Off Statement/A5 Letter/A4 | Substitutes a specified paper size if the requested paper size is not available Notes: <ul style="list-style-type: none"> • All Listed is the factory default setting. All available size substitutions are allowed. • Off indicates no size substitutions are allowed. • Setting a size substitution lets a print job continue without a Change Paper message appearing. |

Paper Texture menu

| Menu item | Description |
|--|---|
| Plain Texture Normal Rough Smooth | Specifies the relative texture of the plain paper loaded Note: Normal is the factory default setting. |
| Card Stock Texture Normal Rough Smooth | Specifies the relative texture of the card stock loaded Notes: <ul style="list-style-type: none"> • Normal is the factory default setting. • Settings appear only if card stock is supported. |
| Transparency Texture Normal Rough Smooth | Specifies the relative texture of the transparencies loaded Note: Normal is the factory default setting. |
| Recycled Texture Normal Rough Smooth | Specifies the relative texture of the recycled paper loaded Note: Normal is the factory default setting. |
| Glossy Texture Normal Rough Smooth | Specifies the relative texture of the glossy paper loaded Note: Normal is the factory default setting. |
| Heavy Glossy Texture Normal Rough Smooth | Specifies the relative texture of the glossy paper loaded Note: Normal is the factory default setting. |
| Labels Texture Normal Rough Smooth | Specifies the relative texture of the labels loaded Note: Normal is the factory default setting. |

| Menu item | Description |
|--|--|
| Vinyl Labels Texture Normal Rough Smooth | Specifies the relative texture of the vinyl labels loaded Note: Normal is the factory default setting. |
| Bond Texture Rough Smooth Normal | Specifies the relative texture of the bond paper loaded Note: Rough is the factory default setting. |
| Envelope Texture Normal Rough Smooth | Specifies the relative texture of the envelopes loaded Note: Normal is the factory default setting. |
| Rough Envelope Texture Rough | Specifies the relative texture of the envelopes loaded Note: Rough is the factory default setting. |
| Letterhead Texture Normal Rough Smooth | Specifies the relative texture of the letterhead loaded Note: Normal is the factory default setting. |
| Preprinted Texture Normal Rough Smooth | Specifies the relative texture of the preprinted paper loaded Note: Normal is the factory default setting. |
| Colored Texture Normal Rough Smooth | Specifies the relative texture of the colored paper loaded Note: Normal is the factory default setting. |
| Light Texture Normal Rough Smooth | Specifies the relative texture of the paper loaded Note: Normal is the factory default setting. |
| Heavy Texture Normal Rough Smooth | Specifies the relative texture of the paper loaded Note: Normal is the factory default setting. |
| Rough/Cotton Texture Rough | Specifies the relative texture of the cotton paper loaded Note: Rough is the factory default setting. |
| Custom [x] Texture Normal Rough Smooth | Specifies the relative texture of the custom paper loaded Notes: <ul style="list-style-type: none"> • Normal is the factory default setting. • Settings appear only if the custom type is supported. |

Paper Weight menu

| Menu item | Description |
|--|--|
| Plain Weight Normal Heavy Light | Specifies the relative weight of the plain paper loaded Note: Normal is the factory default setting. |
| Card Stock Weight Normal Heavy Light | Specifies the relative weight of the card stock loaded Notes: <ul style="list-style-type: none"> • Normal is the factory default setting. • Settings appear only if card stock is supported. |
| Transparency Weight Normal Heavy Light | Specifies the relative weight of the transparencies loaded Note: Normal is the factory default setting. |
| Recycled Weight Normal Heavy Light | Specifies the relative weight of the recycled paper loaded Note: Normal is the factory default setting. |
| Glossy Weight Normal Heavy Light | Specifies the relative weight of the glossy paper loaded Note: Normal is the factory default setting. |
| Heavy Glossy Weight Heavy | Specifies the relative weight of the glossy paper loaded Note: Heavy is the factory default setting. |
| Labels Weight Normal Heavy Light | Specifies the relative weight of the labels loaded Note: Normal is the factory default setting. |
| Vinyl Labels Weight Normal Heavy Light | Specifies the relative weight of vinyl labels loaded Note: Normal is the factory default setting. |
| Bond Weight Normal Heavy Light | Specifies the relative weight of the bond paper loaded Note: Normal is the factory default setting. |
| Envelope Weight Normal Heavy Light | Specifies the relative weight of the envelopes loaded Note: Normal is the factory default setting. |

| Menu item | Description |
|--|---|
| Rough Envelope Weight Heavy Light Normal | Specifies the relative weight of the envelopes loaded Note: Heavy is the factory default setting. |
| Letterhead Weight Normal Heavy Light | Specifies the relative weight of the letterhead loaded Note: Normal is the factory default setting. |
| Preprinted Weight Normal Heavy Light | Specifies the relative weight of the preprinted paper loaded Note: Normal is the factory default setting. |
| Colored Weight Normal Heavy Light | Specifies the relative weight of the colored paper loaded Note: Normal is the factory default setting. |
| Light Weight Light | Specifies the relative weight of the paper loaded Note: Light is the factory default setting. |
| Heavy Weight Heavy | Specifies the relative weight of the paper loaded Note: Heavy is the factory default setting. |
| Rough/Cotton Weight Normal Heavy Light | Specifies the relative weight of the cotton paper loaded Note: Normal is the factory default setting. |
| Custom [x] Weight Normal Heavy Light | Specifies the relative weight of the custom paper loaded Notes: <ul style="list-style-type: none"> • Normal is the factory default setting. • Settings appear only if the custom type is supported. |

Paper Loading menu

| Menu item | Description |
|--|---|
| Card Stock Loading Off Duplex | Determines whether 2-sided printing occurs for all print jobs that specify Card Stock as the paper type Note: Off is the factory default setting. |
| Notes: <ul style="list-style-type: none"> • Duplex sets the printer default to 2-sided printing for every print job unless 1-sided printing is selected from Print Properties. • If Duplex is selected, then all print jobs are sent through the duplex unit, including 1-sided print jobs. | |

| Menu item | Description |
|--|--|
| Recycled Loading Off Duplex | Determines whether 2-sided printing occurs for all print jobs that specify Recycled as the paper type Note: Off is the factory default setting. |
| Glossy Loading Off Duplex | Determines whether 2-sided printing occurs for all print jobs that specify Glossy as the paper type Note: Off is the factory default setting. |
| Heavy Glossy Loading Off Duplex | Determines whether 2-sided printing occurs for all print jobs that specify Heavy Glossy as the paper type Note: Off is the factory default setting. |
| Labels Loading Off Duplex | Determines whether 2-sided printing occurs for all print jobs that specify Labels as the paper type Note: Off is the factory default setting. |
| Vinyl Labels Loading Off Duplex | Determines whether 2-sided printing occurs for all print jobs that specify Vinyl Labels as the paper type Note: Off is the factory default setting. |
| Bond Loading Off Duplex | Determines whether 2-sided printing occurs for all print jobs that specify Bond as the paper type Note: Off is the factory default setting. |
| Letterhead Loading Off Duplex | Determines whether 2-sided printing occurs for all print jobs that specify Letterhead as the paper type Note: Off is the factory default setting. |
| Preprinted Loading Off Duplex | Determines whether 2-sided printing occurs for all print jobs that specify Preprinted as the paper type Note: Off is the factory default setting. |
| Colored Loading Off Duplex | Determines whether 2-sided printing occurs for all print jobs that specify Colored as the paper type Note: Off is the factory default setting. |
| Light Loading Off Duplex | Determines whether 2-sided printing occurs for all print jobs that specify Light as the paper type Note: Off is the factory default setting. |
| Heavy Loading Off Duplex | Determines whether 2-sided printing occurs for all print jobs that specify Heavy as the paper type Note: Off is the factory default setting. |
| Rough/Cotton Loading Off Duplex | Determines whether 2-sided printing occurs for all print jobs that specify Rough or Cotton as the paper type Note: Off is the factory default setting. |
| Notes: <ul style="list-style-type: none"> • Duplex sets the printer default to 2-sided printing for every print job unless 1-sided printing is selected from Print Properties. • If Duplex is selected, then all print jobs are sent through the duplex unit, including 1-sided print jobs. | |

| Menu item | Description |
|--|---|
| Custom [x] Loading Off Duplex | Determines whether 2-sided printing occurs for all print jobs that specify Custom [x] as the paper type Notes: <ul style="list-style-type: none"> • Off is the factory default setting. • Custom [x] Loading is available only if the custom paper type is supported. |
| Notes: <ul style="list-style-type: none"> • Duplex sets the printer default to 2-sided printing for every print job unless 1-sided printing is selected from Print Properties. • If Duplex is selected, then all print jobs are sent through the duplex unit, including 1-sided print jobs. | |

Custom Types menu

| Menu item | Description |
|---|---|
| Custom Type [x] Paper Card Stock Transparency Glossy Rough/Cotton Labels Vinyl Labels Envelope | Associates a paper or specialty media type with a factory default Custom Type [x] name or a user-defined Custom Name created from the Embedded Web Server or from MarkVision™ Professional Notes: <ul style="list-style-type: none"> • Paper is the factory default setting. • The custom media type must be supported by the selected tray or multipurpose feeder in order to print from that source. |
| Recycled Paper Card Stock Transparency Glossy Rough/Cotton Labels Vinyl Labels Envelope | Specifies a paper type when the Recycled setting is selected in other menus Notes: <ul style="list-style-type: none"> • Paper is the factory default setting. • The custom media type must be supported by the selected tray or multipurpose feeder in order to print from that source. |

Custom Names menu

| Menu item | Definition |
|----------------------------------|--|
| Custom Name [x] [none] | Specify a custom name for a paper type. This name replaces the Custom Type [x] name in the printer menus. |

Custom Bin Names menu

| Menu Item | Description |
|---------------------|--|
| Standard Bin | Specifies a custom name for the Standard Bin |
| Bin [x] | Specifies a custom name for Bin [x] |

Custom Scan Sizes menu

| Menu item | Description |
|--|--|
| Custom Scan Size [x] Scan Size Name Width 1–8.5 inches (25–215.9 mm) Height 1–25 inches (25–635 mm) Orientation Portrait Landscape 2 scans per side Off On | Specifies a custom scan size name, scan sizes and options. The custom scan size name replaces Custom Scan Size [x] in the printer menus. Notes: <ul style="list-style-type: none"> • 8.5 inches is the US factory default setting for Width. 210 millimeters is the international factory default setting for Width. • 14 inches is the US factory default setting for Height. 297 millimeters is the international factory default setting for Height. • Portrait is the factory default setting for Orientation. • Off is the factory default setting for 2 scans per side. |

Universal Setup menu

These menu items are used to specify the height and width of the Universal paper size. The Universal paper size is a user-defined paper size setting. It is listed with the other paper size settings and includes similar options, such as support for duplex printing and printing multiple pages on one sheet.

| Menu item | Description |
|--|---|
| Units of Measure Inches Millimeters | Identifies the unit of measure Note: Inches is the US factory default setting. Millimeters is the international factory default setting. |
| Portrait Width 3–48 inches 76–1219 mm | Sets the portrait width Notes: <ul style="list-style-type: none"> • If the width exceeds the maximum, then the printer uses the maximum width allowed. • 8.5 inches is the US factory default setting. 216 mm is the international factory default setting. • The width can be increased in 0.01-inch or in 1-mm increments. |

| Menu item | Description |
|---|--|
| Portrait Height 3–48 inches 76–1219 mm | Sets the portrait height Notes: <ul style="list-style-type: none"> • If the height exceeds the maximum, then the printer uses the maximum height allowed. • 14 inches is the US factory default setting. 356 mm is the international factory default setting. • The height can be increased in 0.01-inch or in 1-mm increments. |
| Feed Direction Short Edge Long Edge | Specifies the feed direction Notes: <ul style="list-style-type: none"> • Short Edge is the factory default setting. • Long Edge appears only if the longest edge is shorter than the maximum width supported in the tray. |

Bin Setup menu

| Menu item | Description |
|---|--|
| Output Bin Standard Bin Bin [x] | Specifies the default exit bin Note: Standard Bin is the factory default setting. |
| Configure Bins Mailbox Link Mail Overflow Link Optional Type Assignment | Specifies configuration options for exit bins Notes: <ul style="list-style-type: none"> • Mailbox is the factory default setting. This setting treats each bin as a separate mailbox. • Link configures all available bins as one large exit bin. • Mail Overflow assigns an overflow bin when the mailbox bins become full. • Link Optional links together all available exit bins except the standard bin and only appears when at least two optional bins are installed. • Type Assignment assigns each paper type to an exit bin or linked bin set. • Bins assigned the same name are automatically linked unless Link Optional is selected. |
| Overflow Bin Standard Bin Bin [x] | Specifies an alternate exit bin when a designated bin is full Note: Standard Bin is the factory default setting. |

| Menu item | Description |
|--|---|
| Assign Type/Bin Plain Paper Bin Card Stock Bin Transparency Bin Recycled Bin Glossy Bin Heavy Glossy Bin Labels Bin Vinyl Labels Bin Bond Bin Envelope Bin Rough Envelope Bin Letterhead Bin Preprinted Bin Colored Bin Light Paper Bin Heavy Paper Bin Rough/Cotton Bin Custom [x] Bin | Selects an exit bin for each supported paper type Select from the following options for each type: Disabled Standard Bin Bin [x] Note: Disabled is the factory default setting. |

Reports menu

Reports menu

| Menu item | Description |
|-------------------------------|---|
| Menu Settings Page | Prints a report containing information about the paper loaded into trays, installed memory, total page count, alarms, timeouts, printer control panel language, TCP/IP address, status of supplies, status of the network connection, and other information |
| Device Statistics | Prints a report containing printer statistics such as supply information and details about printed pages |
| Network Setup Page | Prints a report containing information about the network printer settings, such as the TCP/IP address information Note: This menu item appears only in network printers or printers connected to print servers. |
| Network [x] Setup Page | Prints a report containing information about the network printer settings, such as the TCP/IP address information Notes: <ul style="list-style-type: none"> This menu item is available when there is more than one network option installed. This menu item appears only in network printers or printers connected to print servers. |

| Menu item | Description |
|-------------------------|---|
| Shortcut List | Prints a report containing information about configured shortcuts |
| Fax Job Log | Prints a report containing information about the last 200 completed faxes Note: This menu item is available only when Enable Job Log is set to On in the Fax Settings menu. |
| Fax Call Log | Prints a report containing information about the last 100 attempted, received, and blocked calls Note: This menu item is available only when Enable Job Log is set to On in the Fax Settings menu. |
| Copy Shortcuts | Prints a report containing information about copy shortcuts |
| E-mail Shortcuts | Prints a report containing information about e-mail shortcuts |
| Fax Shortcuts | Prints a report containing information about fax shortcuts |
| FTP Shortcuts | Prints a report containing information about FTP shortcuts |
| Profiles List | Prints a list of profiles stored in the printer |
| Print Fonts | Prints a report of all the fonts available for the printer language currently set in the printer |
| Print Directory | Prints a list of all the resources stored on an optional flash memory card or printer hard disk Notes: <ul style="list-style-type: none"> • Job Buffer Size must be set to 100%. • Make sure the optional flash memory or printer hard disk is installed correctly and working. |
| Asset Report | Prints a report containing asset information including the printer serial number and model name. The report contains text and UPC barcodes that can be scanned into an asset database. |

Network/Ports menu

Active NIC menu

| Menu item | Description |
|--|---|
| Active NIC Auto [list of available network cards] | Notes: <ul style="list-style-type: none"> • Auto is the factory default setting. • This menu item appears only if an optional network card is installed. |

Standard Network or Network [x] menus

Note: Only active ports appear in this menu; all inactive ports are omitted.

| Menu item | Description |
|--|---|
| PCL SmartSwitch On Off | Sets the printer to automatically switch to PCL emulation when a print job requires it, regardless of the default printer language Notes: <ul style="list-style-type: none"> • On is the factory default setting. • When Off is used, the printer does not examine incoming data. The printer uses PostScript emulation if PS SmartSwitch is set to On. It uses the default printer language specified in the Setup menu if PS SmartSwitch is set to Off. |
| PS SmartSwitch On Off | Sets the printer to automatically switch to PS emulation when a print job requires it, regardless of the default printer language Notes: <ul style="list-style-type: none"> • On is the factory default setting. • When Off is used, the printer does not examine incoming data. The printer uses PCL emulation if PCL SmartSwitch is set to On. It uses the default printer language specified in the Setup menu if PCL SmartSwitch is set to Off. |
| NPA Mode Auto Off | Sets the printer to perform the special processing required for bidirectional communication following the conventions defined by the NPA protocol Notes: <ul style="list-style-type: none"> • Auto is the factory default setting. • Changing this setting from the printer control panel and then exiting the menus causes the printer to restart. The menu selection is then updated. |
| Network Buffer Auto 3KB to [maximum size allowed] | Sets the size of the network input buffer Notes: <ul style="list-style-type: none"> • Auto is the factory default setting. • The value can be changed in 1-KB increments. • The maximum size allowed depends on the amount of memory in the printer, the size of the other link buffers, and whether Resource Save is set to On or Off. • To increase the maximum size range for the Network Buffer, disable or reduce the size of the parallel, serial, and USB buffers. • Changing this setting from the printer control panel and then exiting the menus causes the printer to restart. The menu selection is then updated. |
| Job Buffering Off On Auto | Temporarily stores print jobs on the printer hard disk before printing. This menu only appears if a formatted disk is installed. Notes: <ul style="list-style-type: none"> • Off is the factory default setting. • On buffers print jobs on the printer hard disk. • Auto buffers print jobs only if the printer is busy processing data from another input port. • Changing this setting from the printer control panel and then exiting the menus causes the printer to restart. The menu selection is then updated. |

| Menu item | Description |
|---|---|
| Mac Binary PS Auto On Off | Sets the printer to process Macintosh binary PostScript print jobs Notes: <ul style="list-style-type: none"> • Auto is the factory default setting. • Off filters print jobs using the standard protocol. • On processes raw binary PostScript print jobs. |
| Standard Network Setup Reports Network Card TCP/IP IPv6 Wireless AppleTalk | Displays and sets the printer network settings. Note: The Wireless menu appears only when the printer is connected to a wireless network. |
| Network [x] Setup Reports Network Card TCP/IP IPv6 Wireless AppleTalk | |

Network Reports menu

This menu is available from the Network/Ports menu:

Network/Ports > Standard Network or Network [x] > Standard Network Setup or Network Setup > Reports or Network Reports

| Menu item | Description |
|-------------------------|---|
| Print Setup Page | Prints a report containing information about the network printer settings, such as the TCP/IP address |

Network Card menu

This menu is available from the Network/Ports menu:

Network/Ports > Standard Network or Network [x] > Standard Network Setup or Network [x] Setup > Network Card

| Menu item | Description |
|--|--|
| View Card Status Connected Disconnected | Lets you view the connection status of the network card |
| View Card Speed | Lets you view the speed of a currently active network card |

| Menu item | Description |
|---|---|
| View Network Address UAA LAA | Lets you view the network addresses |
| End-of-Job Timeout 0–255 | Sets the amount of time in seconds before a network print job is canceled. Notes: <ul style="list-style-type: none"> • 90 seconds is the factory default setting. • A setting value of 0 disables the timeout. • If a value of 1–9 is selected, then the setting is saved as 10. |
| Banner Page Off On | Allows the printer to print a banner page. Note: Off is the factory default setting. |

TCP/IP menu

This menu is available from the Network/Ports menu:

Network/Ports > Standard Network or **Network [x] > Standard Network Setup** or **Network [x] Setup > TCP/IP**

Note: This menu is available only in network models or printers attached to print servers.

| Menu item | Description |
|----------------------------------|--|
| Activate On Off | Activates TCP/IP Note: On is the factory default setting. |
| Set Hostname | Lets you set the current TCP/IP hostname Note: This can be changed only from the Embedded Web Server. |
| IP Address | Lets you view or change the current TCP/IP address Note: Manually setting the IP address sets the Enable DHCP and Enable Auto IP settings to Off. It also sets Enable BOOTP and Enable RARP to Off on systems that support BOOTP and RARP. |
| Netmask | Lets you view or change the current TCP/IP netmask |
| Gateway | Lets you view or change the current TCP/IP gateway |
| Enable DHCP On Off | Specifies the DHCP address and parameter assignment setting Note: On is the factory default setting. |
| Enable RARP On Off | Specifies the RARP address assignment setting Note: On is the factory default setting. |
| Enable BOOTP On Off | Specifies the BOOTP address assignment setting Note: On is the factory default setting. |

| Menu item | Description |
|--|---|
| Enable AutoIP Yes No | Specifies the Zero Configuration Networking setting Note: Yes is the factory default setting. |
| Enable FTP/TFTP Yes No | Enables the built-in FTP server, which allows you to send files to the printer using File Transfer Protocol. Note: Yes is the factory default setting. |
| Enable HTTP Server Yes No | Enables the built-in web server (Embedded Web Server). When enabled, the printer can be monitored and managed remotely using a web browser. Note: Yes is the factory default setting. |
| WINS Server Address | Lets you view or change the current WINS server address |
| Enable DDNS Yes No | Lets you view or change the current DDNS setting Note: Yes is the factory default setting. |
| Enable mDNS Yes No | Lets you view or change the current mDNS setting Note: Yes is the factory default setting. |
| DNS Server Address | Lets you view or change the current DNS server address |
| Enable HTTPS Yes No | Lets you view or change the current HTTPS setting Note: Yes is the factory default setting. |

IPv6 menu

This menu is available from the Network/Ports menu:

Network/Ports > Standard Network or **Network [x] > Standard Network Setup** or **Network [x] Setup > IPv6**

Note: This menu is available only for network models or printers attached to print servers.

| Menu item | Description |
|--|--|
| Enable IPv6 On Off | Enables IPv6 in the printer Note: On is the factory default setting. |
| Auto Configuration On Off | Specifies whether the network adapter accepts the automatic IPv6 address configuration entries provided by a router Note: On is the factory default setting. |
| Set Hostname | Lets you set the hostname |
| View Address | Note: These settings can be changed only from the Embedded Web Server. |
| View Router Address | |
| Enable DHCPv6 On Off | Enables DHCPv6 in the printer Note: On is the factory default setting. |

Wireless menu

Use the following menu items to view or configure the wireless internal print server settings.

Note: This menu is available only for models connected to a wireless network.

The Wireless menu is available from the Network/Ports menu:

Network/Ports > Standard Network or Network [x] > Standard Network Setup or Network [x] Setup > Wireless

| Menu item | Description |
|---|--|
| WPS PBC Mode | Lets you connect the printer to a wireless network by pressing buttons on both the printer and the access point (wireless router) within a given period of time |
| WPS PIN Mode | Lets you connect the printer to a wireless network by using a PIN on the printer and entering it into the wireless settings of the access point |
| WPS Auto Detect Disable Enable | Automatically detects the connection method that an access point with WPS uses— WPS Push Button Configuration (PBC) or WPS Personal Identification Number (PIN) Note: Disable is the factory default setting. |
| Network Mode Ad hoc Infrastructure | Specifies the network mode Notes: <ul style="list-style-type: none"> Ad hoc is the factory default setting. This configures wireless connection directly between the printer and a computer. Infrastructure lets the printer access a network using an access point. |
| Compatibility 802.11b/g/n 802.11n 802.11b/g | Specifies the wireless standard for the wireless network Note: The 802.11b/g/n is the factory default setting. |
| Choose Network [list of available networks] | Lets you select an available network for the printer to use |
| View Signal Quality | Lets you view the quality of the wireless connection |
| View Security Mode | Lets you view the encryption method that a wireless network uses |

Note: *Wi-Fi Protected Setup (WPS)* is a simple and secure configuration that allows you to establish a wireless network and enable network security without requiring prior knowledge of Wi-Fi technology. It is no longer necessary to configure the network name (SSID) and WEP key or WPA passphrase for network devices.

AppleTalk menu

This menu is available from the Network/Ports menu:

Network/Ports > Standard Network or Network [x] > Standard Network Setup or Network [x] Setup > AppleTalk

| Menu item | Description |
|--|---|
| Activate Yes No | Activates AppleTalk support Note: Yes is the factory default setting. |
| View Name | Shows the assigned AppleTalk name Note: The name can be changed only from the Embedded Web Server. |
| View Address | Shows the assigned AppleTalk address Note: The address can be changed only from the Embedded Web Server. |
| Set Zone [default] [list of zones available on the network] | Provides a list of AppleTalk zones available on the network Note: When “default” is selected, the printer uses the AppleTalk zone that the router identifies as the default zone for the network. If no default zone exists, then the zone marked with an * is the default setting. |

Standard USB menu

| Menu item | Description |
|--------------------------------------|--|
| PCL SmartSwitch On Off | Sets the printer to automatically switch to PCL emulation when a print job received through a USB port requires it, regardless of the default printer language Notes: <ul style="list-style-type: none"> • On is the factory default setting. • When set to Off, the printer does not examine incoming data. The printer uses PostScript emulation if the PS SmartSwitch is set to On. It uses the default printer language specified in the Setup menu if the PS SmartSwitch is set to Off. |
| PS SmartSwitch On Off | Sets the printer to automatically switch to PS emulation when a print job received through a USB port requires it, regardless of the default printer language Notes: <ul style="list-style-type: none"> • On is the factory default setting. • When set to Off, the printer does not examine incoming data. The printer uses PCL emulation if the PCL SmartSwitch is set to On. It uses the default printer language specified in the Setup menu if the PCL SmartSwitch is set to Off. |
| NPA Mode Auto On Off | Sets the printer to perform the special processing required for bidirectional communication following the conventions defined by the NPA protocol Notes: <ul style="list-style-type: none"> • Auto is the factory default setting. Auto sets the printer to examine data, determine the format, and then process it appropriately. • Changing this setting from the printer control panel and then exiting the menus causes the printer to restart. The menu selection is then updated. |

| Menu item | Description |
|--|---|
| USB Buffer Auto 3KB to [maximum size allowed] Disabled | Sets the size of the USB input buffer Notes: <ul style="list-style-type: none"> • Auto is the factory default setting. • Disabled turns off job buffering. Any jobs already buffered on the printer hard disk are printed before normal processing resumes. • The USB buffer size value can be changed in 1-KB increments. • The maximum size allowed depends on the amount of memory in the printer, the size of the other link buffers, and whether Resource Save is set to On or Off. • To increase the maximum size range for the USB Buffer, disable or reduce the size of the parallel, serial, and network buffers. • Changing this setting from the printer control panel and then exiting the menus causes the printer to restart. The menu selection is then updated. |
| Job Buffering Off On Auto | Temporarily stores print jobs on the printer hard disk before printing Notes: <ul style="list-style-type: none"> • Off is the factory default setting. • On buffers jobs on the printer hard disk. • Auto buffers print jobs only if the printer is busy processing data from another input port. • Changing this setting from the printer control panel and then exiting the menus causes the printer to restart. The menu selection is then updated. |
| Mac Binary PS Auto On Off | Sets the printer to process Macintosh binary PostScript print jobs Notes: <ul style="list-style-type: none"> • Auto is the factory default setting. • On processes raw binary PostScript print jobs. • Off filters print jobs using the standard protocol. |
| ENA Address YYY.YYY.YYY.YYY | Sets the network address information for an external print server Note: This menu item is available only if the printer is attached to an external print server through the USB port. |
| ENA Netmask YYY.YYY.YYY.YYY | Sets the netmask information for an external print server Note: This menu item is available only if the printer is attached to an external print server through the USB port. |
| ENA Gateway YYY.YYY.YYY.YYY | Sets the gateway information for an external print server Note: This menu item is available only if the printer is attached to an external print server through the USB port. |

Parallel [x] menu

| Menu item | Description |
|---|---|
| PCL SmartSwitch On Off | Sets the printer to automatically switch to PCL emulation when a print job received through a serial port requires it, regardless of the default printer language Notes: <ul style="list-style-type: none"> • On is the factory default setting. • When set to Off, the printer does not examine incoming data. The printer uses PostScript emulation if PS SmartSwitch is set to On. It uses the default printer language specified in the Setup menu if PS SmartSwitch is set to Off. |
| PS SmartSwitch On Off | Sets the printer to automatically switch to PS emulation when a print job received through a serial port requires it, regardless of the default printer language Notes: <ul style="list-style-type: none"> • On is the factory default setting. • When set to Off, the printer does not examine incoming data. The printer uses PCL emulation if PCL SmartSwitch is set to On. It uses the default printer language specified in the Setup menu if PCL SmartSwitch is set to Off. |
| NPA Mode Auto On Off | Sets the printer to perform the special processing required for bidirectional communication following the conventions defined by the NPA protocol Notes: <ul style="list-style-type: none"> • Auto is the factory default setting. • Changing this setting from the printer control panel and then exiting the menus causes the printer to restart. The menu selection is then updated. |
| Parallel Buffer Auto 3KB to [maximum size allowed] Disabled | Sets the size of the parallel input buffer Notes: <ul style="list-style-type: none"> • Auto is the factory default setting. • Disabled turns off job buffering. Any print jobs already buffered on the printer hard disk are printed before normal processing resumes. • The parallel buffer size setting can be changed in 1-KB increments. • The maximum size allowed depends on the amount of memory in the printer, the size of the other link buffers, and whether Resource Save is set to On or Off. • To increase the maximum size range for the Parallel Buffer, disable or reduce the size of the USB, serial, and network buffers. • Changing this setting from the printer control panel and then exiting the menus causes the printer to restart. The menu selection is then updated. |

| Menu item | Description |
|---|--|
| Job Buffering Off On Auto | Temporarily stores print jobs on the printer hard disk before printing Notes: <ul style="list-style-type: none"> • Off is the factory default setting. • On buffers print jobs on the printer hard disk. • Auto buffers print jobs only if the printer is busy processing data from another input port. • Changing this setting from the printer control panel and then exiting the menus causes the printer to restart. The menu selection is then updated. |
| Advanced Status On Off | Enables bidirectional communication through the parallel port Notes: <ul style="list-style-type: none"> • On is the factory default setting. • Off disables parallel port negotiation. |
| Protocol Fastbytes Standard | Specifies the parallel port protocol Notes: <ul style="list-style-type: none"> • Fastbytes is the factory default setting. It provides compatibility with most existing parallel ports and is the recommended setting. • Standard tries to resolve parallel port communication problems. |
| Honor Init Off On | Determines if the printer honors printer hardware initialization requests from the computer Notes: <ul style="list-style-type: none"> • Off is the factory default setting. • The computer requests initialization by activating the Init signal from the parallel port. Many personal computers activate the Init signal each time the computer is turned on. |
| Parallel Mode 2 On Off | Determines if the parallel port data is sampled on the leading or trailing edge of a strobe Note: On is the factory default setting. |
| Mac Binary PS Auto On Off | Sets the printer to process Macintosh binary PostScript print jobs Notes: <ul style="list-style-type: none"> • Auto is the factory default setting. • Off filters print jobs using the standard protocol. • On processes raw binary PostScript print jobs. |
| ENA Address YYY·YYY·YYY·YYY | Sets the network address information for an external print server Note: This menu item is available only if the printer is attached to an external print server through the USB port. |
| ENA Netmask YYY·YYY·YYY·YYY | Sets the netmask information for an external print server Note: This menu item is available only if the printer is attached to an external print server through the USB port. |

| Menu item | Description |
|---------------------------------------|---|
| ENA gateway YYY.YYY.YYY.YYY | Sets the gateway information for an external print server Note: This menu item is available only if the printer is attached to an external print server through the USB port. |

Serial [x] menu

| Menu item | Description |
|--------------------------------------|--|
| PCL SmartSwitch On Off | Sets the printer to automatically switch to PCL emulation when a print job received through a serial port requires it, regardless of the default printer language Notes: <ul style="list-style-type: none"> • On is the factory default setting. • When set to Off, the printer does not examine incoming data. The printer uses PostScript emulation if PS SmartSwitch is set to On. It uses the default printer language specified in the Setup menu if PS SmartSwitch is set to Off. |
| PS SmartSwitch On Off | Sets the printer to automatically switch to PS emulation when a print job received through a serial port requires it, regardless of the default printer language Notes: <ul style="list-style-type: none"> • On is the factory default setting. • When set to Off, the printer does not examine incoming data. The printer uses PCL emulation if PCL SmartSwitch is set to On. It uses the default printer language specified in the Setup menu if PCL SmartSwitch is set to Off. |
| NPA Mode Auto On Off | Sets the printer to perform the special processing required for bidirectional communication following the conventions defined by the NPA protocol Notes: <ul style="list-style-type: none"> • Auto is the factory default setting. Auto sets the printer to examine data, determine the format, and then processes it appropriately. • When set to On, the printer performs NPA processing. If the data is not in NPA format, it is rejected as bad data. • When set to Off, the printer does not perform NPA processing. • Changing this setting from the printer control panel and then exiting the menus causes the printer to restart. The menu selection is then updated. |

| Menu item | Description |
|---|--|
| Serial Buffer Auto 3KB to [maximum size allowed] Disabled | Sets the size of the serial input buffer Notes: <ul style="list-style-type: none"> • Auto is the factory default setting. • Disabled turns off job buffering. Any jobs already buffered on the disk are printed before normal processing is resumed. • The serial buffer size setting can be changed in 1-KB increments. • The maximum size allowed depends on the amount of memory in the printer, the size of the other link buffers, and whether Resource Save is set to On or Off. • To increase the maximum size range for the Serial Buffer, disable or reduce the size of the parallel, serial, and network buffers. • Changing this setting from the printer control panel and then exiting the menus causes the printer to restart. The menu selection is then updated. |
| Job Buffering Off On Auto | Temporarily stores print jobs on the printer hard disk before printing Notes: <ul style="list-style-type: none"> • Off is the factory default setting. The printer does not buffer print jobs on the printer hard disk. • On buffers print jobs on the printer hard disk. • Auto buffers print jobs only if the printer is busy processing data from another input port. • Changing this setting from the printer control panel and then exiting the menus causes the printer to restart. The menu selection is then updated. |
| Protocol DTR DTR/DSR XON/XOFF XON/XOFF/DTR XONXOFF/DTRDSR | Selects the hardware and software handshaking settings for the serial port Notes: <ul style="list-style-type: none"> • DTR is the factory default setting. • DTR/DSR is a hardware handshaking setting. • XON/XOFF is a software handshaking setting. • XON/XOFF/DTR and XON/XOFF/DTR/DSR are combined hardware and software handshaking settings. |
| Robust XON Off On | Determines whether the printer communicates availability to the computer Notes: <ul style="list-style-type: none"> • Off is the factory default setting. • This menu item applies only to the serial port if Serial Protocol is set to XON/XOFF. |

| Menu item | Description |
|--|---|
| Baud 9600 19200 38400 57600 115200 138200 172800 230400 345600 1200 2400 4800 | Specifies the rate at which data can be received through the serial port Notes: <ul style="list-style-type: none"> • 9600 is the factory default setting. • 138200, 172800, 230400, and 345600 baud rates are only displayed in the Standard Serial menu. These settings do not appear in the Serial Option 1, Serial Option 2, or Serial Option 3 menus. |
| Data Bits 8 7 | Specifies the number of data bits sent in each transmission frame Note: 8 is the factory default setting. |
| Parity None Ignore Even Odd | Sets the parity for serial input and output data frames Note: None is the factory default setting. |
| Honor DSR Off On | Determines whether the printer uses the DSR Signal Notes: <ul style="list-style-type: none"> • Off is the factory default setting. • DSR is a handshaking signal used by most serial cables. The serial port uses DSR to distinguish data sent by the computer from data created by electrical noise in the serial cable. The electrical noise can cause stray characters to print. Set this to On to prevent stray characters from printing. |

SMTP Setup menu

| Menu item | Description |
|------------------------------------|---|
| Primary SMTP Gateway | Specifies SMTP server gateway and port information Note: 25 is the default SMTP gateway port. |
| Primary SMTP Gateway Port | |
| Secondary SMTP Gateway | |
| Secondary SMTP Gateway Port | |
| SMTP Timeout 5–30 | Specifies the amount of time in seconds before the server stops trying to send an e-mail Note: 30 seconds is the factory default setting. |
| Reply Address | Specifies a reply address of up to 128 characters in the e-mail sent by the printer |

| Menu item | Description |
|---|---|
| Use SSL Disabled Negotiate Required | Sets the printer to use SSL for increased security when connecting to the SMTP server Notes: <ul style="list-style-type: none"> • Disabled is the factory default setting. • When the Negotiate setting is used, the SMTP server determines if SSL will be used. |
| SMTP Server Authentication No authentication required Login/Plain CRAM-MD5 Digest-MD5 NTLM Kerberos 5 | Specifies the type of user authentication required for scan to e-mail privileges Note: “No authentication required” is the factory default setting. |
| Device-Initiated E-mail None Use Device SMTP Credentials | Specifies what credentials will be used when communicating to the SMTP server. Some SMTP servers require credentials to send an e-mail. Notes: <ul style="list-style-type: none"> • None is the factory default setting for Device and User-Initiated E-mail. • Device Userid and Device Password are used to log in to the SMTP server when Use Device SMTP Credentials is selected. |
| User-Initiated E-mail None Use Device SMTP Credentials Use Session User ID & Password Use Session E-mail address & Password Prompt User | |
| Device Userid | |
| Device Password | |
| Kerberos 5 Realm | |
| NTLM Domain | |

Security menu

Editing Security Setups menu

| Menu item | Description |
|--------------------------------|--|
| Edit Backup Password | Creates a backup password Note: This menu item will only appear if a backup password exists. |
| Edit Building Blocks | Edits the Internal Accounts, NTLM, various Setups, Password, and PIN |
| Edit Security Templates | Adds or edits a Security Template |
| Edit Access Controls | Controls access to printer menus, firmware updates, held jobs, and other access points |

Miscellaneous Security Settings menu

| Menu item | Description |
|--|--|
| <p>Login Restrictions</p> <ul style="list-style-type: none"> Login failures Failure time frame Lockout time Panel Login Timeout Remote Login Timeout | <p>Limits the number and time frames of failed login attempts from the printer control panel before <i>all</i> users are locked out</p> <p>Notes:</p> <ul style="list-style-type: none"> • “Login failures” specifies the number of failed login attempts before users are locked out. Settings range from 1–10 attempts is the factory default setting. • “Failure time frame” specifies the time frame during which failed login attempts can be made before users are locked out. Settings range from 1–60 minutes. 5 minutes is the factory default setting. • “Lockout time” specifies how long users are locked out after exceeding the login failures limit. Settings range from 1–60 minutes. 5 minutes is the factory default setting. 1 indicates the printer does not impose a lockout time. • “Panel Login Timeout” specifies how long the printer remains idle on the Home screen before automatically logging the user off. Settings range from 1–900 seconds. 30 seconds is the factory default setting. • “Remote Login Timeout” specifies how long a remote interface remains idle before automatically logging the user off. Settings range from 1–120 seconds. 10 minutes is the factory default setting. |
| <p>Security Reset Jumper</p> <ul style="list-style-type: none"> Access controls=“No Security” No Effect Reset factory security defaults | <p>Changes the value of the security settings</p> <p>Notes:</p> <ul style="list-style-type: none"> • Access controls=“No Security” retains all the security information that the user has defined. “No Security” is the factory default setting. • “No Effect” means the reset has no effect on the device’s security configuration. • “Reset factory security defaults” deletes all security information that the user has defined, and assigns the factory default value to each setting in the Miscellaneous Security Settings section of both the panel and the Web page. |
| <p>LDAP Certificate Verification</p> <ul style="list-style-type: none"> Demand Try Allow Never | <p>Allows the user to request a server certificate</p> <p>Notes:</p> <ul style="list-style-type: none"> • “Demand” means a server certificate is requested. If a bad certificate is provided or if no certificate is provided, the session is terminated immediately. “Demand” is the factory default setting. • “Try” means a server certificate is requested. If no certificate is provided, the session proceeds normally. If a bad certificate is provided, the session is terminated immediately. • “Allow” means a server certificate is requested. If no certificate is provided, the session proceeds normally. If a bad certificate is provided, it will be ignored and the session proceeds normally. • “Never” means no server certificate is requested. |
| <p>Minimum PIN Length</p> <ul style="list-style-type: none"> 1–16 | <p>Limits the digit length of the PIN.</p> <p>Note: 4 is the is the factory default setting.</p> |

Confidential Print menu

| Menu item | Description |
|---|---|
| Max Invalid PIN Off 2–10 | Limits the number of times an invalid PIN can be entered Notes: <ul style="list-style-type: none"> • Off is the factory default setting. • This menu item appears only if a formatted, non-defective printer hard disk is installed. • Once the limit is reached, the print job for that user name and that PIN are deleted. |
| Job Expiration Off 1 hour 4 hours 24 hours 1 week | Limits the amount of time a confidential print job stays in the printer before it is deleted Notes: <ul style="list-style-type: none"> • Off is the factory default setting. • If the Job Expiration setting is changed while confidential print jobs reside on the printer RAM or printer hard disk, then the expiration time for those print jobs does not change to the new default value. • If the printer is turned off, all confidential jobs held in printer RAM are deleted. |

Disk Wiping menu

Disk Wiping erases *only* print job data on the printer hard disk that *are not* currently in use by the file system. All permanent data on the printer hard disk are preserved, such as downloaded fonts, macros, and held jobs.

Note: This menu appears only when a formatted, non-defective printer hard disk is installed.

| Menu item | Description |
|---|--|
| Wiping Mode Auto Manual Off | Specifies the mode for disk wiping Note: Auto is the factory default setting. The printer determines when to initiate a disk wipe. |
| Scheduled Wiping Time Day | Sets the schedule for disk wiping Notes: <ul style="list-style-type: none"> • Time is used to set the time for scheduled wiping. • Day is used to set the specific day or period for scheduled wiping. Values are Sunday to Friday, Everyday, Weekdays, and Weekends. • Scheduled wipes are initiated <i>without</i> displaying a user warning or confirmation message. • Both manual and scheduled wiping allow the file system to reuse marked disk space without first having to wipe it. |

| Menu item | Description |
|---|--|
| Manual Wiping Do not start now Start now | Overwrites all disk space that has been used to hold data from a print job that has been processed (printed). This type of wipe <i>does not</i> erase any information related to an unprocessed print job. Notes: <ul style="list-style-type: none"> • “Do not start now” is the factory default setting. • If the Disk Wiping access control is activated, then a user must successfully authenticate and have the required authorization in order to initiate the disk wipe. |
| Automatic Method Single pass Multiple pass | Marks all disk space used by a previous print job and does not permit the file system to reuse this space until it has been cleared Notes: <ul style="list-style-type: none"> • “Single pass” is the factory default setting. • Only automatic wiping enables users to activate disk wiping without having to turn the printer off for an extended amount of time. • Highly confidential information should be wiped using <i>only</i> the Multiple pass method. |
| Manual Method Single pass Multiple pass | Allows the file system to reuse marked disk space without having to wipe it first Notes: <ul style="list-style-type: none"> • “Single pass” is the factory default setting. • Highly confidential information should be wiped using the Multiple pass method <i>only</i>. |
| Scheduled Method Single pass Multiple pass | Allows the file system to reuse marked disk space without having to wipe it first Note: “Single pass” is the factory default setting. |

Security Audit Log menu

| Menu item | Description |
|--------------------------------|---|
| Export Log | Enables an authorized user to export the security log Notes: <ul style="list-style-type: none"> • To export the log from the printer control panel, a flash drive must be attached to the printer. • From the Embedded Web Server, the log can be downloaded to a computer. |
| Delete Log Yes No | Specifies whether audit logs are deleted Note: Yes is the factory default setting. |

| Menu item | Description |
|--|--|
| Configure Log Enable Audit Enable Remote Syslog Remote Syslog Server Remote Syslog Port Remote Syslog Method Remote Syslog Facility Log full behavior Admin's e-mail address Digitally sign exports Severity of events to log Remote Syslog non-logged events E-mail log cleared alert E-mail log wrapped alert E-mail % full alert % full alert level E-mail log exported alert E-mail log settings changed alert Log line endings | Specifies whether and how the audit logs are created Note: Factory default settings enable the security audit log. |

Set Date and Time menu

| Menu item | Description |
|--|---|
| Current Date and Time | Lets you view the current date and time settings for the printer |
| Manually Set Date and Time | Note: Date/Time is set in YYYY-MM-DD HH:MM:SS format. |
| Time Zone | Note: GMT is the factory default setting. |
| Automatically Observe DST On Off | Note: On is the factory default setting and uses the applicable Daylight Saving Time associated with the Time Zone setting. |
| Custom Time Zone Setup DST Start Week DST Start DayOff DST Start Month DST Start Time DST End Week DST End Day DST End Month DST End Time DST Offset | Enables the user to set up the time zone |
| Enable NTP On Off | Enables Network Time Protocol, which synchronizes the clocks of devices on a network Note: On is the factory default setting. |

| Menu item | Description |
|---|---|
| NTP Server | Lets you view the NTP Server Address |
| Enable Authentication Off On | Lets you change the authentication setting to on or off Note: Off is the factory default setting. |

Settings menu

General Settings menu

| Menu item | Description |
|--|---|
| Display Language English Francais Deutsch Italiano Espanol Greek Dansk Norsk Nederlands Svenska Portuguese Suomi Russian Polski Magyar Turkce Cesky Simplified Chinese Traditional Chinese Korean Japanese | Sets the language of the text appearing on the display Note: All languages may not be available for all printers. |

| Menu item | Description |
|---|---|
| Eco-Mode Off Energy Energy/Paper Paper | Minimizes the use of energy, paper, or specialty media Notes: <ul style="list-style-type: none"> • Off is the factory default setting. Off resets the printer to its factory default settings. • Energy minimizes the power used by the printer. Performance may be affected, but print quality is not. • Energy/Paper minimizes the use of power and of paper and specialty media. • Paper minimizes the amount of paper and specialty media needed for a print job. Performance may be affected, but print quality is not. |
| ADF Loaded Beep Enabled Disabled | Specifies whether the ADF sounds a beep when paper is loaded Note: Enabled is the factory default setting. |
| Quiet Mode Off On | Reduces the amount of noise produced by the printer Notes: <ul style="list-style-type: none"> • Off is the factory default setting. This setting supports the performance specifications for your printer. • On configures the printer to produce as little noise as possible. This setting is best suited for printing text and line graphics. • For optimal printing of color-rich documents, set Quiet Mode to Off. • Selecting Photo from the driver may disable Quiet Mode and provide better print quality and full speed printing. |
| Run Initial setup Yes No | Instructs the printer to run the setup wizard Notes: <ul style="list-style-type: none"> • Yes is the factory default setting. • After completing the setup wizard by selecting Done at the Country select screen, the default becomes No. |

| Menu item | Description |
|---|--|
| <p>Keyboard</p> <ul style="list-style-type: none"> Keyboard Type <ul style="list-style-type: none"> English Francais Francais Canadien Deutsch Italiano Espanol Greek Dansk Norsk Nederlands Svenska Suomi Portuguese Russian Polski Swiss German Swiss French Korean Magyar Turkish Czech Simplified Chinese Traditional Chinese Japanese Custom Key [x] | <p>Specifies a language and custom key information for the printer control panel keyboard. The additional tabs enable access to accent marks and symbols from the printer control panel keyboard.</p> |
| <p>Paper Sizes</p> <ul style="list-style-type: none"> US Metric | <p>Notes:</p> <ul style="list-style-type: none"> • US is the factory default setting. • Initial setting is determined by your country or region selection in the initial setup wizard. • Changing this setting also changes the default for each input source in the Paper Size/Paper Type menu. |
| <p>Scan to PC Port Range [port range]</p> | <p>Specifies a valid port range for printers behind a port blocking firewall. The valid ports are specified by two sets of numbers separated by a semicolon.</p> <p>Note: 9751:12000 is the factory default setting.</p> |

| Menu item | Description |
|---|---|
| <p>Displayed Information</p> <ul style="list-style-type: none"> Left side Right side Custom Text [x] [x] Toner Fuser Transfer Module | <p>Specifies what is displayed on the upper left and right corners of the home screen</p> <p>For the Left side and Right side menus, select from the following options:</p> <ul style="list-style-type: none"> None IP Address Hostname Contact Name Location Date/Time mDNS/DDNS Service Name Zero Configuration Name Custom Text [x] Model Name <p>For the [x] Toner, [x] Fuser, and Transfer Module menus, select from the following options:</p> <ul style="list-style-type: none"> When to display <ul style="list-style-type: none"> Do not display Display Message to Display <ul style="list-style-type: none"> Default Alternate Default <ul style="list-style-type: none"> [text entry] Alternate <ul style="list-style-type: none"> [text entry] <p>Notes:</p> <ul style="list-style-type: none"> • IP Address is the factory default setting for Left side. • Date/Time is the factory default setting for Right side. • “Do not display” is the factory default setting for “When to display.” • Default is the factory default setting for Message to Display. |

| Menu item | Description |
|---|--|
| <p>Displayed Information</p> <ul style="list-style-type: none"> Waste Toner Bottle Paper Jam Load Paper Service Errors | <p>Lets you customize the displayed information for Waste Toner Bottle, Paper Jam, Load Paper, and Service Errors</p> <p>Select from the following options:</p> <ul style="list-style-type: none"> Display <ul style="list-style-type: none"> No Yes Message to Display <ul style="list-style-type: none"> Default Alternate Default <ul style="list-style-type: none"> [text entry] Alternate <ul style="list-style-type: none"> [text entry] <p>Notes:</p> <ul style="list-style-type: none"> • No is the factory default setting for Display. • Default is the factory default setting for Message to Display. |
| <p>Home screen customization</p> <ul style="list-style-type: none"> Change Language Copy Copy shortcuts Fax Fax Shortcuts E-mail E-mail Shortcuts FTP FTP Shortcuts Search Held Jobs Held Jobs USB Drive Profiles and Solutions Bookmarks Jobs by user Forms and Favorites | <p>Lets you add or remove icons and buttons that appear on the home screen</p> <p>Available options:</p> <ul style="list-style-type: none"> Do not display Display |
| <p>Date Format</p> <ul style="list-style-type: none"> MM-DD-YYYY DD-MM-YYYY YYYY-MM-DD | <p>Specifies the format for the printer date</p> |
| <p>Time Format</p> <ul style="list-style-type: none"> 12 hour A.M./P.M. 24 hour clock | <p>Specifies the format for the printer time</p> |
| <p>Screen Brightness</p> <ul style="list-style-type: none"> 20–100 | <p>Specifies the brightness of the printer control panel screen</p> |

| Menu item | Description |
|---|---|
| One Page Copy Off On | Sets the copies from the scanner glass to only one page at a time Note: Off is the factory default setting. |
| Output Lighting Normal/Standby Mode Off Dim Bright Sleep Mode Off Dim Bright | Sets the amount of light from the standard bin Notes: <ul style="list-style-type: none"> • Dim is the factory default setting for Normal/Standby Mode if Eco-Mode is set to Energy or Energy/Paper. • Bright is the factory default setting for Normal/Standby Mode if Eco-Mode is set to Off or Paper. • Off is the factory default setting for Sleep Mode if Eco-Mode is set to Energy or Energy/Paper. • Dim is the factory default setting for Sleep Mode if Eco-Mode is set to Off or Paper. |
| Error Lighting On Off | Determines if indicator lights blink when the printer encounters errors. Note: On is the factory default setting. |
| Audio Feedback Button Feedback On Off Volume 1–10 | Notes: <ul style="list-style-type: none"> • On is the factory default setting for Button Feedback. • 5 is the factory default setting for Volume. |
| Tactile Touchscreen Feedback On Off | Specifies whether the printer control panel provides touch sensation feedback |
| Show Bookmarks Yes No | Specifies whether bookmarks are displayed from the Held Jobs area Note: Yes is the factory default setting. When Yes is selected, bookmarks appear in the Held Jobs area. |
| Allow Background Removal On Off | Specifies whether image background removal is allowed during copy, fax, e-mail, FTP, or scan-to-USB jobs Note: On is the factory default setting. The background of the image will be removed. |
| Allow Custom Job Scans On Off | Lets you scan multiple documents into one file Note: On is the factory default setting. If On is selected, then the Allow Custom Job Scans setting can be enabled for specific jobs. |
| Scanner Jam Recovery Job level Page level | Specifies how a scan job should be reloaded if a paper jam occurs in the ADF Notes: <ul style="list-style-type: none"> • If Job level is selected, then the entire job must be rescanned if any pages jam. • If Page level is selected, then rescan from the jammed page forward. |

| Menu item | Description |
|---|--|
| Web Page Refresh Rate 30–300 | Specifies the number of seconds between Embedded Web Server refreshes Note: 120 seconds is the factory default setting. |
| Contact Name | Specifies a contact name for the printer Note: The contact name will be stored on the Embedded Web Server. |
| Location | Specifies the location of the printer Note: The location will be stored on the Embedded Web Server. |
| Alarms Alarm Control Cartridge Alarm Staple Alarm Hole Punch Alarm | Sets an alarm to sound when the printer requires user intervention Available options for each alarm type are: Off Single Continuous Notes: <ul style="list-style-type: none"> • Single is the factory default setting for Alarm Control and Cartridge Alarm. Single sounds three quick beeps. • Off is the factory default setting for Staple Alarm and Hole Punch Alarm. Off means no alarm will sound. • Continuous repeats three beeps every 10 seconds. |
| Timeouts Standby Mode Disabled 1–240 | Specifies the number of minutes of inactivity before the system enters a lower power state Note: 15 is the factory default setting. |
| Timeouts Sleep Mode 1–240 min Disabled | Sets the amount of time the printer waits after a job is printed before it goes into a reduced power state Notes: <ul style="list-style-type: none"> • 30 min is the factory default setting. • Disabled appears only when Energy Conserve is set to Off. • Lower settings conserve more energy, but may require longer warm-up times. • Select a high setting if the printer is in constant use. Under most circumstances, this keeps the printer ready to print with minimum warm-up time. |
| Timeouts Screen Timeout 15–300 sec | Sets the amount of time (in seconds) the printer waits before returning to a Ready state Note: 30 sec is the factory default setting. |

| Menu item | Description |
|---|--|
| Timeouts Print Timeout Disabled 1-255 sec | Sets the amount of time (in seconds) the printer waits to receive an end-of-job message before canceling the remainder of the print job Notes: <ul style="list-style-type: none"> • 90 sec is the factory default setting. • When the timer expires, any partially printed page still in the printer is printed, and then the printer checks to see if any new print jobs are waiting. • Print Timeout is available only when using PCL emulation. This setting has no effect on PostScript emulation print jobs. |
| Timeouts Wait Timeout 15–65535 sec Disabled | Sets the amount of time (in seconds) the printer waits for additional data before canceling a print job Notes: <ul style="list-style-type: none"> • 40 sec is the factory default setting. • Wait Timeout is available only when the printer is using PostScript emulation. This setting has no effect on PCL emulation print jobs. |
| Timeouts Job Hold Timeout 5–255 sec | Sets the amount of time (in seconds) the printer waits for user intervention before it holds jobs that require unavailable resources and continues to print other jobs in the print queue Notes: <ul style="list-style-type: none"> • 30 sec is the factory default setting. • This menu appears only when a printer hard disk is installed. |
| Print Recovery Auto Continue Disabled 5–255 | Lets the printer automatically continue printing from certain offline situations when not resolved within the specified time period Note: Disabled is the factory default setting. |
| Print Recovery Jam Recovery Auto On Off | Specifies whether the printer reprints jammed pages Notes: <ul style="list-style-type: none"> • Auto is the factory default setting. The printer reprints jammed pages unless the memory required to hold the pages is needed for other printer tasks. • On sets the printer to always reprint jammed pages. • Off sets the printer to never reprint jammed pages. |
| Print Recovery Page Protect Off On | Lets the printer successfully print a page that may not have printed otherwise Notes: <ul style="list-style-type: none"> • Off is the factory default setting. Off prints a partial page when there is not enough memory to print the whole page. • On sets the printer to process the whole page so that the entire page prints. |

| Menu item | Description |
|--|--|
| <p>Press Sleep Button</p> <ul style="list-style-type: none"> Sleep Hibernate Do nothing | <p>Determines how the printer, while in Idle state, reacts to a short press of the Sleep button</p> <p>Notes:</p> <ul style="list-style-type: none"> • Sleep is the factory default setting. • Sleep or Hibernate sets the printer to operate at a lower power configuration. • If the printer is in Sleep Mode, then the touch screen appears off and the Sleep button turns amber in color. • Touch anywhere on the touch screen or press a button on the printer control panel to exit Sleep Mode. • If the printer is in Hibernate mode, then the touch screen is completely off and the Sleep button turns amber in color and is blinking. • |
| <p>Press and Hold Sleep Button</p> <ul style="list-style-type: none"> Do nothing Sleep Hibernate | <p>Determines how the printer, while in Idle state, reacts to a long press of the Sleep button</p> <p>Notes:</p> <ul style="list-style-type: none"> • Do Nothing is the factory default setting. • Sleep or Hibernate sets the printer to operate at a lower power configuration. • If the printer is in Sleep Mode, then the touch screen appears off and the Sleep button turns amber in color. • Press and hold the Sleep button for 3 seconds or longer to enter Hibernate mode. • Touch anywhere on the touch screen or press a button on the printer control panel to exit Sleep Mode. |
| <p>Factory Defaults</p> <ul style="list-style-type: none"> Do Not Restore Restore Now | <p>Returns the printer settings to the factory default settings</p> <p>Notes:</p> <ul style="list-style-type: none"> • Do Not Restore is the factory default setting. Do Not Restore keeps the user-defined settings. • Restore Now returns all printer settings to the factory default settings except Network/Ports menu settings. All downloads stored in RAM are deleted. Downloads stored in flash memory or on a printer hard disk are not affected. |

Copy Settings menu

| Menu item | Description |
|--|---|
| Content Type Text/Photo Text Graphics Photo | Specifies the type of content contained in the copy job Notes: <ul style="list-style-type: none"> • Text/Photo is the factory default setting. Text/Photo is used when the original document is a mixture of text, graphics, and photos. • Text is used when the content of the original document is mostly text or line art. • Graphics is used when the original document is mostly business-type graphics such as pie charts, bar charts, and animations. • Photo is used when the document being scanned is mostly a photo or an image. |
| Content Source Color Laser Inkjet Magazine Press Black/White Laser Photo/Film Newspaper Other | Specifies the source of content in the copy job Notes: <ul style="list-style-type: none"> • Color Laser is the factory default setting. Color Laser is used when the original document was printed using a color laser printer. • Black/White Laser is used when the original document was printed using a black/white laser printer. • Inkjet is used when the original document was printed using a inkjet printer. • Photo/Film is used when the original document is a photo from film • Magazine is used when the original document is from a magazine. • Newspaper is used when the original document is from a newspaper. • Press is used when the original document was printed using a printing press. • Other is used when the original document was printed using an alternate or unknown printer. |
| Color On Off | Specifies whether or not copies are printed in color Note: On is the factory default setting. |
| Allow color copies On Off | Lets you enable or disable color in copying Notes: <ul style="list-style-type: none"> • On is the factory default setting. • Setting this to Off will hide all color-specific menus. • This setting overrides the Color setting. |

| Menu item | Description |
|---|--|
| Sides (Duplex) 1 sided to 1 sided 1 sided to 2 sided 2 sided to 1 sided 2 sided to 2 sided | Specifies whether an original document is duplex (two-sided) or simplex (one-sided), and then specifies whether the copy should be duplex or simplex Notes: <ul style="list-style-type: none"> • 1 sided to 1 sided—The original page has printing on one side and the copied page will also have printing on one side. • 1 sided to 2 sided—The original page has printing on one side while the copied page will have printing on both sides. For example, if the original document is six sheets, the copy is three sheets with printing on both sides. • 2 sided to 1 sided—The original page has printing on both sides while the copied page will have printing on only one side. For example, if the original document is three sheets with an image on each side of each sheet, then the copy is six sheets with only one image on one side of each sheet. • 2 sided to 2 sided—The original page has printing on both sides and the copy mimics the original exactly. |
| Paper Saver Off 2 on 1 Portrait 2 on 1 Landscape 4 on 1 Portrait 4 on 1 Landscape | Allows copying two or four sheets of a document on one page Note: Off is the factory default setting. |
| Print Page Borders Off On | Specifies whether or not a border is printed around the edge of the page Note: Off is the factory default setting. |
| Collate On [1,2,1,2,1,2] Off [1,1,1,2,2,2] | Keeps the pages of a print job stacked in sequence when printing multiple copies Note: On is the factory default setting. |
| Punch Off 2 holes 3 holes 4 holes | Determines the type of hole punch finishing to be used in a print or copy job Note: Off is the factory default setting. |
| Staple Off On | Lets you enable or disable the staple finisher Notes: <ul style="list-style-type: none"> • Off is the factory default setting. • This menu only appears when a staple finisher is installed. |

| Menu item | Description |
|---|--|
| Original Size Letter Legal Executive Folio Statement Universal 4 x 6 in. 3 x 5 in. Business Card ID Card Custom Scan Size [x] A4 A5 Oficio (Mexico) JIS B4 JIS B5 Book Original Auto Size Sense Mixed Sizes | Specifies the paper size of the original document Notes: <ul style="list-style-type: none"> • Letter is the US factory default setting. • A4 is the international factory default setting. |
| Copy To Source Tray [x] Auto Size Match Manual Feeder | Specifies the paper source for copy jobs Note: Tray 1 is the factory default setting. |
| Transparency Separators On Off | Places a sheet of paper between transparencies Note: On is the factory default setting. |
| Separator Sheets None Between Copies Between Jobs Between Pages | Places a sheet of paper between pages, copies, or jobs Note: None is the factory default setting. |
| Separator Sheet Source Tray [x] Manual Feeder | Specifies the separator sheet source Note: Tray 1 is the factory default setting. |
| Darkness 1–9 | Specifies the level of darkness for the copy job Note: 5 is the factory default setting. |
| Output Bin Standard Bin Bin [x] | Specifies the exit bin to be used for the copy job Notes: <ul style="list-style-type: none"> • Standard Bin is the factory default setting. • Bin [x] only appears when at least one optional exit bin is installed. |

| Menu item | Description |
|---|--|
| Number of Copies 1–999 | Specifies the number of copies for the copy job Note: 1 is the factory default setting. |
| Header/Footer Top left Top left Off Date/Time Page number Custom text Print on All pages First page only All but first page Custom text | Specifies header/footer information for the top left of the page Notes: <ul style="list-style-type: none"> • Off is the factory default setting for Top left. • All pages is the factory default setting for Print on. |
| Header/Footer Top middle Top middle Off Date/Time Page number Bates number Custom text Print on All pages First page only All but first page Custom text | Specifies header/footer information for the middle of the page Notes: <ul style="list-style-type: none"> • Off is the factory default setting for Top middle. • All pages is the factory default setting for Print on. |
| Header/Footer Top right Top right Off Date/Time Page number Bates number Custom text Print on All pages First page only All but first page Custom text | Specifies header/footer information for the top right of the page Notes: <ul style="list-style-type: none"> • Off is the factory default setting for Top right. • All pages is the factory default setting for Print on. |

| Menu item | Description |
|---|--|
| Header/Footer Bottom left Bottom left Off Date/Time Page number Bates number Custom text Print on All pages First page only All but first page Custom text | Specifies header/footer information for the bottom left of the page Notes: <ul style="list-style-type: none"> • Off is the factory default setting for Bottom left. • All pages is the factory default setting for Print on. |
| Header/Footer Bottom middle Bottom middle Off Date/Time Page number Bates number Custom text Print on All pages First page only All but first page Custom text | Specifies header/footer information for the bottom middle of the page Notes: <ul style="list-style-type: none"> • Off is the factory default setting for Bottom middle. • All pages is the factory default setting for Print on. |
| Header/Footer Bottom right Bottom right Off Date/Time Page number Bates number Custom text Print on All pages First page only All but first page Custom text | Specifies header/footer information for the bottom right of the page Notes: <ul style="list-style-type: none"> • Off is the factory default setting for Bottom right. • All pages is the factory default setting for Print on. |

| Menu item | Description |
|--|---|
| Overlay Off Confidential Copy Draft Urgent Custom | Specifies the overlay text printed on each page of the copy job Note: Off is the factory default setting. |
| Custom Overlay | Specifies the custom overlay text Note: A maximum of 64 characters is allowed. |
| Allow priority copies On Off | Allows interruption of a print job to copy a page or document Note: On is the factory default setting. |
| Custom Job scanning Off On | Lets you copy, in a single copy job, a document that contains mixed paper sizes Notes: <ul style="list-style-type: none"> • Off is the factory default setting. • This menu item appears only if a valid printer hard drive is installed. |
| Allow Save as Shortcut On Off | Lets you save custom copy settings as shortcuts Note: On is the factory default setting. |
| Background Removal -4 to 4 | Adjusts the amount of background visible on a copy Note: 0 is the factory default setting. |
| Auto Center Off On | Lets you automatically center the content on the page Note: Off is the factory default setting. |
| Color Balance Cyan - Red Magenta - Green Yellow - Blue | Enables an equal balance of colors in the output |
| Color Dropout Color Dropout None Red Green Blue Default Red Threshold 0–255 Default Green Threshold 0–255 Default Blue Threshold 0–255 | Specifies which color to drop during copies, and how much to increase or decrease the dropout Notes: <ul style="list-style-type: none"> • None is the factory default setting for Color Dropout. • 128 is the factory default setting for each color threshold. |

| Menu item | Description |
|--|--|
| Contrast Best for content 0–5 | Specifies the contrast used for the copy job Note: Best for content is the factory default setting. |
| Mirror Image Off On | Creates a mirror image of the original document Note: Off is the factory default setting. |
| Negative Image Off On | Creates a negative image of the original document Note: Off is the factory default setting. |
| Shadow Detail -4 to 4 | Adjusts the amount of shadow detail visible on a copy Note: 0 is the factory default setting. |
| ADF Skew Fix Off On | Lets you fix slight skew on the scanned image Note: Off is the factory default setting |
| Scan edge to edge Off On | Specifies if the original document is scanned edge-to-edge Note: Off is the factory default setting. |
| Sharpness 1–5 | Adjusts the amount of sharpness of a copy Note: 3 is the factory default setting. |
| Temperature -4 to 4 | Enables the user to specify “warm” or “cool” outputs. “Cool” values generate a bluer output than the default, while “warm” values generate a redder output than the default. |
| Sample Copy Off On | Creates a sample copy of the original document Note: Off is the factory default setting. |

Fax Settings menu

Fax Mode (Analog Fax Setup) menu

Analog Fax Setup mode sends the fax job by way of a telephone line.

General Fax Settings

| Menu item | Description |
|---|--|
| Fax Name or Station Name | Specifies the name of the fax in the printer |
| Fax Number or Station Number | Specifies a number associated with the fax |
| Station ID Fax Name or Station Name Fax Number or Station Number | Specifies how the fax is identified |

| Menu item | Description |
|--|--|
| Enable Manual Fax Off On | Sets the printer to fax manually only, which requires a line splitter and a telephone handset Notes: <ul style="list-style-type: none"> • Use a regular telephone to answer an incoming fax job and to dial a fax number. • Touch # 0 on the numeric keypad to go directly to the Manual Fax function. |
| Memory Use Equal Mostly sent All send All receive Mostly receive | Defines the allocation of non-volatile memory between sending and receiving fax jobs Notes: <ul style="list-style-type: none"> • Equal is the factory default setting. Equal splits the memory for sending and receiving fax jobs into equal amounts. • Mostly sent specifies that most of the memory is set to send fax jobs. • All send specifies that all the memory is set to send fax jobs. • All receive specifies that all the memory is set to receive fax jobs. • Mostly receive specifies that most of the memory is set to receive fax jobs. |
| Cancel Faxes Allow Don't Allow | Specifies whether or not the printer cancels fax jobs |
| Caller ID On Off Alternate | Specifies type of caller ID being used |
| Fax number masking Off From left From right | Specifies the direction from where digits are masked in an outgoing fax number Note: The number of characters masked is determined by the "Digits to mask" setting. |
| Digits to mask 0-58 | Specifies the number of digits to mask in an outgoing fax number |

| Menu item | Description |
|---|---|
| Fax Cover Page Fax Cover Page Off by default On by default Never use Always use Include to field On Off Include from field Off On From Include Message field Off On Message Include Logo Off On Include Footer [x] Footer [x] | Configures the fax cover page Note: "Off by default" is the factory default setting for all Fax Cover Page options. |

Fax Send Settings

| Menu item | Description |
|---|---|
| Resolution Standard Fine 200 dpi Super Fine 300 dpi Ultra Fine 600 dpi | Specifies quality in dots per inch (dpi). A higher resolution gives greater print quality, but increases the fax transmission time for outgoing faxes. Note: Standard is the factory default setting. |

| Menu item | Description |
|--|--|
| <p>Original Size</p> <ul style="list-style-type: none"> Mixed Sizes Letter Legal Executive Folio Statement Universal 4 x 6 in. 3 x 5 in. Business Card Custom Scan Size [x] A4 A5 Oficio (Mexico) A6 JIS B4 JIS B5 Book Original Auto Size Sense | <p>Specifies the paper size of the document that is being scanned</p> <p>Note: Mixed Sizes is the US factory default setting. A4 is the international factory default setting.</p> |
| <p>Sides (Duplex)</p> <ul style="list-style-type: none"> Off Long edge Short edge | <p>Specifies how text and graphics are oriented on a page</p> <p>Notes:</p> <ul style="list-style-type: none"> • Off is the factory default setting. • Long edge assumes binding along the long edge of the page (left edge for portrait and top edge for landscape). • Short edge assumes binding along the short edge of the page (top edge for portrait and left edge for landscape). |
| <p>Content Type</p> <ul style="list-style-type: none"> Text Text/Photo Graphics Photo | <p>Specifies the type of content that will be scanned for faxing</p> <p>Notes:</p> <ul style="list-style-type: none"> • Text is the factory default setting. Text is used when the content of the original document is mostly text or line art. • Text/Photo is used when the original document is a mixture of text, graphics, and photos. • Graphics is used when the original document is mostly business-type graphics such as pie charts, bar charts, and animations. • Photo is used when the document being scanned is mostly a photo or an image. |

| Menu item | Description |
|--|---|
| Content Source Color Laser Inkjet Magazine Press Black/White Laser Photo/Film Newspaper Other | Specifies how the output is produced Notes: <ul style="list-style-type: none"> • Color Laser is the factory default setting. Color Laser is used when the original document was printed using a color laser printer. • Black/White is used when the original document was printed using a black/white laser printer. • Inkjet is used when the original document was printed using an inkjet printer. • Photo/Film is used when the original document is a photo from film • Magazine is used when the original document is from a magazine. • Newspaper is used when the original document is from a newspaper. • Press is used when the original document was printed using a printing press. • Other is used when the original document was printed using an alternate or unknown printer. |
| Darkness 1–9 | Lightens or darkens the output Note: 5 is the factory default setting. |
| Dial Prefix | Lets you enter a dialing prefix, such as 99. A numeric entry field is provided. |
| Dialing Prefix Rules Prefix Rule [x] | Establishes a dialing prefix rule |
| Automatic Redial 0–9 | Specifies the number of times the printer tries to send the fax to a specified number Note: 5 is the factory default setting. |
| Redial Frequency 1–200 | Specifies the number of minutes between redials |
| Behind a PABX No Yes | Enables switchboard blind dialing without a dial tone |
| Enable ECM Yes No | Enables Error Correction Mode for fax jobs |
| Enable Fax Scans On Off | Lets you fax files that are scanned at the computer |
| Driver to fax Yes No | Allows the driver to fax jobs to be sent by the printer |
| Allow Save as Shortcut On Off | Lets you save fax numbers as shortcuts in the printer |
| Dial Mode Tone Pulse | Specifies the dialing sound, either as a tone or a pulse |

| Menu item | Description |
|--|---|
| Max Speed 2400 4800 9600 14400 33600 | Specifies the maximum speed in baud at which faxes are sent |
| Custom Job scanning Off On | Lets you scan a document that contains mixed paper sizes into a single file |
| Scan Preview Off On | Specifies whether a preview will appear on the display for scan jobs |
| Background Removal -4 to 4 | Adjusts the amount of background visible on a copy Note: 0 is the factory default setting. |
| Color Balance Cyan - Red Magenta - Green Yellow - Blue | Enables an equal balance of colors in the output |
| Color Dropout Color Dropout None Red Green Blue Default Red Threshold 0–255 Default Green Threshold 0–255 Default Blue Threshold 0–255 | Specifies which color to drop during faxing, and how much to increase or decrease the dropout Notes: <ul style="list-style-type: none"> • None is the factory default setting for Color Dropout. • 128 is the factory default setting for each color threshold. |
| Contrast Best for content 0–5 | Specifies the contrast of the output Note: “Best for content” is the factory default setting. |
| Mirror Image Off On | Creates a mirror image of the original document Note: Off is the factory default setting. |
| Negative Image Off On | Creates a negative image of the original document Note: Off is the factory default setting. |
| Shadow Detail -4 to 4 | Adjusts the amount of shadow detail visible on a fax Note: 0 is the factory default setting. |

| Menu item | Description |
|---|---|
| ADF Skew Fix Off On | Specifies whether or not to fix slight skew on the scanned image Note: Off is the factory default setting |
| Scan edge to edge Off On | Specifies if the original document is scanned edge-to-edge prior to faxing Note: Off is the factory default setting. |
| Sharpness 0–5 | Adjusts the sharpness of a fax Note: 3 is the factory default setting. |
| Temperature -4 to 4 | Enables the user to specify “warm” or “cool” outputs. “Cool” values generate a bluer output than the default while “warm” values generate a redder output than the default. |
| Enable Color Fax Scans Off by default On by default Never use Always use | Enables color faxing Note: “Off by default” is the factory default setting. |
| Auto Convert Color Faxes to Mono Faxes On Off | Converts all outgoing faxes to black and white Note: On is the factory default setting. |

Fax Receive Settings

| Menu item | Description |
|---|---|
| Enable Fax Receive On Off | Allows fax jobs to be received by the printer Note: On is the factory default setting. |
| Rings to Answer 1–25 | Specifies the number of rings before answering an incoming fax job Note: 1 is the factory default setting. |
| Auto Reduction On Off | Scales an incoming fax job so that it fits the size of the paper loaded in the designated fax source Note: On is the factory default setting. |
| Paper Source Auto Tray [x] Multi-Purpose Feeder | Specifies the paper source selected to supply paper for the printer to print an incoming fax |
| Output Bin Standard Bin Bin 1[x] | Specifies an output bin for received faxes Note: Bin 1 is available only when the finisher is installed. |
| Sides (Duplex) Off On | Enables duplex printing (two-sided printing) for incoming fax jobs |

| Menu item | Description |
|--|--|
| Separator Sheets None Before Job After Job | Enables the printer to include separator sheets in the output |
| Separator Sheet Source Tray [x] Manual Feeder | Specifies where the printer will pick the separator sheet |
| Fax Footer Off On | Prints the transmission information at the bottom of each page from a received fax Note: Off is the factory default setting. |
| Max Speed 33600 2400 4800 9600 14400 | Specifies the maximum speed in baud at which faxes are received |
| Fax Forwarding Print Print and Forward Forward | Enables forwarding of received faxes to another recipient |
| Forward to Fax E-mail FTP LDSS eSF | Specifies the type of recipient to which faxes will be forwarded Note: This item is available only from the printer Embedded Web Server. |
| Forward to Shortcut | Lets you enter the shortcut number which matches the recipient type (Fax, E-mail, FTP, LDSS, or eSF) |
| Block No Name Fax Off On | Enables blocking of incoming faxes sent from devices with no station ID specified |
| Banned Fax List | Enables the list of banned fax numbers stored in the printer |
| Holding Faxes Held Fax Mode Off Always On Manual Scheduled Fax Holding Schedule | Enables fax holding all of the time or according to a set schedule Note: Off is the factory default setting. |
| Enable Color Fax Receive On Off | Enables the device to receive fax in color |

Fax Log Settings

| Menu item | Description |
|--|---|
| Transmission Log Print log Do not print log Print only for error | Enables printing of a transmission log after each fax job |
| Receive Error Log Print Never Print on Error | Enables printing of a receive error log following a receive error |
| Auto Print Logs On Off | Enables automatic printing of fax logs Note: Logs print after every 200 jobs. |
| Log Paper Source Tray [x] Manual Feeder | Selects the source of the paper used for printing logs |
| Logs Display Remote Fax Name or Remote Station Name Dialed Number | Specifies whether printed logs display the dialed number or the station name returned |
| Enable Job Log On Off | Enables access to the Fax Job log |
| Enable Call Log On Off | Enables access to the Fax Call log |
| Log Output Bin Standard Bin Bin [x] | Specifies the output bin where fax logs are printed |

Speaker Settings

| Menu item | Description |
|--|--|
| Speaker Mode On until Connected Always On Always Off | Specifies the mode of the speaker. Notes: <ul style="list-style-type: none"> • “On until Connected” is the factory default setting. A sound is issued until the fax connection is made. • Always On turns the speaker on. • Always Off turns the speaker off. |
| Speaker Volume High Low | Controls the volume setting Note: High is the factory default setting. |

| Menu item | Description |
|-----------------------------------|---|
| Ringer Volume On Off | Controls the fax speaker ringer volume Note: On is the factory default setting. |

Answer On

| Menu item | Description |
|--|--|
| All Rings Single Ring Only Double Ring Only Triple Ring Only Single or Double Rings Only Single or Triple Rings Only Double or Triple Rings Only | Specifies ring patterns when device is answering calls Note: All Rings is the factory default setting. |

Fax Mode (Fax Server Setup) menu

Fax Server mode sends the fax job to a fax server for transmission.

Fax Server Setup

| Menu item | Description |
|--|---|
| To Format | Lets you enter the information using the virtual keyboard on the printer touch screen |
| Reply Address | |
| Subject | |
| Message | |
| SMTP Setup | Specifies SMTP setup information |
| Primary SMTP Gateway | Specifies SMTP server port information |
| Secondary SMTP Gateway | |
| Image Format PDF (.pdf) XPS (.xps) TIFF (.tif) | Specifies the image type for scan to fax |

| Menu item | Description |
|---|---|
| Content Type Text Text/Photo Graphics Photo | Specifies the type of content that will be scanned to fax Notes: <ul style="list-style-type: none"> • Text is the factory default setting. Text is used when the content of the original document is mostly text or line art. • Text/Photo is used when the original document is a mixture of text, graphics, and photos. • Graphics is used when the original document is mostly business-type graphics such as pie charts, bar charts, and animations. • Photo is used when the document being scanned is mostly a photo or an image. |
| Content Source Color Laser Inkjet Photo/Film Magazine Newspaper Press Other | Specifies how content will be produced Notes: <ul style="list-style-type: none"> • Color Laser is the factory default setting. Color Laser is used when the original document was printed using a color laser printer. • Black/White is used when the original document was printed using a black/white laser printer. • Inkjet is used when the original document was printed using an inkjet printer. • Photo/Film is used when the original document is a photo from film • Magazine is used when the original document is from a magazine. • Newspaper is used when the original document is from a newspaper. • Press is used when the original document was printed using a printing press. • Other is used when the original document was printed using an alternate or unknown printer. |
| Fax Resolution Standard Fine 200 dpi Super Fine 300 dpi Ultra Fine 600 dpi | Specifies the resolution level for scan to fax |
| Darkness 1–9 | Lightens or darkens the output Note: 5 factory default setting. |
| Orientation Portrait Landscape | Specifies the orientation of the scanned image |

| Menu item | Description |
|--|---|
| Original Size Letter Legal Executive Folio Statement Universal 4 x 6 in. 3 x 5 in. Business Card Custom Scan Size [x] A4 A5 Oficio (Mexico) JIS B4 JIS B5 Book Original Auto Size Sense Mixed Sizes | Specifies the paper size of the document that is being scanned Note: Letter is the US factory default setting. A4 is the international factory default setting. |
| Use Multi-Page TIFF On Off | Provides a choice between single-page TIFF files and multiple-page TIFF files. For a multiple-page scan to fax job, either one TIFF file is created containing all the pages, or multiple TIFF files are created with one file for each page of the job. Notes: <ul style="list-style-type: none"> • On is the factory default setting. • This menu item applies to all scan functions. |
| Enable Analog Receive Off On | Enables analog fax receive Note: Off is the factory default setting. |

E-mail Settings menu

| Menu item | Description |
|---|---|
| E-mail Server Setup Subject Message Base file name | Specifies e-mail server information Notes: <ul style="list-style-type: none"> • The subject box has a limitation of 255 characters. • The message box has a limitation of 512 characters. |
| E-mail Server Setup Send me a copy Never appears On by default Off by default Always On | Sends a copy of the e-mail back to the sender Note: "Never appears" is the factory default setting. |

| Menu item | Description |
|---|--|
| E-mail Server Setup Max E-mail size 0–65535 KB | Specifies the maximum e-mail size in kilobytes Note: E-mails above the specified size are not sent. |
| E-mail Server Setup Size error message | Sends a message when an e-mail is greater than the configured size limit |
| E-mail Server Setup Limit destinations | Specifies a domain name, such as a company domain name, and then limits e-mail destinations to that domain name only Notes: <ul style="list-style-type: none"> • E-mail can be sent only to the specified domain. • The limit is one domain. |
| E-mail Server Setup Web Link Setup Server Login Password Path Base file name Web Link | Defines the e-mail server path name; for example: <code>/directory/path</code> Note: The characters * : ? < > are invalid entries for a path name. |
| Format PDF (.pdf) Secure PDF TIFF (.tif) JPEG (.jpg) XPS (.xps) | Specifies the format of the scanned file Note: PDF (.pdf) is the factory default setting. |
| PDF Version 1.5 1.6 A-1a 1.2 1.3 1.4 | Sets the version of the PDF file that will be scanned for e-mailing Note: 1.5 is the factory default setting. |
| Content Type Text/Photo Photo Text Graphics | Specifies the type of content that will be scanned for e-mailing Notes: <ul style="list-style-type: none"> • Text/Photo is the factory default setting. Text/Photo is used when the original document is a mixture of text, graphics, and photos. • Text is used when the content of the original document is mostly text or line art. • Graphics is used when the original document is mostly business-type graphics such as pie charts, bar charts, and animations. • Photo is used when the document being scanned is mostly a photo or an image. |

| Menu item | Description |
|--|--|
| Content Source Color Laser Inkjet Magazine Press Black/White Laser Photo/Film Newspaper Other | Specifies the source of the document being scanned Notes: <ul style="list-style-type: none"> • Color Laser is the factory default setting. Color Laser is used when the original document was printed using a color laser printer. • Black/White is used when the original document was printed using a black/white laser printer. • Inkjet is used when the original document was printed using a inkjet printer. • Photo/Film is used when the original document is a photo from film • Magazine is used when the original document is from a magazine. • Newspaper is used when the original document is from a newspaper. • Press is used when the original document was printed using a printing press. • Other is used when the original document was printed using an alternate or unknown printer. |
| Color Color Gray | Specifies whether or not a job prints in grayscale or color Note: Color is the factory default setting. |
| Resolution 150 200 300 400 600 75 | Specifies the resolution of the scan in dots per inch Note: 150 is the factory default setting. |
| Darkness 1–9 | Lightens or darkens the output Note: 5 is the factory default setting. |
| Orientation Portrait Landscape | Specifies the orientation of the scanned image Note: Portrait is the factory default setting. |

| Menu item | Description |
|--|---|
| Original Size Letter Legal Executive Folio Statement Universal 4 x 6 in. 3 x 5 in. Business Card Custom Scan Size [x] A4 A5 Oficio (Mexico) A6 JIS B4 JIS B5 Book Original Auto Size Sense Mixed Sizes | Specifies the paper size of the document being scanned Notes: <ul style="list-style-type: none"> • A4 is the international factory default setting. • Letter is the US factory default setting. |
| Sides (Duplex) Off Long edge Short edge | Specifies how the text and graphics are oriented on the page Notes: <ul style="list-style-type: none"> • Off is the factory default setting. • Long edge assumes binding along the long edge of the page (left edge for portrait and top edge for landscape). • Short edge assumes binding along the short edge of the page (top edge for portrait and left edge for landscape). |
| JPEG Quality Best for Content 5–90 | Sets the quality of a JPEG photo image in relation to file size and quality of the image Notes: <ul style="list-style-type: none"> • “Best for content” is the factory default setting. • 5 reduces the file size and quality of the image. • 90 provides the best image quality, but the file size is very large. • This menu item applies to all scan functions. |
| Text Default 5–90 | Sets the quality of a text image in relation to file size and quality of the image Note: 75 is the factory default setting. |
| Text/Photo Default 5–90 | Sets the quality of a text or photo image in relation to file size and the quality of the image Note: 75 is the factory default setting. |
| Photo Default 5–90 | Sets the quality of a photo image in relation to file size and the quality of the image Note: 50 is the factory default setting. |

| Menu item | Description |
|--|--|
| E-mail images sent as Attachment Web Link | Specifies how the images will be sent Note: Attachment is the factory default setting. |
| Use Multi-Page TIFF On Off | Provides a choice between single-page TIFF files and multiple-page TIFF files. For a multiple-page scan-to-e-mail job, either one TIFF file is created containing all the pages, or multiple TIFF files are created with one file for each page of the job. Notes: <ul style="list-style-type: none"> • On is the factory default setting. • This menu item applies to all scan functions. |
| Transmission Log Print log Do not print log Print only for error | Specifies whether or not the transmission log prints Note: Print log is the factory default setting. |
| Log Paper Source Tray [x] Manual Feeder | Specifies the paper source for printing e-mail logs Note: Tray 1 is the factory default setting. |
| Log Output Bin Standard Bin Bin [x] | Specifies an exit bin for e-mail logs Notes: <ul style="list-style-type: none"> • Standard Bin is the factory default setting. • Bin [x] only appears when at least one optional exit bin is installed. |
| E-mail Bit Depth 8 bit 1 bit | Enables the Text/Photo mode to produce smaller file sizes by using 1-bit images when Color is set to Off Note: 8 bit is the factory default setting. |
| Custom Job scanning Off On | Lets you copy, in a single copy job, a document that contains mixed paper sizes Note: Off is the factory default setting. |
| Scan Preview Off On | Specifies whether or not a preview will appear on the display for scan jobs Note: Off is the factory default setting. |
| Allow Save as Shortcut On Off | Lets you save e-mail addresses as shortcuts Notes: <ul style="list-style-type: none"> • On is the factory default setting. • When set to Off, the Save as Shortcut button does not appear on the e-mail Destination screen. |
| Background Removal -4 to 4 | Adjusts the amount of background visible on a scanned image Note: 0 is the factory default setting. |
| Color Balance Cyan - Red Magenta - Green Yellow - Blue | Enables an equal balance of colors in the output |

| Menu item | Description |
|--|---|
| Color Dropout Color Dropout None Red Green Blue Default Red Threshold 0–255 Default Green Threshold 0–255 Default Blue Threshold 0–255 | Specifies which color to drop during scanning, and how much to increase or decrease the dropout Notes: <ul style="list-style-type: none"> • None is the factory default setting for Color Dropout. • 128 is the factory default setting for each color threshold. |
| Contrast Best for content 0–5 | Specifies the contrast of the output Note: “Best for content” is the factory default setting. |
| Mirror Image Off On | Creates a mirror image of the original document Note: Off is the factory default setting. |
| Negative Image Off On | Creates a negative image of the original document Note: Off is the factory default setting. |
| Shadow Detail -4 to 4 | Adjusts the amount of shadow detail visible on a scanned image Note: 0 is the factory default setting. |
| ADF Skew Fix Off On | Corrects slight skew in the scanned image Note: Off is the factory default setting |
| Scan edge to edge Off On | Specifies whether the original document is scanned edge-to-edge Note: Off is the factory default setting. |
| Sharpness 1–5 | Adjusts the amount of sharpness on a scanned image Note: 3 is the factory default setting. |
| Temperature -4 to 4 | Enables the user to specify “warm” or “cool” outputs. “Cool” values generate a bluer output than the default while “warm” values generate a redder output than the default. |
| Use cc:/bcc: Off On | Enables the use of the cc: and bcc: fields Note: Off is the factory default setting. |

FTP Settings menu

| Menu item | Description |
|--|--|
| Format PDF (.pdf) Secure PDF (.pdf) TIFF (.tif) JPEG (.jpg) XPS (.xps) | Specifies the format of the FTP file Note: PDF (.pdf) is the factory default setting. |
| PDF Version 1.5 1.6 A-1a 1.2 1.3 1.4 | Sets the version level of the PDF file for FTP Note: 1.5 is the factory default setting. |
| Content Type Text Graphics Text/Photo Photo | Specifies the type of content that will be scanned to FTP Notes: <ul style="list-style-type: none"> • Text/Photo is the factory default setting. Text/Photo is used when the original document is a mixture of text, graphics, and photos. • Text is used when the content of the original document is mostly text or line art. • Graphics is used when the original document is mostly business-type graphics such as pie charts, bar charts, and animations. • Photo is used when the document being scanned is mostly a photo or an image. |
| Content Source Color Laser Inkjet Magazine Press Black/White Laser Photo/Film Newspaper Other | Specifies how content will be produced Notes: <ul style="list-style-type: none"> • Color Laser is the factory default setting. Color Laser is used when the original document was printed using a color laser printer. • Black/White is used when the original document was printed using a black/white laser printer. • Inkjet is used when the original document was printed using a inkjet printer. • Photo/Film is used when the original document is a photo from film • Magazine is used when the original document is from a magazine. • Newspaper is used when the original document is from a newspaper. • Press is used when the original document was printed using a printing press. • Other is used when the original document was printed using an alternate or unknown printer. |
| Color Color Gray | Specifies whether a job prints in grayscale or color Note: Color is the factory default setting. |

| Menu item | Description |
|--|---|
| Resolution 150 200 300 400 600 75 | Specifies how many dots per inch are scanned Note: 150 dpi is the factory default setting. |
| Darkness 1–9 | Lightens or darkens the output Note: 5 is the factory default setting. |
| Orientation Portrait Landscape | Specifies the orientation of the scanned image Note: Portrait is the factory default setting. |
| Original Size Letter Legal Executive Folio Statement Universal 4 x 6 in. 3 x 5 in. Business Card Custom Scan Size [x] A4 A5 Oficio (Mexico) A6 JIS B4 JIS B5 Book Original Auto Size Sense Mixed Sizes | Specifies the paper size of the document that is being scanned Notes: <ul style="list-style-type: none"> • A4 is the international factory default setting. • Letter is the US factory default setting. |
| Sides (Duplex) Off Long edge Short edge | Specifies how the text and graphics are oriented on the page Notes: <ul style="list-style-type: none"> • Off is the factory default setting. • Long edge assumes binding along the long edge of the page (left edge for portrait and top edge for landscape). • Short edge assumes binding along the short edge of the page (top edge for portrait and left edge for landscape). |

| Menu item | Description |
|--|---|
| JPEG Quality Best for Content 5–90 | Sets the quality of a JPEG photo image in relation to file size and the quality of the image Notes: <ul style="list-style-type: none"> • “Best for content” is the factory default setting. • 5 reduces the file size, but the quality of the image is lessened. • 90 provides the best image quality, but the file size is very large. • This menu item applies to all scan functions. |
| Text Default 5–90 | Sets the quality of the text in relation to file size and the quality of the image Note: 75 is the factory default setting. |
| Text/Photo Default 5–90 | Sets the quality of a text/photo image in relation to file size and the quality of the image Note: 75 is the factory default setting. |
| Photo Default 5–90 | Sets the quality of a photo image in relation to file size and the quality of the image Note: 50 is the factory default setting. |
| Use Multi-Page TIFF On Off | Provides a choice between single-page TIFF files and multiple-page TIFF files. For a multiple-page scan to FTP job, either one TIFF file is created containing all the pages, or multiple TIFF files are created with one file for each page of the job. Notes: <ul style="list-style-type: none"> • On is the factory default setting. • This menu item applies to all scan functions. |
| Transmission Log Print log Do not print log Print only for error | Specifies whether the transmission log prints Note: “Print log” is the factory default setting. |
| Log Paper Source Tray [x] Manual Feeder | Specifies a paper source for FTP logs Note: Tray 1 is the factory default setting. |
| Log Output Bin Standard Bin Bin [x] | Specifies an exit bin for FTP logs Notes: <ul style="list-style-type: none"> • Standard Bin is the factory default setting. • Bin [x] only appears when at least one optional exit bin is installed. |
| FTP bit Depth 8 bit 1 bit | Enables the Text/Photo mode to have smaller file sizes by using 1-bit images when Color is set to Off Note: 8 bit is the factory default setting. |
| Base File Name | Lets you enter a base file name Note: There is an image limitation of 53 characters. |
| Custom Job Scanning Off On | Lets you copy a document that contains mixed paper sizes into a single job Note: Off is the factory default setting. |

| Menu item | Description |
|--|---|
| Scan Preview Off On | Specifies whether a preview will appear on the display for scan jobs Note: Off is the factory default setting. |
| Allow Save as Shortcut On Off | Enables shortcut creation for FTP addresses Note: On is the factory default setting. |
| Background Removal -4 to 4 | Adjusts the amount of background visible on a copy Note: 0 is the factory default setting. |
| Color Balance Cyan - Red Magenta - Green Yellow - Blue | Enables an equal balance of colors in the output |
| Color Dropout Color Dropout None Red Green Blue Default Red Threshold 0–255 Default Green Threshold 0–255 Default Blue Threshold 0–255 | Specifies which color to drop during scanning, and how much to increase or decrease the dropout Notes: <ul style="list-style-type: none"> • None is the factory default setting for Color Dropout. • 128 is the factory default setting for each color threshold. |
| Contrast 0–5 Best for content | Specifies the contrast of the output Note: “Best for content” is the factory default setting. |
| Mirror Image Off On | Creates a mirror image of the original document Note: Off is the factory default setting. |
| Negative Image Off On | Creates a negative image of the original document Note: Off is the factory default setting. |
| Shadow Detail -4 to 4 | Adjusts the amount of shadow detail visible on a scanned image Note: 0 is the factory default setting. |
| ADF Skew Fix Off On | Specifies whether or not to fix slight skew on the scanned image Note: Off is the factory default setting |
| Scan edge to edge Off On | Specifies whether the original document is scanned edge-to-edge Note: Off is the factory default setting. |

| Menu item | Description |
|-------------------------------|---|
| Sharpness 1–5 | Adjusts the amount of sharpness of a scanned image Note: 3 is the factory default setting. |
| Temperature -4 to 4 | Enables the user to specify “warm” or “cool” outputs. “Cool” values generate a bluer output than the default while “warm” values generate a redder output than the default. |

Flash Drive menu

Scan Settings

| Menu item | Description |
|---|--|
| Format PDF (.pdf) Secure PDF TIFF (.tif) JPEG (.jpg) XPS (.xps) | Specifies the format of the file to be sent through FTP Note: PDF (.pdf) is the factory default setting. |
| PDF Version 1.2–1.6 A-1a | Sets the version of the PDF file to be sent through FTP Note: 1.5 is the factory default setting. |
| Content Type Text/Photo Photo Text Graphics | Specifies the type of content that will be scanned through FTP Notes: <ul style="list-style-type: none"> • Text/Photo is the factory default setting. Text/Photo is used when the original document is a mixture of text, graphics, and photos. • Text is used when the content of the original document is mostly text or line art. • Graphics is used when the original document is mostly business-type graphics such as pie charts, bar charts, and animations. • Photo is used when the document being scanned is mostly a photo or an image. |

| Menu item | Description |
|--|---|
| Content Source Color Laser Inkjet Photo/Film Magazine Newspaper Press Other Black and White Laser | Specifies the source of content in the scan job Notes: <ul style="list-style-type: none"> • Color Laser is the factory default setting. Color Laser is used when the original document was printed using a color laser printer. • Black and White Laser is used when the original document was printed using a mono laser printer. • Inkjet is used when the original document was printed using an inkjet printer. • Photo/Film is used when the original document is a photo from film • Magazine is used when the original document is from a magazine. • Newspaper is used when the original document is from a newspaper. • Press is used when the original document was printed using a printing press. • Other is used when the original document was printed using an alternate or unknown printer. |
| Color On Off | Specifies whether or not copies are printed in color Note: On is the factory default setting. |
| Resolution 150 dpi 200 dpi 300 dpi 400 dpi 600 dpi 75 dpi | Specifies the resolution of the scan in dots per inch (dpi) Note: 150 dpi is the factory default setting. |
| Darkness 1–9 | Lightens or darkens the output Note: 5 is the factory default setting. |
| Orientation Portrait Landscape | Specifies the orientation of the scanned image Note: Portrait is the factory default setting. |

| Menu item | Description |
|--|---|
| Original Size Letter Legal Executive Folio Statement Universal 4 x 6 in. 3 x 5 in. Business Card Custom Scan Size [x] A4 A5 Oficio (Mexico) A6 JIS B5 Book Original Auto Size Sense Mixed Sizes | Specifies the paper size of the original document Note: Letter is the US factory default setting. A4 is the international factory default setting. |
| Sides (Duplex) Off Long edge Short edge | Specifies how the text and graphics are oriented on a page Notes: <ul style="list-style-type: none"> • Off is the factory default setting. • Long edge assumes binding along the long edge of the page (left edge for portrait and top edge for landscape). • Short edge assumes binding along the short edge of the page (top edge for portrait and left edge for landscape). |
| JPEG Quality Best for content 5–90 | Sets the quality of a JPEG photo image in relation to file size and quality Notes: <ul style="list-style-type: none"> • “Best for content” is the factory default setting. • 5 reduces the file size, but the quality of the image is lessened. • 90 provides the best image quality, but the file size is very large. • This menu setting applies to all scan functions. |
| Text Default 5–90 | Sets the quality of the text in relation to file size and the quality of the image Note: 75 is the factory default setting. |
| Text/Photo Default 5–90 | Sets the quality of a text/photo image in relation to file size and the quality Note: 75 is the factory default setting. |
| Photo Default 5–90 | Sets the quality of a photo image in relation to file size and the quality Note: 50 is the factory default setting. |

| Menu item | Description |
|--|---|
| Use Multi-Page TIFF On Off | Provides a choice between single-page TIFF files and multiple-page TIFF files. For a multiple-page scan to FTP job, either one TIFF file is created containing all the pages, or multiple TIFF files are created with one file for each page. Notes: <ul style="list-style-type: none"> • On is the factory default setting. • This menu setting applies to all scan functions. |
| Scan Bit Depth 8 bit 1 bit | Enables the Text/Photo mode to have smaller file sizes by using 1-bit images when Color is set to Off Note: 8 bit is the factory default setting. |
| File Name | Lets you enter a base file name Note: A maximum of 53 characters is allowed. |
| Custom Job Scanning Off On | Lets you copy a document containing mixed paper sizes in a single copy job Note: Off is the factory default setting. |
| Scan Preview Off On | Specifies whether a preview appears on the display for scan jobs Note: Off is the factory default setting. |
| Background Removal -4 to 4 | Adjusts the amount of background visible on a copy Note: 0 is the factory default setting. |
| Color Balance Cyan - Red Magenta - Green Yellow - Blue | Enables an equal balance of colors in the scanned image |
| Color Dropout Color Dropout None Red Green Blue Default Red Threshold 0–255 Default Green Threshold 0–255 Default Blue Threshold 0–255 | Specifies which color to drop during scanning, and how much to increase or decrease the dropout Notes: <ul style="list-style-type: none"> • None is the factory default setting for Color Dropout. • 128 is the factory default setting for each color threshold. |
| Contrast Best for content 0–5 | Specifies the contrast of the scanned image Note: “Best for content” is the factory default setting. |
| Mirror Image Off On | Creates a mirror image of the original document Note: Off is the factory default setting. |

| Menu item | Description |
|---------------------------------------|---|
| Negative Image Off On | Creates a negative image of the original document Note: Off is the factory default setting. |
| Shadow Detail -4 to 4 | Adjusts the amount of shadow detail visible on a scanned image Note: 0 is the factory default setting. |
| ADF Skew Fix Off On | Specifies whether or not to fix slight skew on the scanned image Note: Off is the factory default setting |
| Scan edge to edge Off On | Specifies whether the original document is scanned edge-to-edge Note: Off is the factory default setting. |
| Sharpness 1–5 | Adjusts the amount of sharpness on a scanned image Note: 3 is the factory default setting. |
| Temperature -4 to 4 | Enables the user to specify “warm” or “cool” outputs. “Cool” values generate a bluer output than the default while “warm” values generate a redder output than the default. |

Print Settings

| | |
|---|--|
| Copies 1–999 | Specifies a default number of copies for each print job Note: 1 is the factory default setting. |
| Paper Source Tray [x] Manual Paper MP Feeder Manual Envelope | Sets a default paper source for all print jobs Note: Tray 1 is the factory default setting. |
| Color Color Black Only | Generates color print jobs output Note: Color is the factory default setting. |
| Collate On (1,2,1,2,1,2) Off (1,1,1,2,2,2) | Stacks the pages of a print job in sequence when printing multiple copies Note: On is the factory default setting. |
| Sides (Duplex) 1 sided 2 sided | Specifies whether prints are on one side or on both sides of the page Note: 1 sided is the factory default setting. |
| Staple Off On | Specifies whether prints are stapled Notes: <ul style="list-style-type: none"> • Off is the factory default setting. • This menu appears only when a stapler is installed. |

| | |
|---|--|
| Hole Punch Off On | Specifies whether prints have punched holes Notes: <ul style="list-style-type: none"> • Off is the factory default setting. • This menu appears only when a stapler is installed. |
| Hole Punch Mode 2 holes 3 holes 4 holes | Determines the type of punch finishing performed on a print Notes: <ul style="list-style-type: none"> • 3 holes is the US factory default setting. 4 holes is the international factory default setting. • This menu appears only when a puncher is installed. |
| Duplex Binding Long Edge Short Edge | Defines the way duplexed pages are bound and how the printing on the back of the page is oriented in relation to the printing on the front of the page Notes: <ul style="list-style-type: none"> • Long edge assumes binding along the long edge of the page (left edge for portrait and top edge for landscape). • Short edge assumes binding along the short edge of the page (top edge for portrait and left edge for landscape). |
| Paper Saver Orientation Auto Landscape Portrait | Specifies the orientation of a multiple-page document Note: Auto is the factory default setting. The printer chooses between portrait and landscape |
| Paper Saver Off 2-Up 3-Up 4-Up 6-Up 9-Up 12-Up 16-Up | Specifies that multiple-page images be printed on one side of a paper Notes: <ul style="list-style-type: none"> • Off is the factory default setting. • The number selected is the number of page images that will print per side. |
| Paper Saver Border None Solid | Prints a border around each page image Note: None is the factory default setting. |
| Paper Saver Ordering Horizontal Reverse Horizontal Reverse Vertical Vertical | Specifies the positioning of multiple-page images Notes: <ul style="list-style-type: none"> • Horizontal is the factory default setting. • Positioning depends on the number of page images and whether they are in portrait or landscape orientation. |

| | |
|---|--|
| Separator Sheets Off Between Copies Between Jobs Between Pages | Specifies whether blank separator sheets are inserted Notes: <ul style="list-style-type: none"> • Off is the factory default setting. • Between Copies inserts a blank sheet between each copy of a print job if Collate is set to On. If Collate is set to Off, then a blank page is inserted between each set of printed pages, such as after all page 1's and after all page 2's. • Between Jobs inserts a blank sheet between print jobs. • Between Pages inserts a blank sheet between each page of the print job. This setting is useful when printing transparencies or when inserting blank pages in a document for notes. |
| Separator Sheet Source Tray [x] Manual Feeder | Specifies the paper source for separator sheets Notes: <ul style="list-style-type: none"> • Tray 1 is the factory default setting. • From the Paper menu, Configure MP must be set to Cassette in order for Manual Feeder to appear as a menu setting. |
| Blank Pages Do Not Print Print | Specifies whether blank pages are inserted in a print job Note: Do Not Print is the factory default setting. |

Print Settings

Setup menu

| Menu item | Description |
|--|---|
| Printer Language PS Emulation PCL Emulation | Sets the default printer language Notes: <ul style="list-style-type: none"> • PS Emulation is the factory default setting. PostScript emulation uses a PS interpreter for processing print jobs. • PCL Emulation uses a PCL interpreter for processing print jobs. • Setting a printer language default does not prevent a software program from sending print jobs that use another printer language. |
| Job Waiting Off On | Specifies if print jobs are removed from the print queue when they require unavailable printer options or custom settings. These print jobs are stored in a separate print queue, so other jobs print normally. When the missing information and/or options are obtained, the stored jobs print. Notes: <ul style="list-style-type: none"> • Off is the factory default setting. • This menu item appears only if a non-read-only printer hard disk is installed. This requirement ensures that stored jobs are not deleted if the printer loses power. |

| Menu item | Description |
|--|---|
| Print Area Normal Fit to Page Whole Page | Sets the logical and physical printable area Notes: <ul style="list-style-type: none"> • Normal is the factory default setting. When attempting to print data in the non-printable area defined by the Normal setting, the printer clips the image at the boundary. • Fit to Page fits the page content into the selected paper size. • Whole Page allows the image to be moved into the non-printable area defined by the Normal setting, but the printer clips the image at the Normal setting boundary. This setting affects only pages printed using a PCL 5e interpreter and has no effect on pages printed using the PCL XL or PostScript interpreter. |
| Black Only Mode Off On | Sets the printer to print text and graphics using only the black print cartridge Note: Off is the factory default setting. |
| Download Target RAM Flash Disk | Sets the storage location for downloads Notes: <ul style="list-style-type: none"> • RAM is the factory default setting. Storing downloads in RAM is temporary. • Storing downloads in flash memory or on a printer hard disk places them in permanent storage. Downloads remain in flash memory or on the printer hard disk even when the printer is turned off. • This menu item appears only if a flash and/or disk option is installed. |
| Resource Save Off On | Specifies how the printer handles temporary downloads, such as fonts and macros stored in RAM, when the printer receives a print job that requires more memory than is available Notes: <ul style="list-style-type: none"> • Off is the factory default setting. Off sets the printer to retain downloads only until memory is needed. Downloads are deleted in order to process print jobs. • On sets the printer to retain downloads during language changes and printer resets. If the printer runs out of memory, 38 Memory Full appears, but downloads are not deleted. |
| Print All Order Alphabetical Oldest First Newest First | Specifies the order in which held and confidential jobs are printed when Print All is selected Notes: <ul style="list-style-type: none"> • Alphabetical is the factory default setting. • Print jobs always appear in alphabetical order on the printer control panel. |

Job Accounting menu

Note: This menu item appears only if a formatted, non-defective printer hard disk is installed. The printer hard disk cannot be read/write- or write-protected.

| Menu item | Description |
|--|--|
| Job Accounting Log Off On | Determines if the printer creates a log of the print jobs it receives Note: Off is the factory default setting. |
| Job Accounting Utilities | Lets you print and delete log files or export them to a flash drive |
| Accounting Log Frequency Monthly Weekly | Determines how often a log file is created Note: Monthly is the factory default setting. |
| Log Action at End of Frequency None E-mail Current Log E-mail & Delete Current Log Post Current Log Post & Delete Current Log | Determines how the printer responds when the frequency threshold expires Note: None is the factory default setting. |
| Disk Near Full Level 1–99 Off | Specifies the maximum size of the log file before the printer executes the Disk Near Full Action Note: 5MB is the factory default setting. |
| Disk Near Full Action None E-mail Current Log E-mail & Delete Current Log E-mail & Delete Oldest Log Post Current Log Post & Delete Current Log Post & Delete Oldest Log Delete Current Log Delete Oldest Log Delete All Logs Delete All But Current | Determines how the printer responds when the printer hard disk is nearly full Notes: <ul style="list-style-type: none"> • None is the factory default setting. • The value defined in Disk Near Full Level determines when this action is triggered. |
| Disk Full Action None E-mail & Delete Current Log E-mail & Delete Oldest Log Post & Delete Current Log Post & Delete Oldest Log Delete Current Log Delete Oldest Log Delete All Logs Delete All But Current | Determines how the printer responds when disk usage reaches the maximum limit (100MB) Note: None is the factory default setting. |
| URL to Post Logs | Determines where the printer posts job accounting logs |

| Menu item | Description |
|------------------------------------|---|
| E-mail Address to Send Logs | Specifies the e-mail address to which the device sends job accounting logs |
| Log File Prefix | Note: The current host name defined in the TCP/IP menu is used as the default log file prefix. |

Finishing menu

| Menu item | Description |
|---|---|
| Sides (Duplex) 1 sided 2 sided | Specifies whether duplex (2-sided) printing is set as the default for all print jobs Notes: <ul style="list-style-type: none"> • 1 sided is the factory default setting. • You can set 2-sided printing from the software program. For Windows users, click File > Print, and then click Properties, Preferences, Options, or Setup. For Macintosh users, choose File > Print, and then adjust the settings from the print dialog and pop-up menus. |
| Duplex Binding Long Edge Short Edge | Defines the way duplexed pages are bound and how the printing on the back of the page is oriented in relation to the printing on the front of the page Notes: <ul style="list-style-type: none"> • Long Edge is the factory default setting. Long edge assumes binding along the long edge of the page (left edge for portrait and top edge for landscape). • Short edge assumes binding along the short edge of the page (top edge for portrait and left edge for landscape). |
| Copies 1–999 | Specifies the default number of copies for each print job Note: 1 is the factory default setting. |
| Blank Pages Do Not Print Print | Specifies whether blank pages are inserted in a print job Note: Do Not Print is the factory default setting. |
| Collate On (1,2,1,2,1,2) Off (1,1,1,2,2,2) | Stacks the pages of a print job in sequence when printing multiple copies Notes: <ul style="list-style-type: none"> • On is the factory default setting. • On stacks the print job in sequence. |
| Separator Sheets Off Between Copies Between Jobs Between Pages | Specifies whether blank separator sheets are inserted Notes: <ul style="list-style-type: none"> • Off is the factory default setting. • Between Copies inserts a blank sheet between each copy of a print job if Collate is set to On. If Collate is set to Off, a blank page is inserted between each set of printed pages, such as after all page 1's and after all page 2's. • Between Jobs inserts a blank sheet between print jobs. • Between Pages inserts a blank sheet between each page of a print job. This setting is useful when printing transparencies or when inserting blank pages in a document. |

| Menu item | Description |
|---|--|
| Separator Source Tray [x] Manual Feeder | Specifies the paper source for separator sheets Notes: <ul style="list-style-type: none"> • Tray 1 (standard tray) is the factory default setting. • From the Paper menu, Configure MP must be set to Cassette for Manual Feeder to appear as a menu setting. |
| Paper Saver Off 2-Up 3-Up 4-Up 6-Up 9-Up 12-Up 16-Up | Specifies that multiple-page images be printed on one side of a paper Notes: <ul style="list-style-type: none"> • Off is the factory default setting. • The number selected is the number of page images that will print per side. |
| Paper Saver Ordering Horizontal Reverse Horizontal Reverse Vertical Vertical | Specifies the positioning of multiple-page images Notes: <ul style="list-style-type: none"> • Horizontal is the factory default setting. • Positioning depends on the number of page images and whether they are in portrait or landscape orientation. |
| Paper Saver Orientation Auto Landscape Portrait | Specifies the orientation of a multiple-page document Note: Auto is the factory default setting. The printer chooses between portrait and landscape. |
| Paper Saver Border None Solid | Prints a border on each page image. Note: None is the factory default setting. |
| Staple Job Off On | Specifies whether prints are stapled Note: This menu appears only when a stapler is installed. |
| Hole Punch Off On | Specifies whether prints have punched holes Note: This menu appears only when a puncher is installed. |
| Hole Punch Mode 2 holes 3 holes 4 holes | Determines the type of punch finishing performed on a print Notes: <ul style="list-style-type: none"> • 3 holes is the US factory default setting. 4 holes is the international factory default setting. • This menu appears only when a puncher is installed. |

| Menu item | Description |
|---|---|
| Offset Pages None Between Copies Between Jobs | Offsets pages at certain instances Notes: <ul style="list-style-type: none"> • None is the factory default setting. • Between Copies offsets each copy of a print job if Collate is set to On. If Collate is set to Off, each set of printed pages are offset, such as all page 1's and all page 2's. • Between Jobs sets the same offset position for the entire print job regardless of the number of copies printed. • This menu appears only when a stapler is installed. |

Quality menu

| Menu item | Description |
|--|---|
| Print Mode Color Black Only | Specifies whether images are printed in color or in black and white Note: Color is the factory default setting. |
| Color Correction Auto Off Manual | Adjusts the color output on the printed page Notes: <ul style="list-style-type: none"> • Auto is the factory default setting. Auto applies different color conversion tables to each object on the printed page. • Off turns off color correction. • Manual allows customization of the color tables using the settings available from the Manual Color menu. • Due to the differences in additive and subtractive colors, certain colors that appear on computer monitors are impossible to duplicate on the printed page. |
| Print Resolution 4800 CQ 1200 dpi | Specifies the printed output resolution Note: 4800 CQ is the factory default setting. |
| Toner Darkness 1–5 | Lightens or darkens the printed output Notes: <ul style="list-style-type: none"> • 4 is the factory default setting. • Selecting a smaller number can help conserve toner. • If Print Mode is set to Black Only, then a setting of 5 increases toner density and darkness to all print jobs. • If Print Mode is set to Color, then a setting of 5 is the same as a setting of 4. |

| Menu item | Description |
|---|---|
| Enhance Fine Lines Off On | Enables a print mode preferable for files such as architectural drawings, maps, electrical circuit diagrams, and flow charts Notes: <ul style="list-style-type: none"> • Off is the factory default setting. • You can set this option from the software program. For Windows users, click File > Print > Properties > Preferences > Options, or Setup. For Macintosh users, choose File > Print, and then adjust the settings from the print dialog and pop-up menus. • To set Enhance Fine Lines using the Embedded Web Server, type the network printer IP address in a browser window. |
| Color Saver Off On | Reduces the amount of toner used for graphics and images. The amount of toner used for text is not reduced. Notes: <ul style="list-style-type: none"> • Off is the factory default setting. • On overrides Toner Darkness settings. |
| RGB Brightness -6 to 6 | Adjusts brightness in color outputs Notes: <ul style="list-style-type: none"> • 0 is the factory default setting. • -6 is the maximum decrease. 6 is the maximum increase. • This does not affect files where CMYK color specifications are being used. |
| RGB Contrast 0–5 | Adjusts contrast in color outputs Notes: <ul style="list-style-type: none"> • 0 is the factory default setting. • This does not affect files where CMYK color specifications are being used. |
| RGB Saturation 0–5 | Adjusts saturation in color outputs Notes: <ul style="list-style-type: none"> • 0 is the factory default setting. • This does not affect files where CMYK color specifications are being used. |
| Color Balance Cyan -5 to 5 Magenta -5 to 5 Yellow -5 to 5 Black -5 to 5 Reset Defaults 0 | Adjusts color in printed output by increasing or decreasing the amount of toner being used for each color Note: 0 is the factory default setting. |

| Menu item | Description |
|--|--|
| <p>Color Samples</p> <ul style="list-style-type: none"> sRGB Display sRGB Vivid Display—True Black Vivid Off—RGB US CMYK Euro CMYK Vivid CMYK Off—CMYK | <p>Prints sample pages for each of the RGB and CMYK color conversion tables used in the printer</p> <p>Notes:</p> <ul style="list-style-type: none"> • Selecting any setting prints the sample. • Color samples consist of a series of colored boxes along with the RGB or CMYK combination that creates the color observed. These pages can be used to help decide which combinations to use to get the desired printed output. • From a browser window, type the IP address of the printer to access a complete list of color sample pages from the Embedded Web Server. |
| <p>Manual Color</p> <ul style="list-style-type: none"> RGB Image <ul style="list-style-type: none"> Vivid sRGB Display Display True Black sRGB Vivid Off RGB Text <ul style="list-style-type: none"> Vivid sRGB Display Display True Black sRGB Vivid Off RGB Graphics <ul style="list-style-type: none"> Vivid sRGB Display Display True Black sRGB Vivid Off | <p>Customizes the RGB color conversions</p> <p>Notes:</p> <ul style="list-style-type: none"> • sRGB Display is the factory default setting for RGB Image. This applies a color conversion table to an output that matches the colors displayed on a computer monitor. • sRGB Vivid is the factory default setting for RGB Text and RGB Graphics. sRGB Vivid applies a color table that increases saturation. This is preferred for business graphics and text. • Vivid applies a color conversion table that produces brighter, more saturated colors. • Display—True Black applies a color conversion table that uses only black toner for neutral gray colors. • Off turns off color conversion. |

| Menu item | Description |
|--|---|
| Manual Color CMYK Image US CMYK Euro CMYK Vivid CMYK Off CMYK Text US CMYK Euro CMYK Vivid CMYK Off CMYK Graphics US CMYK Euro CMYK Vivid CMYK Off | Customizes the CMYK color conversions Notes: <ul style="list-style-type: none"> • US CMYK is the US factory default setting. US CMYK applies a color conversion table that tries to produce output that matches SWOP color output. • Euro CMYK is the international factory default setting. Euro CMYK applies a color conversion table that tries to produce output that matches EuroScale color output. • Vivid CMYK increases color saturation for the US CMYK color conversion table. • Off turns off color conversion. |
| Spot Color Replacement | Allows users to create and save custom spot colors with corresponding CMYK values |
| Color Adjust | Initiates a recalibration of color conversion tables and allows the printer to make adjustments for color variations in output Notes: <ul style="list-style-type: none"> • Adjusting color starts when the menu is selected. Adjusting appears on the display until the process is finished. • Color variations in output sometimes result from changeable conditions such as room temperature and humidity. Color adjustments are made on printer algorithms. Color alignment is also recalibrated in this process. |

Utilities menu

| Menu item | Description |
|--|---|
| Remove Held Jobs Confidential Held Not Restored All | Removes confidential and held jobs from the printer hard disk Notes: <ul style="list-style-type: none"> • Selecting a setting affects only print jobs that are resident in the printer. Bookmarks, print jobs on flash drives, and other types of held jobs are not affected. • Not Restored removes all Print and Hold jobs that are <i>not</i> restored from the printer hard disk or memory. |

| Menu item | Description |
|--|---|
| Format Flash Yes No | Formats the flash memory Warning—Potential Damage: Do not turn off the printer while the flash memory is being formatted. Notes: <ul style="list-style-type: none"> • Yes deletes all data stored in flash memory. • No cancels the format request. • Flash memory refers to the memory added by installing a flash memory option card in the printer. • A flash memory option card must be installed in the printer and operating properly for this menu item to be available. • The flash memory option card must not be read/write- or write-protected. |
| Delete Downloads on Disk Delete Now Do Not Delete | Removes downloads from the printer hard disk, including all held jobs, buffered jobs, and parked jobs Notes: <ul style="list-style-type: none"> • Delete Now configures the printer control panel to return to the originating screen after the deletion process is completed. • Do Not Delete sets the printer control panel to return to the main Utilities menu. |
| Activate Hex Trace | Assists in isolating the source of a print job problem Notes: <ul style="list-style-type: none"> • When activated, all data sent to the printer is printed in hexadecimal and character representation, and control codes are not executed. • To exit or deactivate Hex Trace, turn the printer off or reset the printer. |
| Coverage Estimator Off On | Provides an estimate of the percentage coverage of toner on a page. The estimate is printed on a separate page at the end of each print job. Note: Off is the factory default setting. |

XPS menu

| Menu item | Description |
|---------------------------------------|---|
| Print Error Pages Off On | Prints a page containing information on errors, including XML markup errors Note: Off is the factory default setting. |

PDF menu

| Menu item | Description |
|----------------------------------|---|
| Scale to Fit No Yes | Scales page content to fit the selected paper size Note: No is the factory default setting. |

| Menu item | Description |
|---|--|
| Annotations Do Not Print Print | Prints annotations in a PDF Note: Do Not Print is the factory default setting. |

PostScript menu

| Menu item | Description |
|--|--|
| Print PS Error Off On | Prints a page containing the PostScript error Note: Off is the factory default setting. |
| Lock PS Startup Mode Off On | Enables users to disable the SysStart file Note: Off is the factory default setting. |
| Font Priority Resident Flash/Disk | Establishes the font search order Notes: <ul style="list-style-type: none"> Resident is the factory default setting. This menu item is available only if a formatted flash memory option card or printer hard disk is installed and operating properly. Make sure the flash memory option or printer hard disk is not read/write-, write-, or password-protected. Job Buffer Size must not be set to 100%. |
| Image Smoothing Off On | Enhances the contrast and sharpness of low-resolution images and smooths their color transitions Notes: <ul style="list-style-type: none"> Off is the factory default setting. Image Smoothing has no effect on images that are 300 dpi or higher in resolution. |

PCL Emul menu

| Menu item | Description |
|--|---|
| Font Source Resident Disk Download Flash All | Specifies the set of fonts used by the Font Name menu item Notes: <ul style="list-style-type: none"> Resident is the factory default setting. It shows the factory default set of fonts downloaded in RAM. Flash and Disk settings show all fonts resident in that option. Make sure the flash option is properly formatted and is not read/write-, or password-protected. Download shows all the fonts downloaded in RAM. All shows all fonts available to any option. |

| Menu item | Description |
|---|---|
| Font Name RO Courier | Identifies a specific font and where it is stored Note: RO Courier is the factory default setting. The RO Courier format shows the font name, font ID, and storage location in the printer. The font source abbreviation is R for Resident, F for Flash, K for Disk, and D for Download. |
| Symbol Set 10U PC-8 12U PC-850 | Specifies the symbol set for each font name Notes: <ul style="list-style-type: none"> • 10U PC-8 is the US factory default setting. 12U PC-850 is the international factory default setting. • A symbol set is a set of alphabetical and numeric characters, punctuation, and special symbols. Symbol sets support the different languages or specific programs such as math symbols for scientific text. Only the supported symbol sets are shown. |
| PCL Emulation Settings Point Size 1.00–1008.00 | Changes the point size for scalable typographic fonts Notes: <ul style="list-style-type: none"> • 12 is the factory default setting. • Point Size refers to the height of the characters in the font. One point equals approximately 1/72 of an inch. • Point sizes can be increased or decreased in 0.25-point increments. |
| PCL Emulation Settings Pitch 0.08–100 | Specifies the font pitch for scalable monospaced fonts Notes: <ul style="list-style-type: none"> • 10 is the factory default setting. • Pitch refers to the number of fixed-space characters per inch (cpi). • Pitch can be increased or decreased in 0.01-cpi increments. • For non-scalable monospaced fonts, the pitch appears on the display but cannot be changed. |
| PCL Emulation Settings Orientation Portrait Landscape | Specifies the orientation of text and graphics on a page Notes: <ul style="list-style-type: none"> • Portrait is the factory default setting. • Portrait prints text and graphics parallel to the short edge of the page. • Landscape prints text and graphics parallel to the long edge of the page. |
| PCL Emulation Settings Lines per Page 1–255 | Specifies the number of lines that print on each page Notes: <ul style="list-style-type: none"> • 60 is the US factory default setting. 64 is the international default setting. • The printer sets the amount of space between each line based on the Lines per Page, Paper Size, and Orientation settings. Select the desired Paper Size and Orientation before setting Lines per Page. |

| Menu item | Description |
|---|---|
| PCL Emulation Settings A4 Width 198 mm 203 mm | Sets the printer to print on A4-size paper Notes: <ul style="list-style-type: none"> • 198 mm is the factory default setting. • The 203-mm setting sets the width of the page to allow the printing of eighty 10-pitch characters. |
| PCL Emulation Settings Auto CR after LF Off On | Specifies whether the printer automatically performs a carriage return (CR) after a line feed (LF) control command Note: Off is the factory default setting. |
| PCL Emulation Settings Auto LF after CR Off On | Specifies whether the printer automatically performs a line feed (LF) after a carriage return (CR) control command Note: Off is the factory default setting. |
| Tray Renumber Assign MP Feeder Off None 0–199 Assign Tray [x] Off None 0–199 Assign Manual Paper Off None 0–199 Assign Manual Env Off None 0–199 | Configures the printer to work with printer software or programs that use different source assignments for trays, drawers, and feeders Notes: <ul style="list-style-type: none"> • Off is the factory default setting. • None ignores the Select Paper Feed command. This selection is displayed only when it is selected by the PCL 5e interpreter. • 0–199 allows a custom setting to be assigned. |
| Tray Renumber View Factory Defaults MPF Default = 8 T1 Default = 1 T2 Default = 4 T3 Default = 5 T4 Default = 20 T5 Default = 21 Env Default = 6 MPaper Default = 2 MEnv Default = 3 | Displays the factory default setting assigned to each tray, drawer, or feeder |

| Menu item | Description |
|---|--|
| Tray Renumber Restore Defaults Yes No | Returns all tray, drawer, and feeder assignments to the factory default settings |

HTML menu

| Menu Item | Description |
|--|--|
| Font Name Albertus MT Antique Olive Apple Chancery Arial MT Avant Garde Bodoni Bookman Chicago Clarendon Cooper Black Copperplate Coronet Courier Eurostile Garamond Geneva Gill Sans Goudy Helvetica Hoefler Text Intl CG Times Intl Courier Intl Univers | Joanna MT Letter Gothic Lubalin Graph Marigold MonaLisa Recut Monaco New CenturySbk New York Optima Oxford Palatino StempelGaramond Taffy Times TimesNewRoman Univers Zapf Chancery NewSansMTCS NewSansMTCT New SansMTJA NewSansMTKO |
| | Sets the default font for HTML documents Note: The Times font is used in HTML documents that do not specify a font. |

| Menu item | Description |
|------------------------------|---|
| Font Size 1–255 pt | Sets the default font size for HTML documents Notes: <ul style="list-style-type: none"> • 12 pt is the factory default setting. • Font size can be increased in 1-point increments. |

| Menu item | Description |
|---|--|
| Scale 1–400% | Scales the default font for HTML documents Notes: <ul style="list-style-type: none"> • 100% is the factory default setting. • Scaling can be increased in 1% increments. |
| Orientation Portrait Landscape | Sets the page orientation for HTML documents Note: Portrait is the factory default setting. |
| Margin Size 8–255 mm | Sets the page margin for HTML documents Notes: <ul style="list-style-type: none"> • 19 mm is the factory default setting. • Margin size can be increased in 1-mm increments. |
| Backgrounds Print Do Not Print | Specifies whether to print backgrounds on HTML documents Note: Print is the factory default setting. |

Image menu

| Menu item | Description |
|---|--|
| Auto Fit On Off | Selects the optimal paper size, scaling, and orientation Note: On is the factory default setting. It overrides scaling and orientation settings for some images. |
| Invert Off On | Inverts bi-tonal monochrome images Notes: <ul style="list-style-type: none"> • Off is the factory default setting. • This setting does not apply to GIF or JPEG images. |
| Scaling Best Fit Anchor Center Fit Height/Width Fit Height Fit Width Anchor Top Left | Scales the image to fit the selected paper size Notes: <ul style="list-style-type: none"> • Best Fit is the factory default setting. • When Auto Fit is set to On, Scaling is automatically set to Best Fit. |
| Orientation Portrait Landscape Rev Portrait Rev Landscape | Sets the image orientation Note: Portrait is the factory default setting. |

Help menu

The Help menu consists of a series of Help pages that are stored in the multifunction printer (MFP) as PDF files. They contain information about using the printer and performing various tasks, including copying, scanning, and faxing.

English, French, German, and Spanish translations are stored in the printer. Other translations are available at <http://support.lexmark.com>.

| Menu item | Description |
|---------------------|--|
| Print All Guides | Prints all the guides |
| Copy Guide | Provides information about making copies and changing settings |
| Fax Guide | Provides information about sending faxes using fax numbers, shortcut numbers, or the address book, and about changing settings |
| E-mail Guide | Provides information about sending e-mails using addresses, shortcut numbers, or the address book, and about changing settings |
| FTP Guide | Provides information about scanning documents directly to an FTP server using an FTP address, shortcut numbers, or the address book, and about changing settings |
| Print Defects Guide | Provides help in resolving repeating defects in copies or prints |
| Information Guide | Provides help in locating additional information |
| Supplies Guide | Provides part numbers for ordering supplies |

Securing the memory before moving the printer

Statement of Volatility

Your printer contains various types of memory that are capable of storing device and network settings, information from embedded solutions, and user data. The types of memory—along with the types of data stored by each—are described below.

- **Volatile memory**—Your device utilizes standard *Random Access Memory* (RAM) to temporarily buffer user data during simple print and copy jobs.
- **Non-volatile memory**—Your device may utilize two forms of non-volatile memory: EEPROM and NAND (flash memory). Both types are used to store the operating system, device settings, network information, scanner and bookmark settings, and embedded solutions.
- **Hard disk memory**—Some devices have a hard disk drive installed. The printer hard disk is designed for device-specific functionality and cannot be used for long term storage for data that is not print-related. The hard disk does not provide the capability for users to extract information, create folders, create disk or network file shares, or FTP information directly from a client device. The hard disk can retain buffered user data from complex scan, print, copy, and fax jobs, as well as form data, and font data.

There are several circumstances under which you might wish to erase the contents of the memory devices installed in your printer. A partial list includes:

- The printer is being decommissioned
- The printer hard drive is being replaced
- The printer is being moved to a different department or location
- The printer is being serviced by someone from outside your organization
- The printer is being removed from your premises for service
- The printer is being sold to another organization

Disposing of a hard drive

Note: Not all printers have a hard disk installed.

In high-security environments, it may be necessary to take additional steps to ensure that confidential data stored on the printer hard disk cannot be accessed once the printer—or its hard disk—is removed from your premises. While most data can be erased electronically, you may want to consider one or more of the following actions before disposing of a printer or hard disk:

- **Degaussing**—Flushes the hard drive with a magnetic field that erases stored data
- **Crushing**—Physically compresses the hard disk to break component parts and render them unreadable
- **Milling**—Physically shreds the hard disk into small metal bits

Note: While most data can be erased electronically, the only way to guarantee that all data is completely erased is to physically destroy each memory device on which data could have been stored.

Erasing volatile memory

The volatile memory (RAM) installed on your printer requires a power source to retain information. To erase the buffered data, simply power down the device.

Erasing non-volatile memory

- **Individual settings, device and network settings, security settings, and embedded solutions**—Erase information and settings by selecting Wipe All Settings in the Configuration menu.
- **Fax data**—Erase fax settings and data by selecting Wipe All Settings in the Configuration menu.

1 Turn off the printer.

2 Hold down **2_{ABC}** and **6_{MNO}** while turning the printer on. Release the buttons only when the screen with the progress bar appears.

The printer performs a power-on sequence, and then the Configuration menu appears. When the printer is fully powered up, the touch screen displays a list of functions, instead of the standard home screen icons.

3 Touch **Wipe All Settings**.

The printer will reboot several times during this process.

Note: Wipe All Settings securely removes device settings, solutions, jobs, faxes, and passwords on the printer.

4 Touch **Back > Exit Config Menu**.

The printer will power-on reset, and then return to normal operating mode.

Erasing printer hard disk memory

Note: Your printer may not have a hard disk installed.

Configuring Disk Wiping in the printer menus enables you to remove residual confidential material left by scan, print, copy, and fax jobs, by securely overwriting files that have been marked for deletion.

Using the printer control panel

1 Turn off the printer.

2 Hold down **2_{ABC}** and **6_{MNO}** while turning the printer on. Release the buttons only when the screen with the progress bar appears.

The printer performs a power-on sequence, and then the Configuration menu appears. When the printer is fully powered up, the touch screen displays a list of functions, instead of the standard home screen icons.

3 Touch **Wipe Disk**, and then touch one of the following:

- **Wipe disk (fast)**—This lets you overwrite the disk with all zeroes in a single pass.
- **Wipe disk (secure)**—This lets you overwrite the disk with random bit patterns several times, followed by a verification pass. A secure overwrite is compliant with the DoD 5220.22-M standard for securely erasing data from a hard disk. Highly confidential information should be wiped using this method.

4 Touch **Yes** to proceed with disk wiping. A status bar will indicate the progress of the disk wiping task.

Note: Disk wiping can take from several minutes to more than an hour, during which the printer will be unavailable for other user tasks.

5 Touch **Back > Exit Config Menu**.

The printer will power-on reset, and then return to normal operating mode.

Configuring printer hard disk encryption

Note: Your printer may not have a hard disk installed.

Enabling hard disk encryption helps prevent the loss of sensitive data in the event your printer or its hard disk is stolen.

Using the Embedded Web Server

- 1 From the Embedded Web Server, click **Settings > Security > Disk Encryption**.

Note: Disk Encryption appears in the Security Menu only when a formatted, non-defective printer hard disk is installed.

- 2 From the Disk encryption menu, select **Enable**.

Notes:

- Enabling disk encryption will erase the content of the printer hard disk.
- Disk encryption can take from several minutes to more than an hour, during which the printer will be unavailable for other user tasks.

- 3 Click **Submit**.

Using the printer control panel

- 1 Turn off the printer.

- 2 Hold down **2 ABC** and **6 MNO** while turning the printer on. Release the buttons only when the screen with the progress bar appears.

The printer performs a power-on sequence, and then the Configuration menu appears. Once the printer is fully powered up, the touch screen displays a list of functions, instead of standard home screen icons such as Copy or Fax.

- 3 Touch **Disk Encryption > Enable**.

Note: Enabling disk encryption will erase the contents of the printer hard disk.

- 4 Touch **Yes** to proceed with disk wiping.

A status bar will indicate the progress of the disk wiping task. After the disk has been encrypted, the printer will return to the Enable/Disable screen.

Notes:

- Do not turn off the printer during the encryption process. Doing so may result in loss of data.
- Disk encryption can take from several minutes to more than an hour, during which the printer will be unavailable for other user tasks.

- 5 Touch **Back**, and then **Exit Config Menu**.

The printer will power-on reset, and then return to normal operating mode.

Maintaining the printer

Cleaning the exterior of the printer

- 1 Make sure that the printer is turned off and unplugged from the wall outlet.

⚠ CAUTION—SHOCK HAZARD: To avoid the risk of electric shock when cleaning the exterior of the printer, unplug the power cord from the wall outlet and disconnect all cables to the printer before proceeding.

- 2 Remove paper from the standard exit bin.
- 3 Dampen a clean, lint-free cloth with water.

Warning—Potential Damage: Do not use household cleaners or detergents, as they may damage the finish of the printer.

- 4 Wipe only the outside of the printer, making sure to include the standard exit bin.

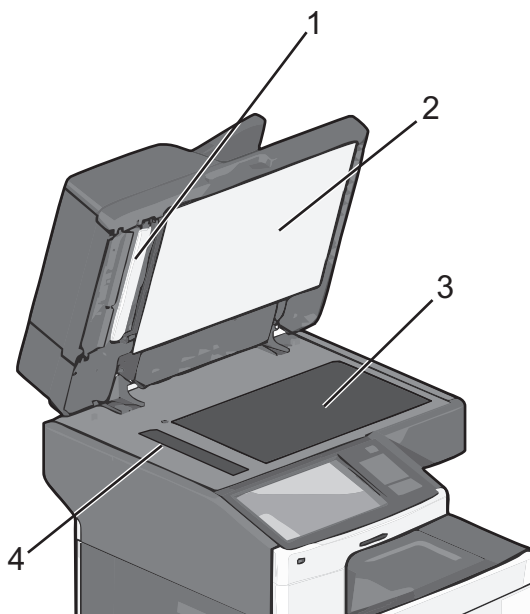
Warning—Potential Damage: Using a damp cloth to clean the interior may cause damage to your printer.

- 5 Make sure the paper support and standard exit bin are dry before beginning a new print job.

Cleaning the scanner glass

Clean the scanner glass if you encounter print quality problems, such as streaks on copied or scanned images.

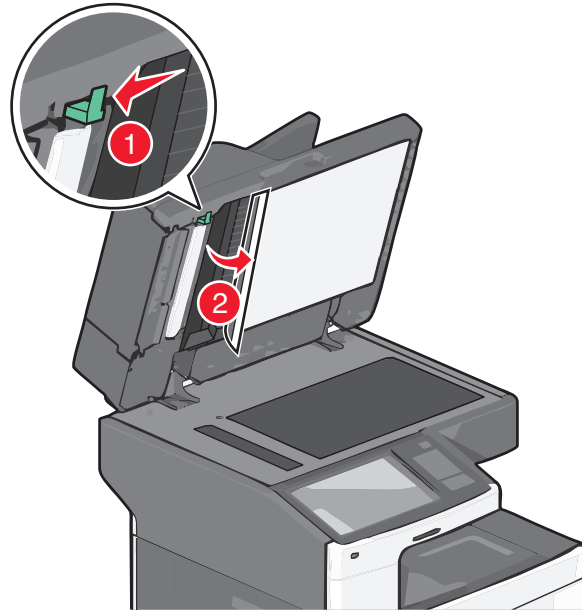
- 1 Slightly dampen a soft, lint-free cloth or paper towel with water.
- 2 Open the scanner cover.



| | |
|---|--------------------------------------|
| 1 | White underside of the ADF cover |
| 2 | White underside of the scanner cover |

| | |
|---|---------------|
| 3 | Scanner glass |
| 4 | ADF glass |

- 3 Wipe the areas shown and let them dry.
- 4 Open the bottom ADF door.

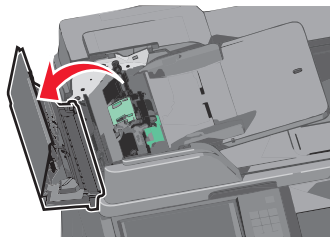


- 5 Wipe the ADF scanner glass under the ADF door.
- 6 Close the bottom ADF door.
- 7 Close the scanner cover.

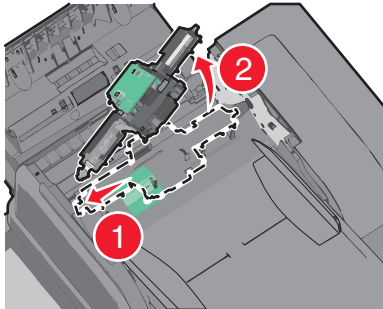
Cleaning the ADF parts

Clean the ADF parts periodically to maintain optimal printing performance. Residue on the ADF parts may cause print quality issues and false 280–299 paper jam messages.

- 1 Turn the printer off.
- 2 Slightly dampen a soft, lint-free cloth with water.
- 3 Open the ADF cover.

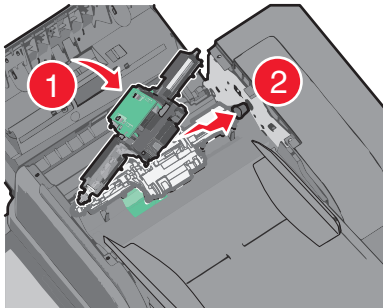


4 Remove the pick roller assembly.



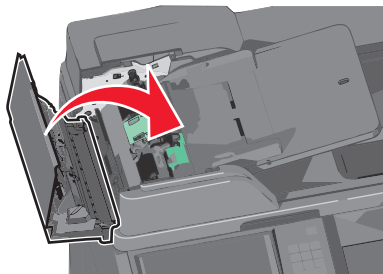
5 Wipe the surface of both pick rollers.

6 Replace the pick roller assembly.



7 Wipe the entire surface under the ADF cover.

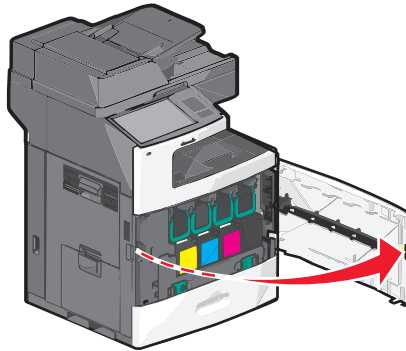
8 Close the ADF cover.



Cleaning the printhead lenses

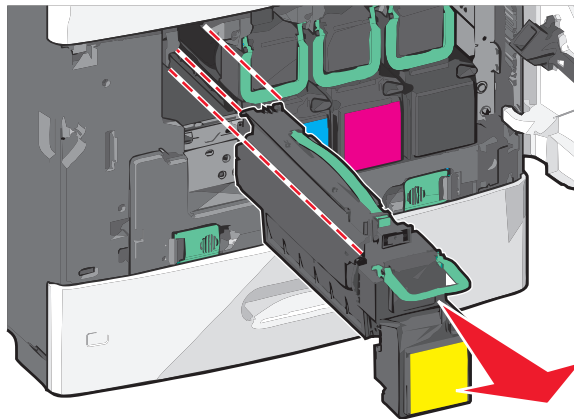
Clean the printhead lenses when you encounter print quality problems.

- 1 Open the front door.

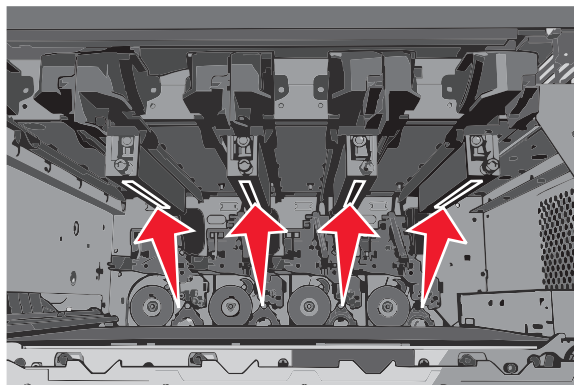


- 2 Remove all print cartridges.

Warning—Potential Damage: Do not touch the shiny area on the photoconductor drum. Doing so can damage the photoconductor.



- 3 Locate the four printhead lenses.

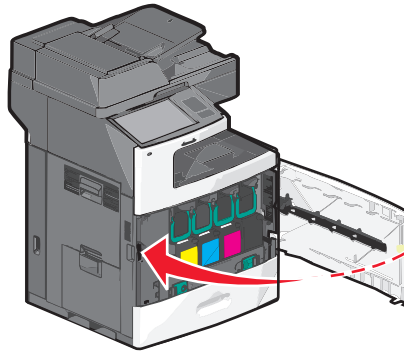


- 4 Clean the lenses using compressed air.

Warning—Potential Damage: Do not touch the printhead lenses.

- 5 Reinstall the print cartridges.

6 Close the front door.



Storing supplies

Choose a cool, clean storage area for the printer supplies. Store supplies right side up in their original packing until you are ready to use them.

Do not expose supplies to:

- Direct sunlight
- Temperatures above 35°C (95°F)
- High humidity above 80%
- Salty air
- Corrosive gases
- Heavy dust

Checking the status of supplies

A message appears on the display when a replacement supply item is needed or when maintenance is required.

Checking the status of supplies from the printer control panel

From the home screen, touch **Status/Supplies > View Supplies**.

Checking the status of supplies from a network computer

Note: The computer must be connected to the same network as the printer.

1 Type the printer IP address into the address field of your Web browser.

If you do not know the IP address of the printer, you can:

- View the IP address on the printer control panel in the TCP/IP section under the Networks/Ports menu.
- Print a network setup page or the menu settings pages and locate the IP address in the TCP/IP section.

2 Click **Device Status**.

The Device Status page appears, displaying a summary of supply levels.

Ordering supplies

To order supplies in the U.S., contact Lexmark at 1-800-539-6275 for information about Lexmark authorized supplies dealers in your area. In other countries or regions, visit the Lexmark Web Site at www.lexmark.com or contact the place where you purchased the printer.

Notes:

- The toner gauge is an estimate of how much toner is left in your cartridge.
- All life estimates for printer supplies assume printing on letter- or A4-size plain paper.

Ordering a print cartridge

When **88 [color] cartridge low** or **88 [color] cartridge nearly low** appears, order a new cartridge.

Estimated cartridge yield is based on the ISO/IEC 19798 standard. Extremely low print coverage (less than 1.25%) for extended periods of time may negatively affect actual yield and may cause cartridge parts to fail prior to exhaustion of toner.

Recommended print cartridge and part number

| Part name | Lexmark Return Program Cartridge | Regular cartridge |
|--|----------------------------------|-------------------|
| Cyan Print Cartridge | C792A1CG | C792A2CG |
| Cyan Extra High Yield Print Cartridge | C792X1CG | C792X2CG |
| Magenta Print Cartridge | C792A1MG | C792A2MG |
| Magenta Extra High Yield Print Cartridge | C792X1MG | C792X2MG |
| Yellow Print Cartridge | C792A1YG | C792A2YG |
| Yellow Extra High Yield Print Cartridge | C792X1YG | C792X2YG |
| Black Print Cartridge | C792A1KG | C792A2KG |
| Black Extra High Yield Print Cartridge | C792X1KG | C792X2KG |

Ordering a fuser or a transfer module

When **80 Fuser Life Warning** or **83 Transfer Module Life Warning** appears, order a replacement fuser or a transfer module.

When **80 Replace Fuser** or **83 Replace Transfer Module** appears, install the new fuser or the new transfer module. For installation information, see the documentation that came with the part.

| Part name | Part number |
|-----------------|---|
| Fuser | 40X7102 (100 volts) 40X7100 (115 volts) 40X7101 (230 volts) |
| Transfer Module | 40X7103 |

Ordering a waste toner bottle

When **82 Waste toner bottle nearly full** appears, order a replacement waste toner bottle.

When **82 Replace waste toner bottle** appears, replace the waste toner bottle.

Note: Waste toner bottle reuse is not recommended.

| Part name | Part number |
|--------------------|-------------|
| Waste toner bottle | C792X77G |

Ordering staple cartridges

When **Staples Low** or **Staples Empty** appears, order the specified staple cartridge.

For more information, see the illustrations inside the stapler door.

| Part name | Part number |
|--|-------------|
| Staple Cartridges–3 pack (Since a pack contains 5,000 staples, a 3-pack contains 15,000 staples.) | 25A0013 |

Ordering an ADF kit

Order an ADF kit if you experience problems with paper double-feeding or paper failing to feed through the ADF.

| Part name | Part number |
|-----------|-------------|
| ADF kit | 40X7220 |

Ordering a cleaning kit

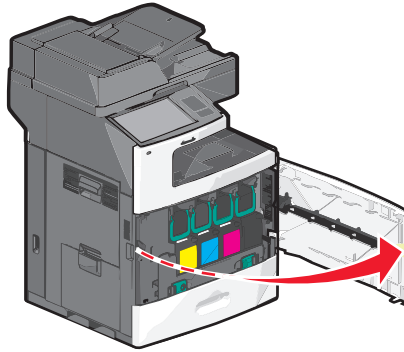
Use the wet and dry wipes from the cleaning kit to clean the touch screen.

| Part name | Part number |
|----------------------------------|-------------|
| Cleaning kit (wet and dry wipes) | 40X0392 |

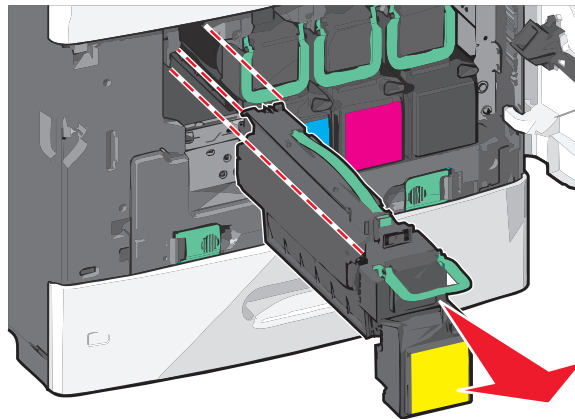
Replacing supplies

Replacing a print cartridge

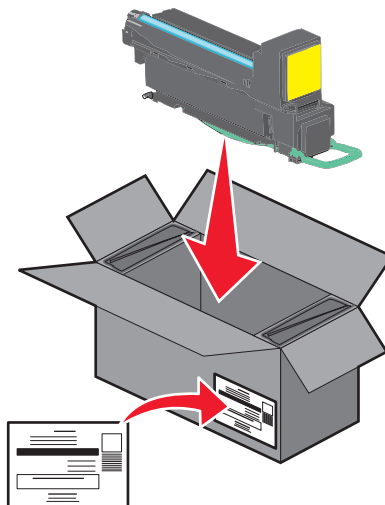
- 1 Open the front door.



- 2 Lift the green handle and pull the print cartridge. Grasp the top handle and lift the cartridge out of the machine.

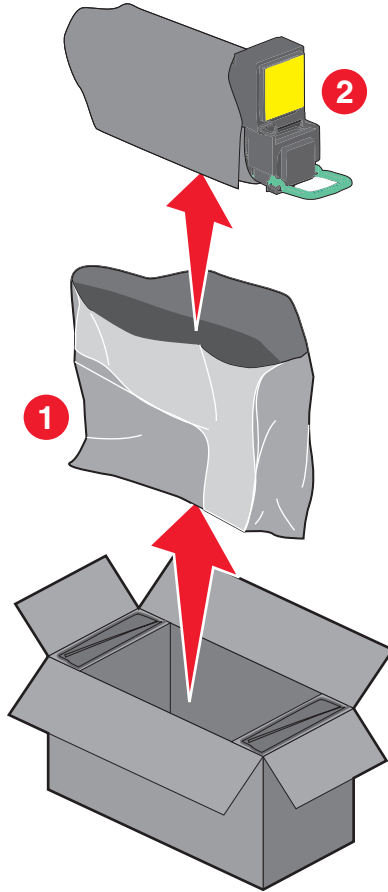
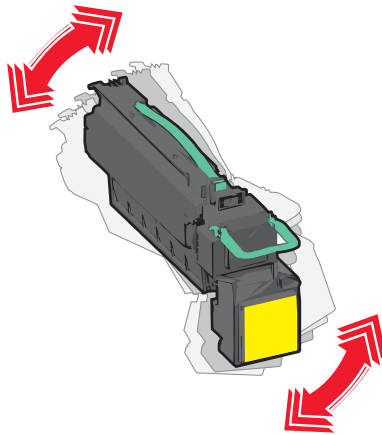


- 3 Place the old cartridge in the replacement cartridge shipping box, and then attach the return label to the box for shipping.

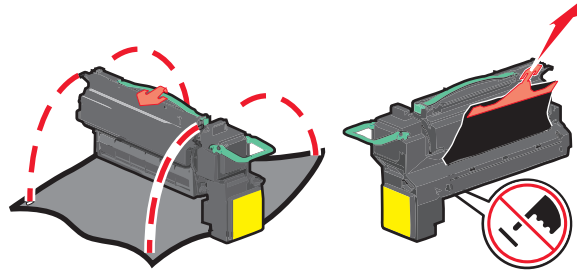


4 Unpack a new print cartridge.

Warning—Potential Damage: Be careful not to touch the photoconductor drum. Doing so may affect the print quality of future print jobs.

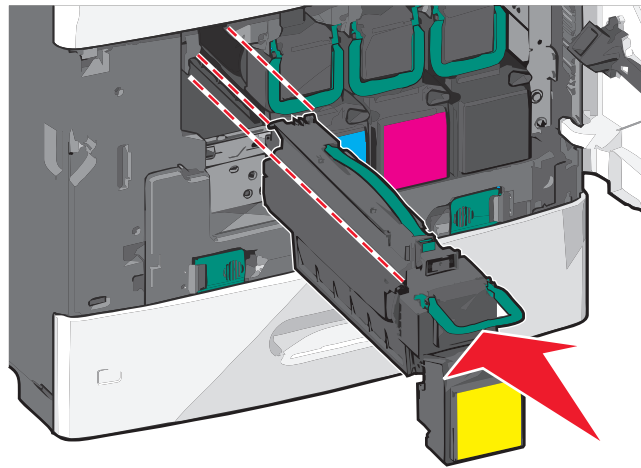
**5** Shake the new cartridge front-to-back and side-to-side to evenly distribute the toner.

- 6 Remove the red packing strip from the new cartridge.

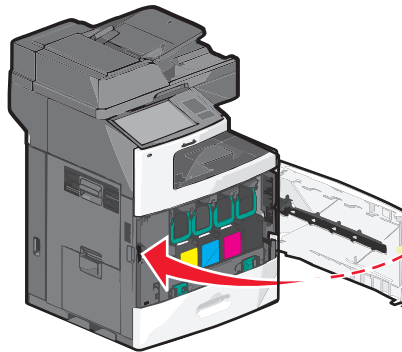


- 7 Insert the new cartridge into the printer, and then push the green handle back in place.

Note: Make sure the cartridge is fully pushed in.



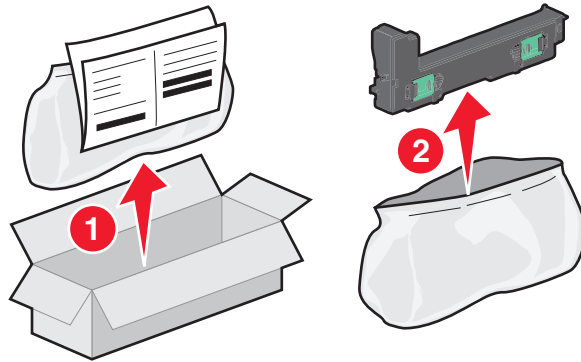
- 8 Close the front door.



Replacing the waste toner bottle

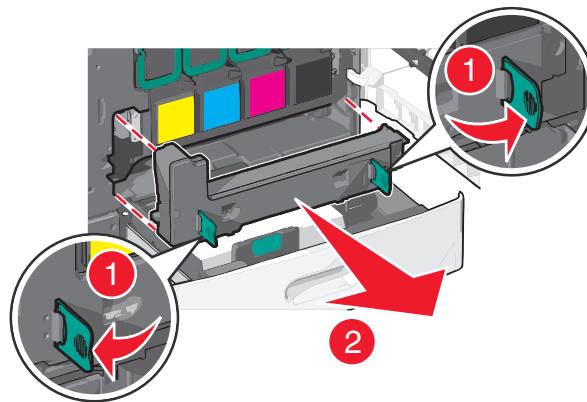
Replace the waste toner bottle when **82.xx Replace waste toner bottle** appears. The printer will not continue printing until the waste toner bottle is replaced.

- 1 Remove the replacement waste toner bottle from its shipping box, and then unpack it.



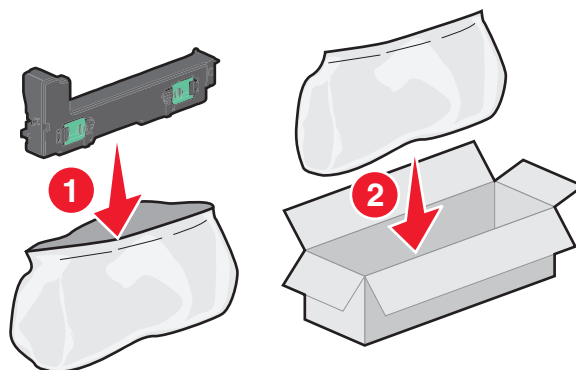
- 2 Open the printer front door, and then open tray 1.

- 3 Pull the green tabs sideways, and then grasp and pull the tabs with both hands to remove the waste toner bottle.

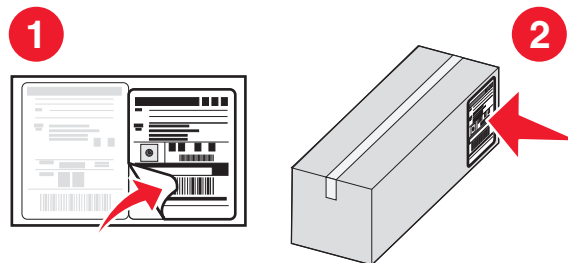


- 4 Place the waste toner bottle in the recycling bag.

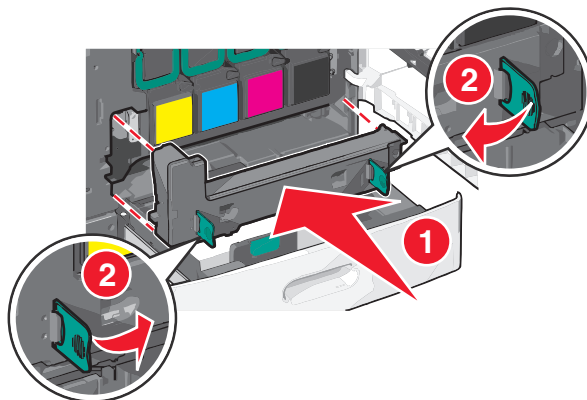
- 5 Place the bag into the shipping box you removed the replacement part from.



6 Peel the recycling label off, and place it on the shipping box.



7 Insert the new waste toner bottle into the printer.



8 Close tray 1, and then close the front door.

Moving the printer

Before moving the printer

CAUTION—POTENTIAL INJURY: The printer weight is greater than 18 kg (40 lb) and requires two or more trained personnel to lift it safely.

CAUTION—POTENTIAL INJURY: Before moving the printer, follow these guidelines to avoid personal injury or printer damage:

- Turn the printer off using the power switch, and then unplug the power cord from the wall outlet.
- Disconnect all cords and cables from the printer before moving it.
- Lift the printer off of the optional drawer and set it aside instead of trying to lift the drawer and printer at the same time.

Note: Use the handholds located on both sides of the printer to lift it off the optional drawer.

Warning—Potential Damage: Damage to the printer caused by improper moving is not covered by the printer warranty.

Moving the printer to another location

The printer and options can be safely moved to another location by following these precautions:

- Any cart used to move the printer must have a surface able to support the full footprint of the printer. Any cart used to move the options must have a surface able to support the dimensions of the options.
- Keep the printer in an upright position.
- Avoid severe jarring movements.

Shipping the printer

When shipping the printer, use the original packaging or call the place of purchase for a relocation kit.

Administrative support

Finding advanced networking and administrator information

This chapter covers basic administrative support tasks using the Embedded Web Server. For more advanced system support tasks, see the *Networking Guide* on the *Software and Documentation CD* or the *Embedded Web Server Administrator's Guide* on the Lexmark Web site at <http://support.lexmark.com>.

Using the Embedded Web Server

If the printer is installed on a network, then the Embedded Web Server is available for a range of functions including:

- Viewing a virtual display of the printer control panel
- Checking the status of the printer supplies
- Configuring printer settings
- Configuring network settings
- Viewing reports

To access the Embedded Web Server for your printer:

- 1 Type the printer IP address into the address field of your Web browser.

Notes:

- If you do not know the IP address of the printer, then print a network setup page, and then locate the IP address in the TCP/IP section.
- If you are using a proxy server, then temporarily disable it to load the Embedded Web Server correctly.

- 2 Press **Enter**.

Checking the virtual display

- 1 Open an Embedded Web Server associated with your printer.

Type the printer IP address into the address field of your Web browser.

If you do not know the IP address of the printer, you can:

- View the IP address on the printer control panel in the TCP/IP section under the Networks/Ports menu.
- Print a network setup page or the menu settings pages and locate the IP address in the TCP/IP section.

- 2 Check the virtual display that appears in the top left corner of the screen.

The virtual display works as an actual display would work on a printer control panel, showing printer messages.

Checking the status of the printer

- 1 Type the printer IP address into the address field of your Web browser.

If you do not know the IP address of the printer, you can:

- View the IP address on the printer control panel in the TCP/IP section under the Networks/Ports menu.
- Print a network setup page or the menu settings pages and locate the IP address in the TCP/IP section.

2 Click **Device Status**.

The device status shows the following:

- Paper tray settings
- Level of toner in the print cartridge
- Percentage of life remaining in the maintenance kit
- Capacity measurements of certain printer parts

Setting up e-mail alerts

Configure the printer to send you e-mail alerts when the supplies are getting low or when the paper needs to be changed or added, or when there is a paper jam.

1 Type the printer IP address into the address field of your Web browser.

If you do not know the IP address of the printer, you can:

- View the IP address on the printer control panel in the TCP/IP section under the Networks/Ports menu.
- Print a network setup page or the menu settings pages and locate the IP address in the TCP/IP section.

2 Click **Settings**.

3 Under Other Settings, click **E-mail Alert Setup**.

4 Select the items for notification, and type the e-mail addresses.

5 Click **Submit**.

Note: For information on setting up the e-mail server, contact your system support person.

Viewing reports

You can view some reports from the Embedded Web Server. These reports are useful for assessing the status of the printer, the network, and supplies.

To view reports from a network printer:

1 Type the printer IP address into the address field of your Web browser.

If you do not know the IP address of the printer you can:

- View the IP address on the printer control panel in the TCP/IP section under the Networks/Ports menu.
- Print a network setup page or the menu settings pages and locate the IP address in the TCP/IP section.

2 Click **Reports**, and then click the type of report you want to view.

Restoring factory default settings

If you want to retain a list of the current menu settings for reference, then print a menu settings page before restoring the factory default settings.

Warning—Potential Damage: Restoring factory defaults returns most printer settings to the original factory default settings. Exceptions include the display language, custom sizes and messages, and network/port menu settings. All downloads stored in RAM are deleted. Downloads stored in flash memory or on a printer hard disk are not affected.

From the home screen, navigate to:

 > **Settings** > **General Settings** > **Factory Defaults** > **Restore Now** > **Submit**

Clearing jams

By carefully selecting paper and loading it properly, you can avoid most jams. If jams do occur, follow the steps outlined in this section.

To clear a jam message and resume printing, clear the entire paper path, and then touch **Continue, jam cleared**. If Jam Recovery is set to On, then the printer prints a new copy of the page that jammed. If Jam Recovery is set to Auto, then the printer reprints the jammed page if enough printer memory is available.

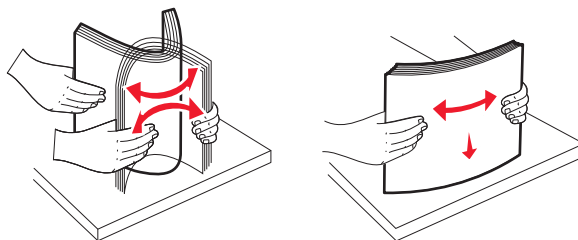
Avoiding jams

Paper tray recommendations

- Make sure the paper lies flat in the tray.
- Do not remove a tray while the printer is printing.
- Do not load a tray while the printer is printing. Load it prior to printing, or wait for a prompt to load it.
- Do not load too much paper. Make sure the stack height does not exceed the indicated maximum height.
- Make sure the guides in the tray or the multipurpose feeder are properly positioned and are not pressing too tightly against the paper or envelopes.
- Push the tray in firmly after loading paper.

Paper recommendations

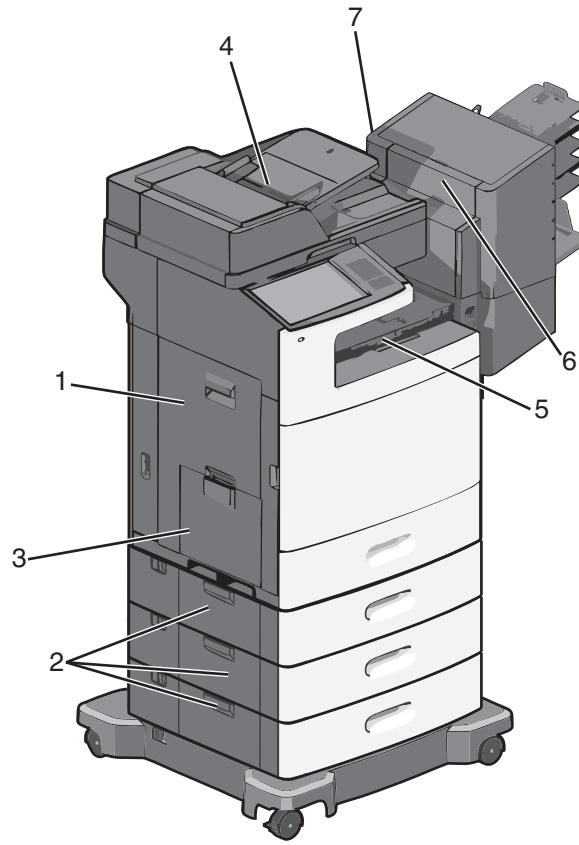
- Use only recommended paper or specialty media.
- Do not load wrinkled, creased, damp, bent, or curled paper.
- Flex and straighten paper before loading it.



- Do not use paper that has been cut or trimmed by hand.
- Do not mix paper sizes, weights, or types in the same stack.
- Make sure all sizes and types are set correctly in the printer control panel menus.
- Store paper per manufacturer recommendations.

Understanding jam numbers and locations


When a jam occurs, a message indicating the jam location appears on the display. Open doors and covers and remove trays to access jam locations. To resolve any paper jam message, you must clear all jammed paper from the paper path.



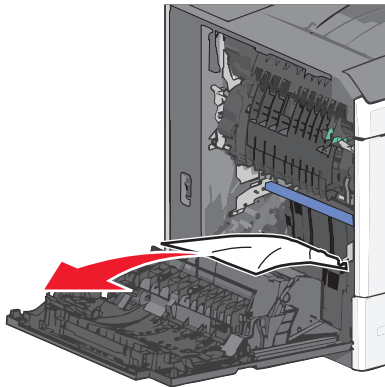
| Area | Jam numbers | What to do |
|------|--------------------|---|
| 1 | 200–239 | Open side door, and then remove the jammed paper. |
| 2 | 24x | Open side door of the specified tray, and then remove the jammed paper. |
| 3 | 250 | Remove all paper from the multipurpose feeder, and then remove the jammed paper. |
| 4 | 280–289 | Remove all paper from the ADF, and then remove the jammed paper. |
| | 290–292 | Close the ADF cover. |
| 5 | 400–403 460–461 | Open the paper transport unit door, and then remove the jammed paper. |
| 6 | 431–438 | Push the button to slide the finisher to the right, open the finisher door, and then remove the jammed paper. |
| 7 | 455 | Open staple door, remove the staple cartridge, and then remove the jammed staple. |

200 paper jam

- 1 Open the side door of the printer.

 **CAUTION—HOT SURFACE:** The inside of the printer might be hot. To reduce the risk of injury from a hot component, allow the surface to cool before touching.

- 2 Firmly grasp the jammed paper, and then gently pull it out.




Note: Make sure all paper fragments are removed.

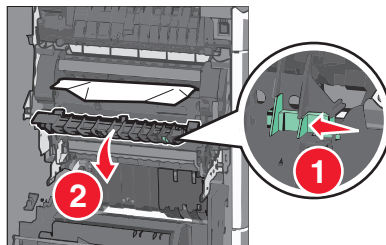
- 3 Close the side door of the printer.
- 4 From the printer control panel, touch **Continue, jam cleared**.

201 paper jam

- 1 Open the side door of the printer.

 **CAUTION—HOT SURFACE:** The inside of the printer might be hot. To reduce the risk of injury from a hot component, allow the surface to cool before touching.

- 2 Determine where the jam is located, and then remove it:
 - a If paper is inside the fuser unit, then open the fuser access door.



- b Firmly grasp the jammed paper on each side, and then gently pull it out.

Warning—Potential Damage: Do not touch the center of the fuser unit. Doing so will damage the fuser.

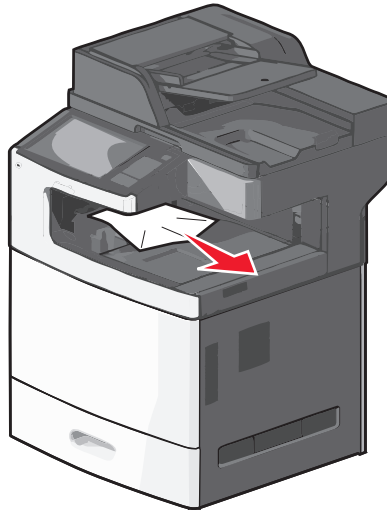
Note: Make sure all paper fragments are removed.

- 3 Close the side door of the printer.
- 4 From the printer control panel, touch **Continue, jam cleared**.

202–203 paper jams

If paper is visible in the standard exit bin, then firmly grasp the paper on each side, and then gently pull it out.

Note: Make sure all paper fragments are removed.



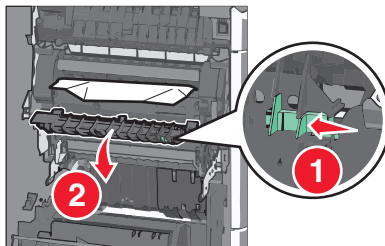
Paper jam in the fuser

- 1 Open the side door of the printer.



CAUTION—HOT SURFACE: The inside of the printer might be hot. To reduce the risk of injury from a hot component, allow the surface to cool before touching.

- 2 If paper is visible inside the fuser unit, then open the fuser access door.



- 3 Firmly grasp the jammed paper on each side, and then gently pull it out.


Warning—Potential Damage: Do not touch the center of the fuser unit. Doing so will damage the fuser.

Note: Make sure all paper fragments are removed.

- 4 Close the side door.

Paper jam under the fuser

- 1 Open the side door of the printer.

 **CAUTION—HOT SURFACE:** The inside of the printer might be hot. To reduce the risk of injury from a hot component, allow the surface to cool before touching.

- 2 If paper is visible under the fuser, then firmly grasp the jammed paper on each side, and then gently pull it out.


Note: Make sure all paper fragments are removed.

- 3 Close the side door of the printer.

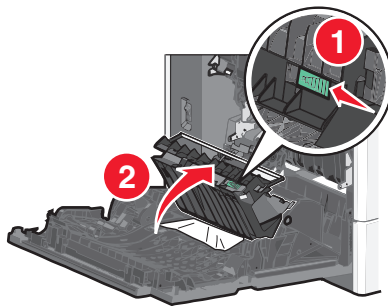
- 4 From the printer control panel, touch **Continue, jam cleared**.

230 paper jam

- 1 Open the side door of the printer.

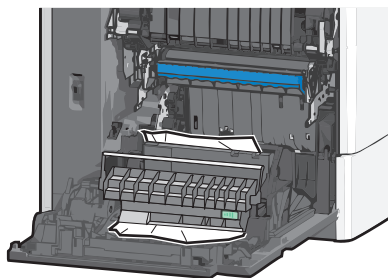
 **CAUTION—HOT SURFACE:** The inside of the printer might be hot. To reduce the risk of injury from a hot component, allow the surface to cool before touching.

- 2 Slide the latch to open the duplex cover.



- 3 Grasp the jammed paper, and then gently pull it out.

Note: Make sure all paper fragments are removed.




- 4 Close the duplex cover.

- 5 Close the side door of the printer.

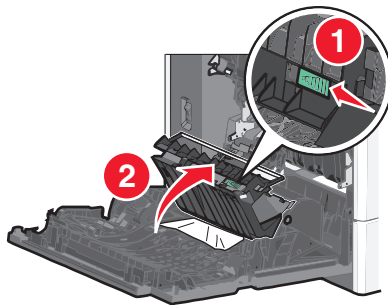
- 6 From the printer control panel, touch **Continue, jam cleared**.

231–239 paper jams

- 1 Open the side door of the printer.

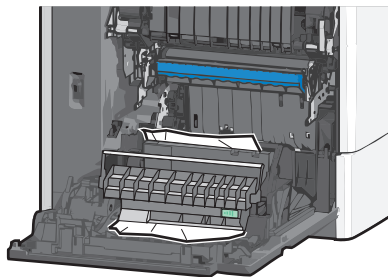
 **CAUTION—HOT SURFACE:** The inside of the printer might be hot. To reduce the risk of injury from a hot component, allow the surface to cool before touching.

- 2 Slide the latch to open the duplex cover.



- 3 Grasp the jammed paper, and then gently pull it out.

Note: Make sure all paper fragments are removed.



- 4 Close the duplex cover.
- 5 Close the side door of the printer.
- 6 From the printer control panel, touch **Continue, jam cleared**.

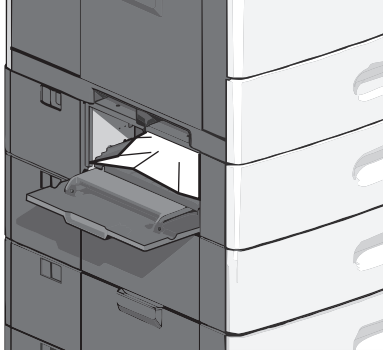
24x paper jam

Paper jam in Tray 1

- 1 Open the side door.
- 2 Grasp the jammed paper on each side, and then gently pull it out.
- 3 Close the side door.
- 4 From the printer control panel, touch **Continue, jam cleared**.

Paper jam in the optional trays

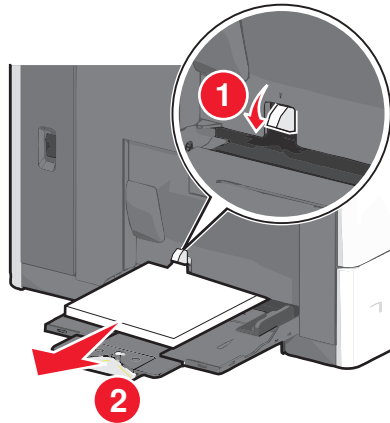
- 1 Open the side door of the specified optional tray.
- 2 Grasp the jammed paper on each side, and then gently pull it out.



- 3 Close the side door.
- 4 From the printer control panel, touch **Continue, jam cleared**.

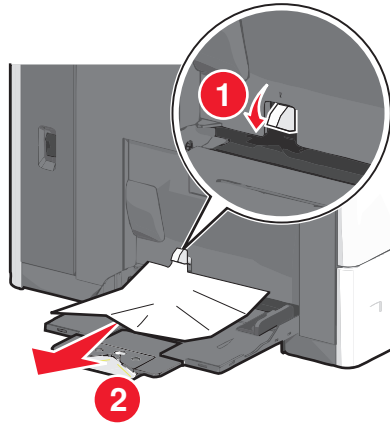
250 paper jam

- 1 Push the paper pick tab, and then remove all paper from the multipurpose feeder.



Warning—Potential Damage: Pulling the paper out, without pushing the paper pick tab first, may cause the paper pick tab to break.

- 2 Grasp the jammed paper on each side, and then gently pull it out.

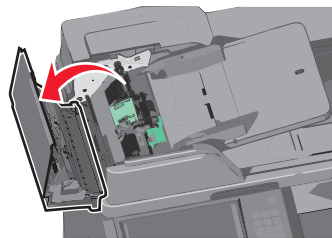


Note: Make sure all paper fragments are removed.

- 3 Reload paper into the multipurpose feeder, and then adjust the paper guides.
- 4 From the printer control panel, touch **Continue, jam cleared**.

280–289 paper jams

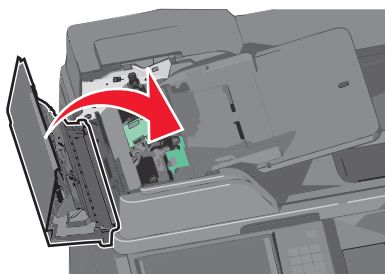
- 1 Remove all original documents from the ADF.
- 2 Open the ADF cover.



- 3 Grasp the jammed paper on each side, and then gently pull it out.

Note: Make sure all paper fragments are removed.

- 4 Close the ADF cover.



- 5 Reload original documents into the ADF, straighten the stack, and then adjust the paper guide.
- 6 From the printer control panel, touch **Continue, jam cleared**.

290–292 paper jams

290 paper jam

Close the ADF cover.

291 paper jam

Close the scanner glass cover.

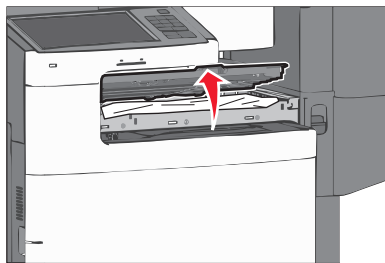
292 paper jam

Try one of more of the following:

- Close the ADF cover.
- Close the scanner cover.
- Contact your system support system person.

400–403 and 460–461 paper jams

- 1 Open the paper transport unit door.



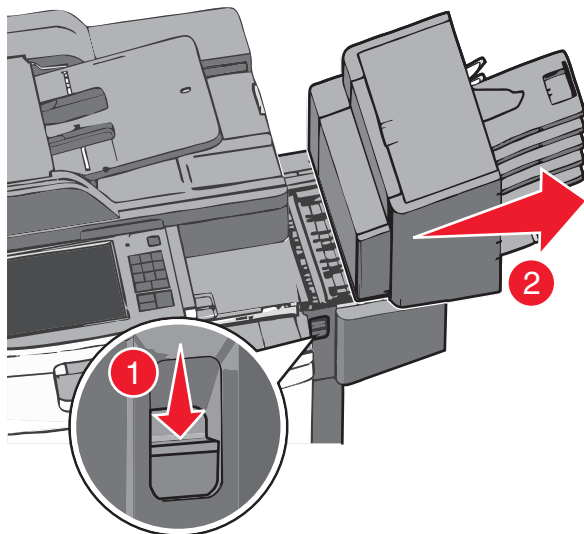
- 2 Firmly grasp the jammed paper, and then gently pull it out.

Note: Make sure all paper fragments are removed.

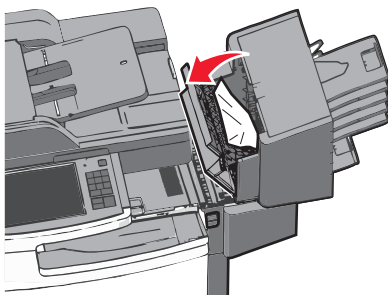
- 3 Close the paper transport unit door.
- 4 From the printer control panel, touch **Continue, jam cleared**.

431–438 paper jams

- 1 Push down the button to slide the output finisher to the right.



- 2 Open the finisher door, and then removed the jammed paper.



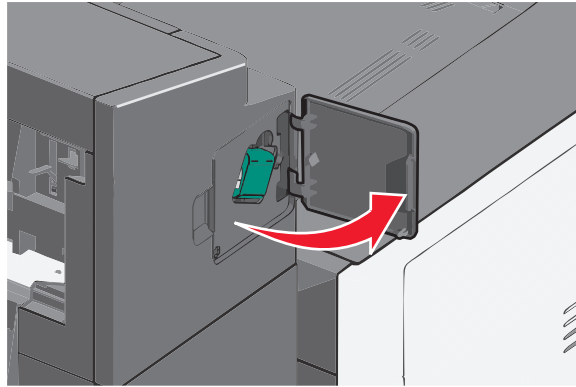
Note: Make sure all paper fragments are removed.

- 3 Close the finisher door.
- 4 Slide the finisher back until it *clicks* in place.
- 5 From the printer control panel, touch **Continue, jam cleared**.

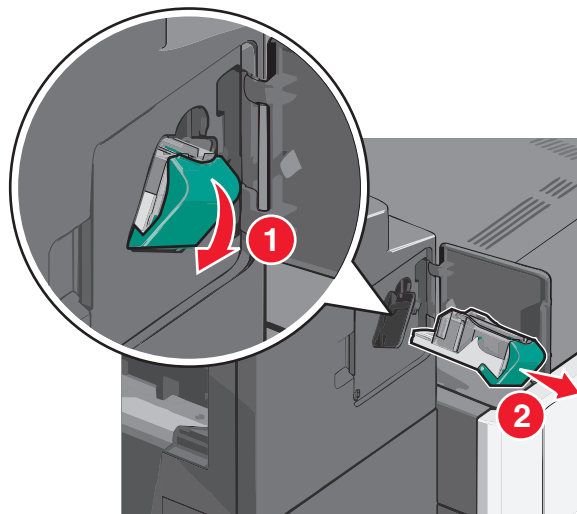
455 staple jam

- 1 Press the latch to open the stapler door.

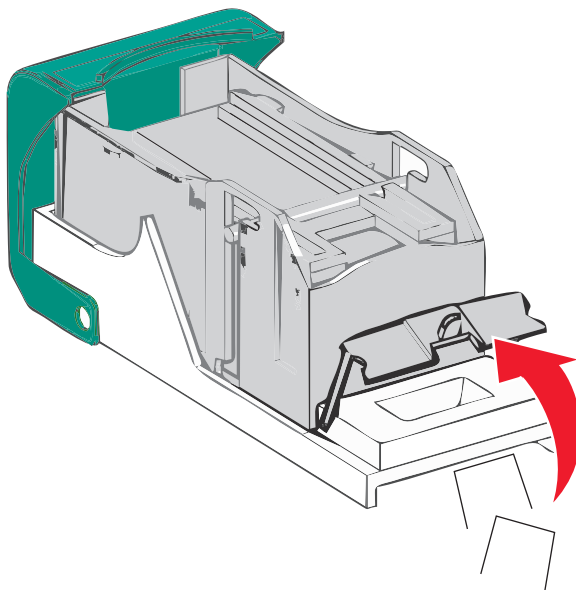
Note: The stapler door is located behind the finisher.



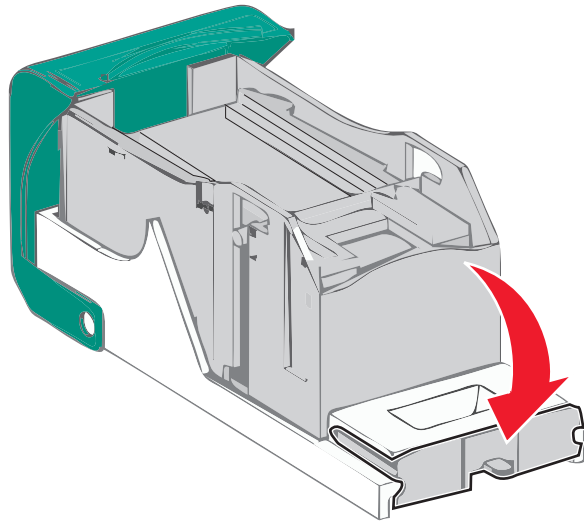
2 Lower the latch of the staple cartridge holder, and then pull the staple cartridge holder out of the printer.



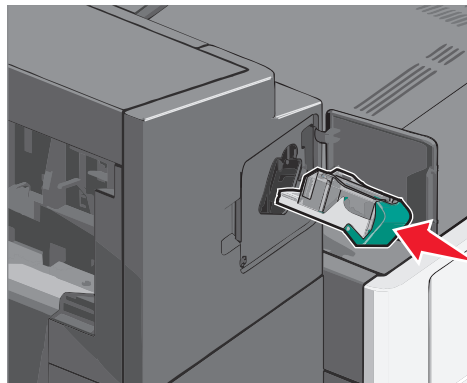
3 Use the metal tab to lift the staple guard, and then remove any jammed or loose staples.



- 4 Close the staple guard.



- 5 Press down on the staple guard until it *clicks* into place.
- 6 Push the staple cartridge holder firmly back into the stapler unit until the staple cartridge holder *clicks* into place.



- 7 Close the stapler door.
- 8 From the printer control panel, touch **Continue, jam cleared**.

Troubleshooting

Solving basic printer problems

If there are basic printer problems, or the printer is unresponsive, make sure:

- The power cord is plugged into the printer and a properly grounded electrical outlet.
- The electrical outlet is not turned off by any switch or breaker.
- The printer is not plugged into any surge protectors, uninterruptible power supplies, or extension cords.
- Other electronic equipment plugged into the outlet is working.
- The printer is turned on. Check the printer power switch.
- The printer cable is securely attached to the printer and the host computer, print server, option, or other network device.
- All options are properly installed.
- The printer driver settings are correct.

Once you have checked each of these possibilities, turn the printer off, wait for about 10 seconds, and then turn the printer back on. This often fixes the problem.

Understanding printer messages

Adjusting color

Wait for the process to complete.

An error has occurred with the USB drive. Please remove and reinsert drive.

Try one or more of the following:

- Remove and reinsert the flash drive.
- If the error message remains, the flash memory may be defective and require replacement.

Change [paper source] to [custom type name]

Try one or more of the following:

- Touch **Use current [paper source]** to ignore the message and print from the selected tray.
- Load the correct paper size and type in the tray, verify the paper size and type settings are specified in the printer control panel Paper menu, and then touch **Paper changed, continue**.
- Touch **Cancel job** to cancel the print job.

Change [paper source] to [custom type name] load [orientation]

Try one or more of the following

- Touch **Use current [paper source]** to ignore the message and print from the selected tray.
- Load the correct paper size and type in the tray, verify the paper size and type settings are specified in the printer control panel Paper menu, and then touch **Paper changed, continue.**
- Touch **Cancel job** to cancel the print job.

Change [paper source] to [custom string]

Try one or more of the following:

- Touch **Use current [paper source]** to ignore the message and print from the selected tray.
- Load the correct paper size and type in the tray, verify the paper size and type settings are specified in the printer control panel Paper menu, and then touch **Paper changed, continue.**
- Touch **Cancel job** to cancel the print job.

Change [paper source] to [custom string] load [orientation]

Try one or more of the following:

- Touch **Use current [paper source]** to ignore the message and print from the selected tray.
- Load the correct paper size and type in the tray, verify the paper size and type settings are specified in the printer control panel Paper menu, and then touch **Paper changed, continue.**
- Touch **Cancel job** to cancel the print job.

Change [paper source] to [paper size] [paper type]

Try one or more of the following:

- Touch **Use current [paper source]** to ignore the message and print from the selected tray.
- Load the correct paper size and type in the tray, verify the paper size and type settings are specified in the printer control panel Paper menu, and then touch **Paper changed, continue.**
- Touch **Cancel job** to cancel the print job.

Change [paper source] to [paper size] [paper type] load [orientation]

Try one or more of the following:

- Touch **Use current [paper source]** to ignore the message and print from the selected tray.
- Load the correct paper size and type in the tray, verify the paper size and type settings are specified in the printer control panel Paper menu, and then touch **Paper changed, continue.**
- Touch **Cancel job** to cancel the print job.

Close paper transport cover

Close the paper transport unit cover or door.

Close left side door

Close the left side door of the printer.

Close [tray] door

Close the specified tray door.

Close finisher side door

Close the side door of the finisher.

Close finisher top cover

Close the top cover of the finisher.

Close front door

Close the front door of the printer.

Close top access cover

Close the specified door or cover.

Disk corrupted

The printer attempted a hard disk recovery on a corrupted hard disk, and the hard disk cannot be repaired. The hard disk must be reformatted.

Touch **Format disk** to reformat the printer hard disk and clear the message.

Note: Formatting deletes all the files stored on the printer hard disk.

Disk near full. Securely clearing disk space.

Try one or more of the following:

- Touch **Continue** to clear the message and continue printing.
- Delete fonts, macros, and other data stored on the printer hard disk.
- Install a hard disk with higher capacity.

Disk problem

The printer hard disk must be reformatted.

Touch **Format disk** to reformat the printer hard disk and clear the message.

Note: Formatting deletes all the files stored on the printer hard disk.

Empty the hole punch box

- 1 Empty the hole punch box.

For instructions on emptying the hole punch box, from the printer control panel touch **More Information**.

- 2 Reinsert the hole punch box into the finisher, and then touch **Continue** to clear the message.

Error reading USB drive. Remove USB.

An unsupported USB device has been inserted. Remove the USB device, and then install a supported one.

Fax partition inoperative. Contact system administrator.

The fax partition appears to be corrupted. Try one or more of the following:

- Touch **Continue** to clear the message.
- Turn the printer off and then back on to reset the printer. If the message appears again, then contact your system support person.

Fax server 'To Format' not set up. Contact system administrator.

The printer is in Fax Server mode, but the Fax Server setup has not been completed.

Try one or more of the following:

- Touch **Continue** to clear the message.
- Complete the Fax Server setup. If the message appears again, contact your system support person.

Fax Station Name not set up

The Fax Station Name has not been entered. Sending and receiving faxes is disabled until fax is configured properly.

Try one or more of the following:

- Touch **Continue** to clear the message.
- Complete the Analog Fax Setup. If the message appears again, contact your system support person.

Fax Station Number not set up

The Fax Station Number has not been entered. Sending and receiving faxes is disabled until fax is configured properly.

Try one or more of the following:

- Touch **Continue** to clear the message.
- Complete the Analog Fax Setup. If the message appears again, contact your system support person.

Install bin [x]

Try one or more of the following:

- Install the specified bin:
 - 1 Turn the printer off.
 - 2 Unplug the power cord from the wall outlet.
 - 3 Install the specified bin.
 - 4 Connect the power cord to a properly grounded electrical outlet.
 - 5 Turn the printer back on.
- Cancel the print job.

Install Tray [x]

Try one or more of the following:

- Install the specified tray:
 - 1 Turn the printer off.
 - 2 Unplug the power cord from the wall outlet.
 - 3 Install the specified tray.
 - 4 Connect the power cord to a properly grounded electrical outlet.
 - 5 Turn the printer back on.
- Cancel the print job.

Insert the hole punch box

Insert the hole punch box into the finisher, and then touch **Continue** to clear the message.

Insert Tray [x]

Insert the specified tray into the printer.

Insert staple cartridge

Try one or more of the following:

- Insert a staple cartridge.
- Touch **Continue** to clear the message and print without using the staple finisher.

Install envelope feeder

Try one or more of the following:

- Install the envelope feeder:
 - 1 Turn the printer off.
 - 2 Unplug the power cord from the wall outlet.
 - 3 Install the envelope feeder.

- 4 Connect the power cord to a properly grounded electrical outlet.
 - 5 Turn the printer back on.
- Cancel the print job.

Load [src] with [custom type name]

Try one or more of the following:

- Load the specified paper in the tray or feeder.
- Touch **Paper loaded, continue** to clear the message and continue printing.

If the printer finds a tray that has the correct paper type and size, it feeds from that tray. If the printer cannot find a tray with the correct paper type and size, it prints from the default paper source.

- Cancel the print job.

Load [src] with [custom string]

Try one or more of the following:

- Load the specified paper in the tray or feeder.
- Touch **Paper loaded, continue** to clear the message and continue printing.

If the printer finds a tray that has the correct paper type and size, it feeds from that tray. If the printer cannot find a tray with the correct paper type and size, it prints from the default paper source.

- Cancel the print job.

Load [src] with [size]

Try one or more of the following:

- Load the specified paper in the tray or feeder.
- Touch **Paper loaded, continue** to clear the message and continue printing.

If the printer finds a tray that has the correct paper type and size, it feeds from that tray. If the printer cannot find a tray with the correct paper type and size, it feeds from the default paper source.

- Cancel the print job.

Load [src] with [type] [size]

Try one or more of the following:

- Load the specified paper in the tray or feeder.
- Touch **Paper loaded, continue** to clear the message and continue printing.

If the printer finds a tray that has the correct paper type and size, it feeds from that tray. If the printer cannot find a tray with the correct paper type and size, it feeds from the default paper source.

- Cancel the print job.

Load Manual Feeder with [custom type name]

Try one or more of the following:

- Load the specified paper in the manual feeder.
- Touch **Prompt each page, paper loaded** or **Do not prompt, paper loaded** to clear the message and continue printing.
- Touch **Automatically select paper** to use the paper loaded in the tray.
- Cancel the print job.

Load Manual Feeder with [custom string]

Try one or more of the following:

- Load the specified paper in the manual feeder.
- Touch **Prompt each page, paper loaded** or **Do not prompt, paper loaded** to clear the message and continue printing.
- Touch **Automatically select paper** to use the paper loaded in the tray.
- Cancel the print job.

Load Manual Feeder with [paper size]

Try one or more of the following:

- Load the specified paper in the manual feeder.
- Touch **Prompt each page, paper loaded** or **Do not prompt, paper loaded** to clear the message and continue printing.
- Touch **Automatically select paper** to use the paper loaded in the tray.
- Cancel the print job.

Load Manual Feeder with [paper type] [paper size]

Try one or more of the following:

- Load the specified paper in the manual feeder.
- Touch **Prompt each page, paper loaded** or **Do not prompt, paper loaded** to clear the message and continue printing.
- Touch **Automatically select paper** to use the paper loaded in the tray.
- Cancel the print job.

Load staples

Try one or more of the following:

- Replace the specified staple cartridge in the finisher.
- Touch **Continue** to clear the message and continue printing.

Note: The print job will be stapled if the staple cartridge is replaced or inserted.

- Touch **Cancel job** to cancel the print job.

Memory full, cannot print faxes

There is not enough memory to print the fax job.

Touch **Continue** to clear the message without printing. Held faxes will attempt to print after the printer has been restarted.

Reattach bin [x]

Try one or more of the following:

- Turn the printer off and then back on.
- Reattach the specified bin:
 - 1 Turn the printer off.
 - 2 Unplug the power cord from the wall outlet.
 - 3 Remove the specified bin.
 - 4 Reattach the bin.
 - 5 Connect the power cord to a properly grounded electrical outlet.
 - 6 Turn the printer back on.
- Remove the specified bin:
 - 1 Turn the printer off.
 - 2 Unplug the power cord from the wall outlet.
 - 3 Remove the specified bin.
 - 4 Contact Customer Support.
- Touch **Continue** to clear the message and print without using the specified bin.

Reattach bin [x] – [y]

Try one or more of the following:

- Turn the printer off and then back on.
- Reattach the specified bins:
 - 1 Turn the printer off.
 - 2 Unplug the power cord from the wall outlet.
 - 3 Remove the specified bins.
 - 4 Reattach the bins.
 - 5 Connect the power cord to a properly grounded electrical outlet.
 - 6 Turn the printer back on.
- Remove the specified bins:
 - 1 Turn the printer off.
 - 2 Unplug the power cord from the wall outlet.
 - 3 Remove the specified bins.
 - 4 Contact Customer Support.
- Touch **Continue** to clear the message and print without using the specified bins.

Remove packaging material, [area name]

Remove any remaining packaging material from the specified location.

Remove paper from standard output bin

Remove the stack of paper from the standard exit bin.

Remove paper from bin [x]

Remove the paper from the specified bin. The printer automatically senses paper removal and resumes printing.

If removing the paper does not clear the message, then touch **Continue**.

Remove paper from all bins

Output bins have reached their capacity. Remove paper from all output bins to clear the message and continue printing.

Remove paper from [linked set bin name]

Remove paper from the specified bin. The printer automatically detects paper removal and resumes printing.

If removing the paper does not clear the message, then touch **Continue**.

Restore held jobs?

Try one or more of the following:

- Touch **Restore** to restore all held jobs stored on the printer hard disk.
- Touch **Do not restore** if you do not want any print jobs to be restored.

Scanner automatic feeder cover open

Close the ADF cover.

Slide finisher to the left

Slide the mailbox or finisher to the left until it *clicks* into place.

Some held jobs were not restored

Touch **Continue** to delete the specified job.

Note: Held jobs that are not restored stay on the hard disk and are inaccessible.

Supply needed to complete job

A supply needed to complete the job is missing. Touch **Cancel** to clear the message.

Tray [x] paper size unsupported

The paper size in the specified tray is unsupported. Replace it with a supported paper size.

Unsupported disk

An unsupported disk has been inserted. Remove the unsupported disk, and then install a supported one.

31.xx Missing or defective [color] cartridge

Try one or more of the following:

- 1 Remove and reinstall the specified print cartridge.
For instructions on removing a print cartridge, touch **More Information**.
- 2 Touch **Continue** to clear the message.
Note: If the message is not cleared, then replace the defective print cartridge.

32.xx [color] cartridge part number unsupported by device

- 1 Remove the unsupported print cartridge, and then install a supported one.
For instructions on removing a print cartridge, touch **More Information**.
- 2 Touch **Continue** to clear the message.

34 Incorrect paper size, open [src]

Try one or more of the following:

- Load the appropriate paper or specialty media in the proper tray.
- Confirm that the wheel on tray 1 is set to the paper size loaded in the tray. Make sure this size is the size you are trying to print.
- Touch **Continue** to clear the message and print using a different tray.
- Check length and width guides of the tray and make sure the paper is properly loaded in the tray.
- Make sure the Print Properties or Print dialog settings have the correct paper size and type.
- Check that the paper size is correctly set. For example, if the MP Feeder Size is set to Universal, make sure the paper is large enough for the data being printed.
- Cancel the print job.

35 Insufficient memory to support Resource Save feature

Try one or more of the following:

- Touch **Continue** to disable Resource Save and continue printing.
- To enable Resource Save after receiving this message, make sure the link buffers are set to Auto, and then exit the menus to activate the link buffer changes. When **Ready** appears, enable Resource Save.
- Install additional memory.

37 Insufficient memory to collate job

Try one or more of the following:

- Touch **Continue** to print the portion of the job already stored and begin collating the rest of the print job.
- Cancel the current print job.

37 Insufficient memory for Flash Memory Defragment operation

Try one or more of the following:

- Touch **Continue** to stop the defragment operation and continue printing.
- Delete fonts, macros, and other data in printer memory.
- Install additional printer memory.

37 Insufficient memory, some Held Jobs were deleted

The printer deleted some held jobs in order to process current jobs.

Touch **Continue** to clear the message.

37 Insufficient memory, some held jobs will not be restored

The printer was unable to restore some or all of the confidential or held jobs on the printer hard disk.

Touch **Continue** to clear the message.

38 Memory full

Try one or more of the following:

- Touch **Continue** to clear the message.
- Cancel the current print job.
- Install additional printer memory.

39 Complex page, some data may not have printed

Try one or more of the following:

- Touch **Continue** to clear the message and continue printing.
- Cancel the current print job.
- Install additional printer memory.

40 [color] invalid refill, change cartridge

Replace the specified cartridge to continue printing.

51 Defective flash detected

Try one or more of the following:

- Touch **Continue** to clear the message and continue printing.
- Cancel the current print job.

52 Not enough free space in flash memory for resources

Try one or more of the following:

- Touch **Continue** to clear the message and continue printing.
Downloaded fonts and macros not previously stored in flash memory are deleted.
- Delete fonts, macros, and other data stored in flash memory.
- Upgrade to a larger capacity flash memory card.

53 Unformatted flash detected

Try one or more of the following:

- Touch **Continue** to stop the defragment operation and continue printing.
- Format the flash memory. If the error message remains, the flash memory may be defective and require replacing.

54 Network [x] software error

Try one or more of the following:

- Touch **Continue** to continue printing.
- Turn the printer off, wait for about 10 seconds, and then turn the printer back on.
- Upgrade (flash) the network firmware in the printer.

54 Serial option [x] error

Try one or more of the following:

- Check that the serial cable is connected properly and is the correct one for the serial port.
- Check that the serial interface parameters (protocol, baud, parity, and data bits) are set correctly on the printer and on the host computer.
- Touch **Continue** to continue printing.
- Turn the printer power off and then back on to reset the printer.

54 Standard network software error

Try one or more of the following:

- Touch **Continue** to continue printing.
- Turn the printer off and then back on to reset the printer.
- Upgrade (flash) the network firmware in the printer or print server.

55 Unsupported option in slot [x]

- 1 Turn the printer off.
- 2 Unplug the power cord from the wall outlet.
- 3 Remove the unsupported option card from the printer system board, and then replace it with a supported card.
- 4 Connect the power cord to a properly grounded electrical outlet.
- 5 Turn the printer back on.

56 Parallel port [x] disabled

Try one or more of the following:

- Touch **Continue** to clear the message.
The printer discards any data received through the parallel port.
- Make sure the Parallel Buffer menu item is not set to Disabled.

56 Serial port [x] disabled

Try one or more of the following:

- Touch **Continue** to clear the message.
The printer discards any data received through the serial port.
- Make sure the Serial Buffer menu is not set to Disabled.

56 Standard USB port disabled

Try one or more of the following:

- Touch **Continue** to clear the message.
The printer discards any data received through the USB port.
- Make sure the USB Buffer menu item is not set to Disabled.

56 Standard parallel port disabled

Try one or more of the following:

- Touch **Continue** to clear the message.
The printer discards any data received through the parallel port.
- Make sure the Parallel Buffer menu item is not set to Disabled.

56 USB port [x] disabled

Try one or more of the following:

- Touch **Continue** to clear the message.
The printer discards any data received through the USB port.
- Make sure the USB Buffer menu is not set to Disabled.

57 Configuration change, some held jobs were not restored

Something has changed in the printer to invalidate the held jobs. Possible changes include:

- The printer firmware has been updated.
- Paper input options needed for the print job were removed.
- The print job was created using data from a device in the USB port and the device is no longer in the USB port.
- The printer hard disk contains print jobs that were stored while installed in a different printer model.

Touch **Continue** to clear the message.

58 Too many bins attached

- 1 Turn the printer off.
- 2 Unplug the power cord from the wall outlet.
- 3 Remove the additional bins.
- 4 Connect the power cord to a properly grounded electrical outlet.
- 5 Turn the printer back on.

58 Too many disks installed

- 1 Turn the printer off.
- 2 Unplug the power cord from the wall outlet.
- 3 Remove the excess disks.
- 4 Connect the power cord to a properly grounded electrical outlet.
- 5 Turn the printer back on.

58 Too many flash options installed

- 1 Turn the printer off.
- 2 Unplug the power cord from the wall outlet.
- 3 Remove the excess flash memory.
- 4 Connect the power cord to a properly grounded outlet.
- 5 Turn the printer back on.

58 Too many trays attached

- 1 Turn the printer off.
- 2 Unplug the power cord from the wall outlet.
- 3 Remove the additional trays.

- 4 Connect the power cord to a properly grounded outlet.
- 5 Turn the printer back on.

58 Input config error

- 1 Turn the printer off.
- 2 Unplug the power cord from the wall outlet.
- 3 Check if all tray configurations are correct. Remove unnecessary trays if needed.
- 4 Connect the power cord to a properly grounded electrical outlet.
- 5 Turn the printer back on.

59 Incompatible output bin [x]

Try one or more of the following:

- Remove the specified output bin.
- Touch **Continue** to clear the message and continue printing without using the specified output bin.

61 Remove defective disk

Try one or more of the following:

- Remove the defective printer hard disk.
- Install a different printer hard disk before performing any operations that require a printer hard disk.

62 Disk full

Try one or more of the following:

- Touch **Continue** to clear the message and continue processing.
- Delete fonts, macros, and other data stored on the printer hard disk.
- Install a printer hard disk with larger capacity.

80.xx Fuser near life warning

- 1 Order a replacement fuser immediately.
- 2 When print quality is reduced, install the new fuser, following the instruction sheet that came with the replacement part.
- 3 Touch **Continue** to clear the message and continue printing.

80.xx Fuser life warning

- Order a replacement fuser immediately. When print quality is reduced, install the new fuser, following the instruction sheet that came with the replacement part.
- Touch **Continue** to clear the message and continue printing.

80.xx Replace fuser

Replace the fuser using the instruction sheet that came with the replacement part.

80.xx Fuser missing

- 1 Replace the fuser, following the instruction sheet that came with the replacement part.
- 2 Touch **Continue** to clear the message and continue printing.

82.xx Replace waste toner bottle

- 1 Replace the waste toner bottle.
For instructions on replacing the waste toner bottle, from the printer control panel touch **More Information**.
- 2 Touch **Continue** to clear the message and continue printing.

82.xx Waste toner bottle missing

Reinsert the waste toner bottle into the printer.

82.xx Waste toner bottle nearly full

Order a replacement waste toner bottle immediately.

- 1 Replace the waste toner bottle.
For instructions on installing the waste toner bottle, from the printer control panel touch **More Information**.
- 2 Touch **Continue** to clear the message and continue printing.

83.xx Replace transfer module

Replace the transfer module, following the instruction sheet that came with the replacement part.

83.xx Transfer module life warning

- 1 Replace the transfer module, following the instruction sheet that came with the replacement part.
- 2 Touch **Continue** to clear the message and continue printing.

83.xx Transfer module missing

Insert the transfer module into the printer.

88.xx [color] cartridge nearly low

Order a replacement for the specified print cartridge.

88.xx [color] cartridge low

- 1 Remove the specified cartridge.

Warning—Potential Damage: Be careful not to touch the photoconductor drum. Doing so may affect the print quality of future print jobs.

- 2 Firmly shake the cartridge side-to-side and front-to-back several times to redistribute the toner.
- 3 Reinsert the cartridge, and then touch **Continue** to clear the message and continue printing.

Notes:

- Repeat this procedure multiple times until the print remains faded. When the print remains faded, replace the cartridge.
- Have a new cartridge available when the current one no longer prints satisfactorily.

88.xx [Color] cartridge very low

The specified print cartridge is very low.

- 1 For instructions on replacing a print cartridge, from the printer control panel touch **More Information**.
- 2 Touch **Continue** to clear the message and continue printing.

88.xx [Color] cartridge critically low

The specified print cartridge is critically low.

- 1 For instructions on replacing a print cartridge, from the printer control panel touch **More Information**.
- 2 Touch **Continue** to clear the message and continue printing.

840.01 Scanner disabled by admin

Print without the scanner or contact your system support person.

840.02 Scanner disabled. Contact system administrator if problem persists.

The printer identified a problem with the scanner and automatically disabled it. Try one or more of the following:

- 1 Remove all pages from the ADF.
- 2 Turn the printer off.
- 3 Wait for 15 seconds, and then turn the printer on.

Note: If turning the printer off and then on again does not clear the message, then touch **Continue with scanner disabled** to return to the home screen, and then contact your system support person.

- 4 Place the document in the ADF, and then adjust the paper guides.
- 5 From the home screen, touch **Copy**, or use the keypad to enter the number of copies.
- 6 Change the copy settings as needed.
- 7 Touch **Copy It**.

1565 Emulation error, load emulation option

The printer automatically clears the message in 30 seconds and then disables the download emulator on the firmware card.

To fix this, download the correct download emulator version from the Lexmark Web site at www.lexmark.com.

Solving printing problems

Multiple-language PDF files do not print

The PDF files may contain unavailable fonts.

- 1 Open the document you want to print in Adobe Acrobat.
- 2 Click the printer icon > **Advanced** > **Print as image** > **OK** > **OK**.

Printer control panel display is blank or displays only diamonds

The printer self test failed. Turn the printer off, wait about 10 seconds, and then turn the printer on.

If **Ready** does not appear, then turn the printer off and contact Customer Support.

Error message about reading USB drive appears

Make sure the flash drive is supported.

Print jobs do not print

Try one or more of the following:

MAKE SURE THERE IS NO PROBLEM WITH YOUR PRINTER

From the printer control panel, check the status. If necessary, follow the recovery instructions.

MAKE SURE THE PRINTER IS READY TO PRINT

Make sure **Ready** appears on the display before sending a print job.

CHECK IF A SUPPLY IS MISSING OR NEEDS REPLACEMENT

Remove and then reinstall or replace the supply.

CHECK IF THE STANDARD EXIT BIN IS FULL

Remove the paper stack from the standard exit bin.

CHECK IF THE PAPER TRAY IS EMPTY

Load paper in the tray.

MAKE SURE THE CORRECT PRINTER SOFTWARE IS INSTALLED

- Verify that you are using the correct printer software.
- If the printer is connected to your computer through a USB port, then make sure you are running a supported operating system and using a compatible printer software.

MAKE SURE THE INTERNAL PRINT SERVER IS WORKING PROPERLY

- Make sure the internal print server is properly installed and that the printer is connected to the network.
- Print a network setup page and check that the status shows **Connected**. If the status is **Not Connected**, then check the network cables, and then try printing the network setup page again. Contact your system support person to make sure the network is functioning correctly.

The printer software is available on the Lexmark Web site at <http://support.lexmark.com>.

MAKE SURE YOU ARE USING A RECOMMENDED USB, SERIAL, OR ETHERNET CABLE

For more information, visit the Lexmark Web site at <http://support.lexmark.com>.

MAKE SURE PRINTER CABLES ARE SECURELY CONNECTED

Check the cable connections to the printer and print server to make sure they are secure.

For more information, see the setup documentation that came with the printer.

Confidential and other held jobs do not print

These are possible solutions. Try one or more of the following:

PARTIAL JOB, NO JOB, OR BLANK PAGE PRINTS

The print job may contain a formatting error or invalid data.

- Delete the print job, and then print it again.
- For PDF documents, recreate the PDF and then print it again.

If you are printing from the Internet, then the printer may be reading multiple job titles as duplicates and deleting all jobs except the first one.

- For Windows users, open Print Properties. From the Print and Hold dialog, select the "Keep duplicate documents" check box under the User name text box before entering a PIN number.
- For Macintosh users, save each print job, naming each job differently, and then send the individual jobs to the printer.

MAKE SURE THE PRINTER HAS SUFFICIENT MEMORY

Free up additional printer memory by scrolling through the list of held jobs and deleting some of them.

Print job takes longer than expected

Try one or more of the following:

REDUCE THE COMPLEXITY OF THE PRINT JOB

Eliminate the number and size of fonts, the number and complexity of images, and the number of pages in the print job.

TURN OFF THE PAGE PROTECT SETTING

From the home screen, navigate to:

 > Settings > General Settings > Print Recovery > Page Protect > Off > 

CHANGE THE ENVIRONMENTAL SETTINGS

When using Eco-Mode or Quiet Mode settings, you may notice a reduction in performance.

Job prints from the wrong tray or on the wrong paper

CHECK THE PAPER TYPE SETTING

Make sure the paper type setting matches the paper loaded in the tray:

- 1 From the printer control panel Paper menu, check the Paper Type setting.
- 2 Before sending the job to print, specify the correct type setting:
 - For Windows users, specify the type from Print Properties.
 - For Macintosh users, specify the type from the Print dialog.

Incorrect characters print

- Make sure the printer is not in Hex Trace mode. If **Ready Hex** appears on the display, you must exit Hex Trace mode before you can print your job. Turn the printer off and back on to exit Hex Trace mode.
- Make sure the SmartSwitch settings are set to On in the Network and USB menus.

Tray linking does not work

These are possible solutions. Try one or more of the following:

LOAD THE SAME SIZE AND TYPE OF PAPER

- Load the same size and type of paper in each tray to be linked.
- Move the paper guides to the correct positions for the paper size loaded in each tray.

USE THE SAME PAPER SIZE AND PAPER TYPE SETTINGS

- Print a menu settings page and compare the settings for each tray.
- If necessary, adjust the settings from the Paper Size/Type menu.

Note: The standard 550-sheet tray and the multipurpose feeder do not automatically sense the paper size. You must set the size from the Paper Size/Type menu.

Large jobs do not collate

These are possible solutions. Try one or more of the following:

MAKE SURE COLLATE IS SET TO ON

From the Finishing menu or Print Properties, set Collate to On.

Note: Setting Collate to Off in the software overrides the setting in the Finishing menu.

REDUCE THE COMPLEXITY OF THE PRINT JOB


Reduce the complexity of the print job by eliminating the number and size of fonts, the number and complexity of images, and the number of pages in the job.

MAKE SURE THE PRINTER HAS ENOUGH MEMORY

Add printer memory or an optional hard disk.

Unexpected page breaks occur

INCREASE THE PRINT TIMEOUT VALUE

- 1 From the home screen, navigate to:
 > **Settings** > **General Settings** > **Timeouts**
- 2 Touch the left or right arrow next to **Print Timeout** until the desired value appears.
- 3 Touch **Submit**.

Solving copy problems

Copier does not respond

These are possible solutions. Try one or more of the following:

CHECK THE DISPLAY FOR ERROR MESSAGES

Clear any error messages.

CHECK THE POWER

Make sure the printer is plugged in, the power is on, and **Ready** appears.

Scanner unit does not close

Make sure there are no obstructions:

- 1 Lift the scanner unit.
- 2 Remove any obstruction keeping the scanner unit open.
- 3 Lower the scanner unit.

Poor copy quality

These are some examples of poor copy quality:

- Blank pages
- Checkerboard pattern
- Distorted graphics or pictures
- Missing characters
- Faded print
- Dark print
- Skewed lines
- Smudges
- Streaks
- Unexpected characters
- White lines in print

Try one or more of the following:

CLEAR ANY ERROR MESSAGES

Check the display and clear any error messages.

REPLACE THE TONER OR PRINT CARTRIDGE

When the print remains faded, replace the toner or print cartridge.

CLEAN THE SCANNER GLASS

The scanner glass may be dirty. Clean the scanner glass with a clean, lint-free cloth dampened with water.

For more information, see “Cleaning the scanner glass” on page 233.

ADJUST THE TONER DARKNESS OF THE COPY

Adjust the toner darkness from the Copy menus.

MAKE SURE THE QUALITY OF THE ORIGINAL DOCUMENT IS SATISFACTORY

Check the quality of the original document.

PLACE THE ORIGINAL DOCUMENT PROPERLY



Make sure the document or photo is loaded facedown on the scanner glass in the upper left corner.

MAKE SURE TO USE THE APPROPRIATE COPY SETTINGS

When patterns (moiré) appear in the output:

- On the Copy screen make sure the Content Type and Source settings are appropriate for the document being scanned.
- From the Copy screen, navigate to:
Advanced Options > Advanced Imaging > Sharpness > lower the Sharpness setting
- On the Copy screen, make sure no scaling is being selected.

When the text is light or disappearing:

- From the Copy screen, navigate to:
Content > Text >  > select the appropriate source for the original document being copied > 
- From the Copy screen, navigate to:
Advanced Options > Advanced Imaging > Sharpness > increase the current setting
- From the Copy screen, navigate to:
Advanced Options > Advanced Imaging > Background removal, and then reduce the current setting
- From the Copy screen, navigate to:
Advanced Options > Advanced Imaging > Contrast > increase the current setting
- From the Copy screen, navigate to:
Advanced Options > Advanced Imaging > Shadow detail > reduce the current setting

When the output appears washed out or overexposed:

- On the Copy screen make sure the Content Type and Source settings are appropriate for the document being scanned.
- From the Copy screen, adjust the Darkness setting.
- From the Copy screen, navigate to:
Advanced Options > Advanced Imaging > Shadow detail > reduce the current setting
- From the Copy screen, navigate to:
Advanced Options > Advanced Imaging > Background removal > reduce the current setting

Partial document or photo copies

These are possible solutions. Try one or more of the following:

CHECK THE DOCUMENT PLACEMENT

Make sure the document or photo is loaded facedown on the scanner glass in the upper left corner.

CHECK THE PAPER SIZE SETTING

Make sure the paper size setting matches the paper loaded in the tray:

- 1 From the printer control panel, check the Paper Size setting from the Paper menu.
- 2 Before sending the job to print, specify the correct size setting:
 - For Windows users, specify the size from Print Properties.
 - For Macintosh users, specify the size from the Page Setup dialog.

Solving scanner problems

Checking an unresponsive scanner

If your scanner is not responding, then make sure:

- The printer is turned on.
- The printer cable is securely attached to the printer and the host computer, print server, option, or other network device.
- The power cord is plugged into the printer and a properly grounded electrical outlet.
- The electrical outlet is not turned off by any switch or breaker.
- The printer is not plugged into any surge protectors, uninterruptible power supplies, or extension cords.
- Other electrical equipment plugged into the outlet is working.

Once you have checked each of these possibilities, turn the printer off and then back on. This often fixes the problem with the scanner.

Scan was not successful

These are possible solutions. Try one or more of the following:

CHECK THE CABLE CONNECTIONS

Make sure the network or USB cable is securely connected to the computer and the printer.

AN ERROR MAY HAVE OCCURRED IN THE PROGRAM

Turn off and then restart the computer.

Scanning takes too long or freezes the computer

These are possible solutions. Try one or more of the following:

OTHER SOFTWARE PROGRAMS MAY BE INTERFERING WITH SCANNING

Close all programs not being used.

THE SCAN RESOLUTION MAY BE SET TOO HIGH

Select a lower scan resolution.

Poor scanned image quality

These are possible solutions. Try one or more of the following:

CHECK THE DISPLAY FOR ERROR MESSAGES

Clear any error messages.

THE SCANNER GLASS MAY BE DIRTY

Clean the scanner glass with a clean, lint-free cloth dampened with water. For more information, see “Cleaning the scanner glass” on page 233.

ADJUST THE SCAN RESOLUTION

Increase the resolution of the scan for a higher quality output.

CHECK THE QUALITY OF THE ORIGINAL DOCUMENT

Make sure the quality of the original document is satisfactory.

CHECK THE DOCUMENT PLACEMENT

Make sure the document or photo is loaded facedown on the scanner glass in the upper left corner.

Partial document or photo scans

These are possible solutions. Try one or more of the following:

CHECK THE DOCUMENT PLACEMENT

Make sure the document or photo is loaded facedown on the scanner glass in the upper left corner.

CHECK THE PAPER SIZE SETTING

Make sure the paper size setting matches the paper loaded in the tray:

- 1** From the printer control panel, check the Paper Size setting from the Paper menu.
- 2** Before sending the job to print, specify the correct size setting:
 - For Windows users, specify the size from Print Properties.
 - For Macintosh users, specify the size from the Page Setup dialog.

Cannot scan from a computer

These are possible solutions. Try one or more of the following:

CHECK THE DISPLAY FOR ERROR MESSAGES

Clear any error messages.

CHECK THE POWER

Make sure the printer is plugged in, the power is on, and **Ready** appears.

CHECK THE CABLE CONNECTIONS

Make sure the network or USB cable is securely connected to the computer and the printer.

Solving fax problems

Fax and e-mail functions are not set up

The indicator light blinks red until you set up fax and e-mail. To set up fax and e-mail, follow these steps:

Note: Before completing these instructions for a printer on a network, make sure the fax cables are connected.

1 From the home screen, navigate to:

 > **General Settings** > **Run initial setup** > **Yes** > **Submit**

2 Turn the printer off, and then turn it back on.

3 From the printer control panel, touch your language.

4 Touch your country or region, and then touch **Continue**.

5 Select your time zone, and then touch **Continue**.

6 Touch **Fax** and **E-mail** to clear the icons, and then touch **Continue**.

Note: You can use these same steps to disable fax and e-mail.

Caller ID is not shown

Contact your telecommunications company to verify that your telephone line is subscribed to the caller ID service.

If your region supports multiple caller ID patterns, you may have to change the default setting. There are two settings available: FSK (pattern 1) and DTMF (pattern 2). The availability of these settings by way of the Fax menu depends on whether your country or region supports multiple caller ID patterns. Contact your telecommunications company to determine which pattern or switch setting to use.

Cannot send or receive a fax

These are possible solutions. Try one or more of the following:

CHECK THE DISPLAY FOR ERROR MESSAGES

Clear any error messages.

CHECK THE POWER

Make sure the printer is plugged in, the power is on, and **Ready** appears.

CHECK THE PRINTER CONNECTIONS

Make sure the cable connections for the following hardware are secure, if applicable:

- Telephone
- Handset
- Answering machine

CHECK THE TELEPHONE WALL JACK

- 1 Plug a telephone into the wall jack.
- 2 Listen for a dial tone.
- 3 If you do not hear a dial tone, then plug a different telephone into the wall jack.
- 4 If you still do not hear a dial tone, then plug a telephone into a different wall jack.
- 5 If you hear a dial tone, then connect the printer to that wall jack.

REVIEW THIS DIGITAL PHONE SERVICE CHECKLIST

The fax modem is an analog device. Certain devices can be connected to the printer so that digital telephone services can be used.

- If you are using an ISDN telephone service, then connect the printer to an analog telephone port (an R-interface port) on an ISDN terminal adapter. For more information and to request an R-interface port, contact your ISDN provider.
- If you are using DSL, then connect to a DSL filter or router that will support analog use. For more information, contact your DSL provider.
- If you are using a PBX telephone service, then make sure you are connecting to an analog connection on the PBX. If none exists, consider installing an analog telephone line for the fax machine.

CHECK FOR A DIAL TONE

- Place a test call to the telephone number to which you want to send a fax to make sure that it is working correctly.
- If the telephone line is being used by another device, then wait until the other device is finished before sending a fax.
- If you are using the On Hook Dial feature, then turn up the volume to verify a dial tone.

TEMPORARILY DISCONNECT OTHER EQUIPMENT

To ensure the printer is working correctly, connect it directly to the telephone line. Disconnect any answering machines, computers with modems, or telephone line splitters.

CHECK FOR JAMS

Clear any jams, and then make sure that **Ready** appears.

TEMPORARILY DISABLE CALL WAITING

Call Waiting can disrupt fax transmissions. Disable this feature before sending or receiving a fax. Call your telephone company to obtain the keypad sequence for temporarily disabling Call Waiting.

VOICE MAIL SERVICE MAY BE INTERFERING WITH THE FAX TRANSMISSION

Voice Mail offered through your local telephone company may disrupt fax transmissions. To enable both Voice Mail and the printer to answer calls, you may want to consider adding a second telephone line for the printer.

THE PRINTER MEMORY MAY BE FULL

- 1 Dial the fax number.
- 2 Scan the original document one page at a time.

Can send but not receive faxes

Try one or more of the following:

LOAD PAPER

If the tray is empty, then load paper in the tray or feeder.

CHECK THE RING COUNT DELAY SETTINGS

The ring count delay sets the number of times the phone rings before the printer answers. If you have extension phones on the same line as the printer, or subscribe to the telephone company's Distinctive Ring service, then keep the Ring Delay setting at 4.

- 1 Type the printer IP address in the address field of your Web browser.
If you do not know the IP address of the printer, then you can:
 - View the IP address on the printer control panel in the TCP/IP section under the Networks/Ports menu.
 - Print a network setup page or the menu settings pages and locate the IP address in the TCP/IP section.
- 2 Click **Settings > Fax Settings > Analog Fax Setup**.
- 3 In the Rings to Answer field, enter the number of times you want the phone to ring before the printer answers.
- 4 Click **Submit**.

REPLACE THE TONER OR PRINT CARTRIDGE

Replace the toner or print cartridge.

Can receive but not send faxes

These are possible solutions. Try one or more of the following:

THE PRINTER IS NOT IN FAX MODE

On the home screen, touch **Fax** to put the printer in Fax mode.

THE DOCUMENT IS NOT LOADED PROPERLY

Load the original document faceup, short edge first into the ADF or facedown on the scanner glass in the upper left corner.

Note: Do not load postcards, photos, small items, transparencies, photo paper, or thin media (such as magazine clippings) into the ADF. Place these items on the scanner glass.

MAKE SURE THE SHORTCUT NUMBER IS SET UP PROPERLY

- Check to make sure the shortcut number has been programmed for the number that you want to dial.
- As an alternative, dial the telephone number manually.

Received fax has poor print quality

Try one or more of the following:

RESEND THE DOCUMENT

Ask the person who sent you the fax to:

- Check that the quality of the original document is satisfactory.
- Resend the fax. There may have been a problem with the quality of the telephone line connection.
- Increase the fax scan resolution, if possible.

REPLACE THE CARTRIDGE

When **88 Cartridge low** appears or when the prints appear faded, replace the cartridge.

MAKE SURE THE FAX TRANSMISSION SPEED IS NOT SET TOO HIGH

Decrease the incoming fax transmission speed:

- 1 Type the printer IP address in the address field of your Web browser.

Note: If you do not know the IP address of the printer, then print a network setup page and locate the IP address in the TCP/IP section.

- 2 Click **Settings > Fax Settings > Analog Fax Setup**.

3 In the Max Speed box, click one of the following:

2400

4800

9600

14400

33600

4 Click **Submit**.

Solving home screen applications problems

An application error has occurred

CHECK THE SYSTEM LOG FOR RELEVANT DETAILS

1 Type the printer IP address or host name in the address field of your Web browser.

If you do not know the IP address or host name of the printer, then you can:

- View the information on the printer control panel home screen, or in the TCP/IP section under the Networks/Ports menu.
- Print a network setup page or menu settings page and locate the information in the TCP/IP section.

2 Click **Settings** or **Configuration**.

3 Click **Device Solutions** > **Solutions (eSF)** > **System** tab > **Log**.

4 From the Filter menu, select an application status.

5 From the Application menu, select an application, and then click **Submit**.

MAKE SURE THE FILE NAME YOU WANT TO SCAN TO IS NOT ALREADY IN USE

Verify that the file to which you want to scan is not open by another application or user.

To help prevent errors, make sure either “Append time stamp” or “Overwrite existing file” is selected in the destination configuration settings.

ADJUST THE SCAN SETTINGS

In the destination configuration settings, lower the scan settings. For example, lower the scan resolution, disable Color, or change the Content type to Text.

CONTACT CUSTOMER SUPPORT

If you still cannot isolate the problem, then contact customer support.

Solving option problems

Option does not operate correctly or quits after it is installed

Try one or more of the following:

RESET THE PRINTER

Turn the printer off, wait for about 10 seconds, and then turn the printer on.

CHECK TO SEE IF THE OPTION IS CONNECTED TO THE PRINTER

- 1 Turn the printer off using the power switch.
- 2 Unplug the power cord from the wall outlet, and then from the printer.
- 3 Check the connection between the option and the printer.

MAKE SURE THE OPTION IS INSTALLED CORRECTLY

Print a menu settings page and check to see if the option is listed in the Installed Options list. If the option is not listed, then reinstall it. For more information, see the hardware setup documentation that came with the option, or go to www.lexmark.com to view the option instruction sheet.

MAKE SURE THE OPTION IS SELECTED

From the computer you are printing from, select the option.

For more information, see “Updating available options in the printer driver” on page 49.

Paper tray problems

Try one or more of the following:

MAKE SURE THE PAPER IS LOADED CORRECTLY

- 1 Open the paper tray.
- 2 Check for paper jams or misfeeds.
- 3 Make sure the paper guides are aligned against the edges of the paper.
- 4 Make sure the paper tray closes properly.

RESET THE PRINTER

Turn the printer off, wait about 10 seconds, and then turn the printer on.

MAKE SURE THE PAPER TRAY IS INSTALLED CORRECTLY

If the paper tray is listed on the menu settings page, but paper jams when it enters or exits the tray, then it may not be properly installed. Reinstall the paper tray. For more information, see the hardware setup documentation that came with the paper tray, or go to <http://support.lexmark.com> to view the paper tray instruction sheet.

2,000-sheet drawer problems

CHECK THE DRAWER CONNECTION

Make sure the 2,000-sheet drawer is properly connected to the printer.

LOAD PAPER

If the tray is empty, then load paper in the tray or feeder

CLEAR ANY JAMS

Open the side door of the tray or feeder, and then remove any jammed paper.

AVOID PAPER JAMS

- Flex the paper.
- Make sure the drawer is properly installed.
- Make sure paper is loaded correctly.
- Make sure the paper stack you load does not exceed the maximum stack height indicated in the tray.
- Make sure the paper or specialty media meets specifications and is not damaged.
- Make sure the guides are positioned correctly for the paper size loaded.

Cannot detect flash memory card

Make sure the flash memory card is securely connected to the printer system board.

Cannot detect printer hard disk

Make sure the printer hard disk is securely connected to the printer system board.

Internal Solutions Port does not operate correctly

Try one or more of the following:

CHECK THE INTERNAL SOLUTIONS PORT (ISP) CONNECTIONS

Make sure the ISP is securely connected to the printer system board.

CHECK THE CABLE

Make sure you are using the correct cable and that it is securely connected to the Internal Solutions (ISP) port.

MAKE SURE THE NETWORK SOFTWARE IS CONFIGURED CORRECTLY

For information on installing the network printing software, see the *Networking Guide* on the *Software and Documentation* CD.

Internal print server does not operate correctly

Try one or more of the following:

CHECK THE PRINT SERVER CONNECTIONS

- Make sure the internal print server is attached securely to the printer system board.
- Make sure you are using the correct cable and that it is securely connected.

MAKE SURE THE NETWORK SOFTWARE IS CONFIGURED CORRECTLY

For more information on installing the network printing software, do the following:

- 1 Open the *Software and Documentation* CD.
- 2 Click **Additional**.
- 3 Under Publications on this CD, select **Networking Guide**.

Memory card

Make sure the memory card is securely connected to the printer system board.

USB/parallel interface card does not operate correctly

CHECK THE USB/PARALLEL INTERFACE CARD CONNECTION

Make sure the USB/parallel interface card is securely connected to the printer system board.

CHECK THE CABLE

Make sure you are using the correct cable and that it is securely connected.

Solving paper feed problems

Paper frequently jams

These are possible solutions. Try one or more of the following:

CHECK THE PAPER

Use recommended paper and specialty media. For more information, see the chapter about paper and specialty media guidelines.

MAKE SURE THERE IS NOT TOO MUCH PAPER IN THE PAPER TRAY

Make sure the stack of paper you load does not exceed the maximum stack height indicated in the tray or on the multipurpose feeder.

CHECK THE PAPER GUIDES

Move the guides in the tray to the correct positions for the paper size loaded.

THE PAPER MAY HAVE ABSORBED MOISTURE DUE TO HIGH HUMIDITY

- Load paper from a fresh package.
- Store paper in its original wrapper until you use it.


Paper jam message remains after jam is cleared

CHECK THE PAPER PATH

The paper path is not clear. Clear jammed paper from the entire paper path, and then touch **Continue**.

Jammed pages are not reprinted

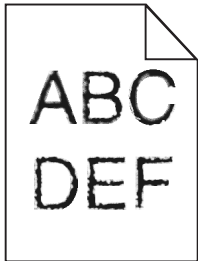
TURN ON JAM RECOVERY

- 1 From the home screen, navigate to:
 > **Settings** > **General Settings** > **Print Recovery**
- 2 Touch the arrows next to **Jam Recovery** until **On** or **Auto** appears.
- 3 Touch **Submit**.

Solving print quality problems

If these suggestions do not correct the problem, then contact customer support. You may have a printer part that requires adjustment or replacement.

Characters have jagged or uneven edges



If you are using downloaded fonts, verify that the fonts are supported by the printer, the host computer, and the software program.

Clipped images

Try one or more of the following:

CHECK THE GUIDES

Move the width and length guides in the tray to the correct positions for the paper size loaded.

CHECK THE PAPER SIZE SETTING

Make sure the paper size setting matches the paper loaded in the tray:

- 1 From the printer control panel Paper menu, check the Paper Size setting.
- 2 Before sending the job to print, specify the correct size setting:
 - For Windows users, specify the size from Print Properties.
 - For Macintosh users, specify the size from the Page Setup dialog.

Fine horizontal lines appear on color pages

You may notice fine, horizontal lines in photographs or pages with a high concentration of color. This can occur when the printer is in Quiet Mode. To fix this, set Quiet Mode to **Off (Image/Photo)**.

Shadow images appear on prints



Try one or more of the following:

CHECK THE PAPER TYPE AND WEIGHT SETTINGS

Make sure the paper type and weight settings match the paper loaded in the tray or feeder:

- 1 From the printer control panel Paper menu, check the Paper Type and Paper Weight settings.
- 2 Before sending the print job, specify the correct paper type setting:
 - For Windows users, specify the paper type from Print Properties.
 - For Macintosh users, specify the paper type from the Print dialog.

MAKE SURE THE PRINT CARTRIDGE IS NOT LOW ON TONER

When **88.xx [color] cartridge low** appears, make sure that toner is distributed evenly among all four print cartridges or whichever color has the shadow images.

- 1 Remove the print cartridge.

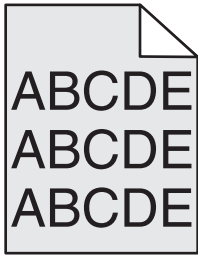
Warning—Potential Damage: Be careful not to touch the photoconductor drum. Doing so may affect the print quality of future print jobs.

- 2 Firmly shake the cartridge side-to-side and front-to-back several times to redistribute the toner.
- 3 Reinsert the print cartridge.

Note: If print quality does not improve, replace the print cartridge of the color that is giving a shadow.

If the problem continues, the printer may need to be serviced. For more information, contact customer support.

Gray background on prints



CHECK THE BACKGROUND DARKNESS OR REMOVAL SETTING

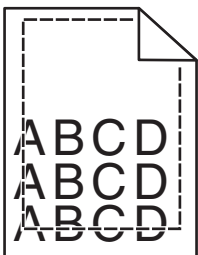
Try one or more of the following:

- Adjust the darkness to a lighter setting.
- Increase the background removal setting.

MAKE SURE THERE IS NO WORN OR DEFECTIVE PRINT CARTRIDGE

Replace the worn or defective print cartridge.

Incorrect margins



These are possible solutions. Try one or more of the following:

CHECK THE PAPER GUIDES

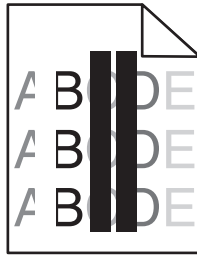
Move the guides in the tray to the correct positions for the paper size loaded.

CHECK THE PAPER SIZE SETTING

Make sure the paper size setting matches the paper loaded in the tray:

- 1 From the printer control panel Paper menu, check the Paper Size setting.
- 2 Before sending the job to print, specify the correct size setting:
 - For Windows users, specify the size from Print Properties.
 - For Macintosh users, specify the size from the Page Setup dialog.

Light colored line, white line, or incorrectly colored line appears on prints



Try one or more of the following:

MAKE SURE THERE IS NO DEFECTIVE PRINT CARTRIDGE

Replace the defective print cartridge.

MAKE SURE THE TRANSFER BELT IS NOT DEFECTIVE

Replace the defective transfer belt. For more information, see the instruction sheet that came with the replacement part.

Paper curl

Try one or more of the following:

CHECK THE PAPER TYPE AND WEIGHT SETTINGS

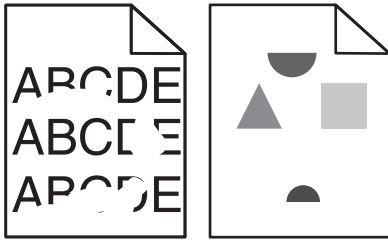
Make sure the paper type and weight settings match the paper loaded in the tray or feeder:

- 1 From the printer control panel Paper menu, check the Paper Type and Paper Weight settings.
- 2 Before sending the print job, specify the correct paper type setting:
 - For Windows users, specify the paper type from Print Properties.
 - For Macintosh users, specify the paper type from the Print dialog.

LOAD PAPER FROM A FRESH PACKAGE

Paper absorbs moisture due to high humidity. Store paper in its original wrapper until you use it.

Print irregularities



Try one or more of the following:

LOAD PAPER FROM A FRESH PACKAGE

The paper may have absorbed moisture due to high humidity. Store paper in its original wrapper until you use it.

CHECK THE PAPER TYPE AND WEIGHT SETTINGS

Make sure the paper type and weight settings match the paper loaded in the tray or feeder:

- 1 From the printer control panel Paper menu, check the Paper Type and Paper Weight settings.
- 2 Before sending the print job, specify the correct paper type setting:
 - For Windows users, specify the paper type from Print Properties.
 - For Macintosh users, specify the paper type from the Print dialog.

AVOID TEXTURED PAPER WITH ROUGH FINISHES

MAKE SURE THERE IS NO DEFECTIVE PRINT CARTRIDGE

Replace the worn or defective print cartridge.

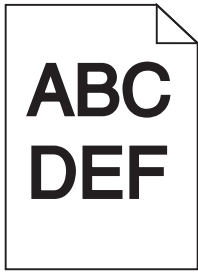
MAKE SURE THE TRANSFER BELT IS NOT DEFECTIVE

Replace the defective transfer belt. For more information, see the instruction sheet that came with the replacement part.

MAKE SURE THE FUSER IS NOT DEFECTIVE

Replace the defective fuser. For more information, see the instruction sheet that came with the replacement part.

Print is too dark



Try one or more of the following:

LOAD PAPER FROM A FRESH PACKAGE

The paper may have absorbed moisture due to high humidity. Store paper in its original wrapper until you use it.

AVOID TEXTURED PAPER WITH ROUGH FINISHES

CHECK THE PAPER TYPE SETTING

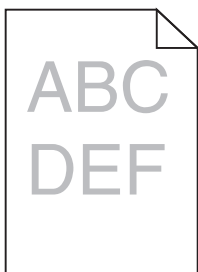
Make sure the Paper Type setting matches the paper loaded in the tray or feeder:

- From the printer control panel Paper menu, check the Paper Type setting.
- For Windows users, check this setting from Print Properties.
- For Macintosh users, check this setting from the Print dialog.

MAKE SURE THERE IS NO DEFECTIVE PRINT CARTRIDGE

Replace the defective print cartridge.

Print is too light



Try one or more of the following:

LOAD PAPER FROM A FRESH PACKAGE

The paper may have absorbed moisture from high humidity. Store paper in its original wrapper until you use it.

AVOID TEXTURED PAPER WITH ROUGH FINISHES

CHECK THE PAPER TYPE SETTING

Make sure the Paper Type setting matches the paper loaded in the tray or feeder:

- From the printer control panel Paper menu, check the Paper Type setting.
- For Windows users, check this setting from Print Properties.
- For Macintosh users, check this setting from the Print dialog.

MAKE SURE THE PRINT CARTRIDGE IS NOT LOW ON TONER

When **88.xx [color] cartridge low** appears, make sure the toner is distributed evenly within the print cartridge.

1 Remove the print cartridge.

Warning—Potential Damage: Be careful not to touch the photoconductor drum. Doing so may affect the print quality of future print jobs.

2 Firmly shake the cartridge side-to-side and front-to-back several times to redistribute the toner.

3 Reinsert the print cartridge.

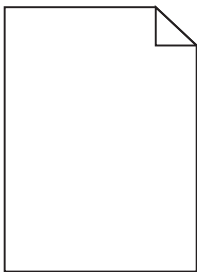
Note: If print quality does not improve, then replace the print cartridge.

If the problem continues, then the printer may need to be serviced. For more information, contact customer support.

MAKE SURE THERE IS NO DEFECTIVE PRINT CARTRIDGE

Replace the defective print cartridge.

Printer is printing blank pages



Try one or more of the following:

MAKE SURE THERE IS NO PACKING MATERIAL LEFT ON THE TONER OR PRINT CARTRIDGE

Remove the cartridge and make sure the packing material is properly removed. Reinstall the cartridge.

MAKE SURE THE TONER OR PRINT CARTRIDGE IS NOT LOW ON TONER

When **88.xx [color] cartridge low** appears, make sure that toner is distributed evenly among all four cartridges:

1 Remove the cartridge.

Warning—Potential Damage: Be careful not to touch the photoconductor drum. Doing so may affect the print quality of future print jobs.

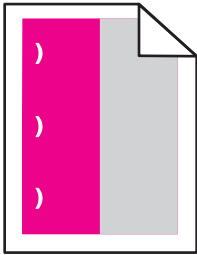
2 Firmly shake the cartridge side-to-side and front-to-back several times to redistribute the toner.

3 Reinsert the cartridge.

Note: If print quality does not improve, then replace the cartridge of the color that is not printing.

If the problem continues, then the printer may need to be serviced. For more information, contact customer support.

Repeating defects appear on prints



Try one or more of the following:

REPLACE THE PRINT CARTRIDGE

Replace the print cartridge of the color with the repeating defect, if the print defects occur in the following instances:

- in every 37.7 mm (1.48 in.) of the page
- in every 41.6 mm (1.64 in.) of the page
- in every 42.7 mm (1.68 in.) of the page
- in every 94.3 mm (3.71 in.) of the page

REPLACE THE FUSER

Replace the fuser if print defects occur in the following instances:

- in every 95.0 mm (3.74 in.) of the page
- in every 146.7 mm (5.78 in.) of the page

Skewed print

These are possible solutions. Try one or more of the following:

CHECK THE PAPER GUIDES

Move the length and width guides in the tray to the correct positions for the paper size loaded.

- Make sure the guides are not too far from the paper stack.
- Make sure the guides are not pressing too lightly against the paper stack.

CHECK THE PAPER

Make sure you are using paper that meets the printer specifications.

Solid color or black pages appear on prints



MAKE SURE THE PRINT CARTRIDGES ARE INSTALLED CORRECTLY, ARE NOT DEFECTIVE AND NOT LOW ON TONER

- Remove the print cartridges.

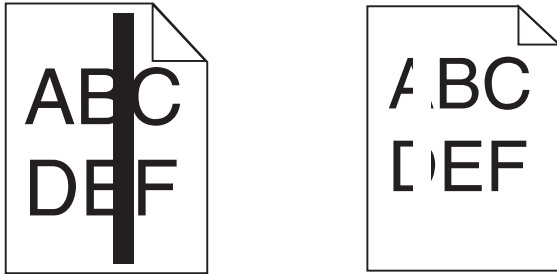
Warning—Potential Damage: Be careful not to touch the photoconductor drum. Doing so may affect the print quality of future print jobs.

- Reinsert the print cartridges.

Note: If the quality does not improve, replace the print cartridges.

- If the problem continues, the printer may need to be serviced. For more information, contact customer support.

Black or white streaks appear on transparencies or paper



Try one or more of the following:

ENSURE THAT THE FILL PATTERN IS CORRECT

If the fill pattern is incorrect, choose a different fill pattern from your software program.

CHECK THE PAPER TYPE

- Use only the recommended transparencies.
- Ensure that the Paper Type setting matches what is loaded in the tray or feeder.
- Ensure that the Paper Texture setting is correct for the type of paper or specialty media loaded in the tray or feeder.

MAKE SURE THE PRINT CARTRIDGE IS NOT LOW ON TONER

When **88.xx [color] cartridge low** appears, make sure the toner is distributed evenly within the print cartridge:

1 Remove the print cartridge.

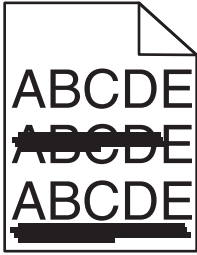
Warning—Potential Damage: Be careful not to touch the photoconductor drum. Doing so may affect the print quality of future print jobs.

2 Firmly shake the cartridge side-to-side and front-to-back several times to redistribute the toner.

3 Reinsert the print cartridge.

If the problem continues, the printer may need to be serviced. For more information, contact Customer Support.

Streaked horizontal lines appear on prints



Try one or more of the following:

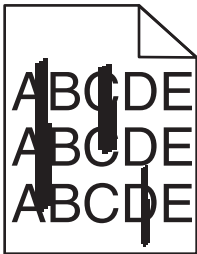
SELECT ANOTHER TRAY OR FEEDER

- From the printer control panel Paper Menu, select Default Source.
- For Windows users, select the paper source from Print Properties.
- For Macintosh users, select the paper source from the Print dialog and pop-up menus.

MAKE SURE THERE IS NO WORN, DEFECTIVE, OR EMPTY PRINT CARTRIDGE

Replace the worn, defective, or empty print cartridge.

Streaked vertical lines



These are possible solutions. Try one or more of the following:

THE TONER IS SMEARED

Select another tray or feeder to feed paper for the job:

- From the printer control panel, select the Default Source from the Paper Menu.
- For Windows users, select the paper source from Print Properties.
- For Macintosh users, select the paper source from the Print dialog and pop-up menus.

A TONER CARTRIDGE IS DEFECTIVE

Replace the defective toner cartridge.

THE TRANSFER MODULE IS WORN OR DEFECTIVE

Replace the transfer module.

Toner fog or background shading appears on a page

Try one or more of the following:

MAKE SURE PRINT CARTRIDGES ARE INSTALLED CORRECTLY AND ARE NOT DEFECTIVE

Reinstall or replace the print cartridge.

MAKE SURE THE TRANSFER BELT IS NOT WORN OR DEFECTIVE

Replace the transfer belt. For more information, see the instruction sheet that came with the replacement part.

MAKE SURE THE FUSER IS NOT WORN OR DEFECTIVE

Replace the fuser. For more information, see the instruction sheet that came with the replacement part.

MAKE SURE THERE IS NO TONER IN THE PAPER PATH

Clean any visible toner from the paper path. If the problem persists, then contact customer support.

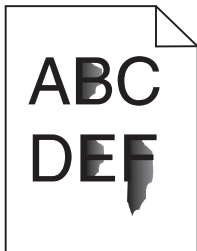
RECALIBRATE THE PRINTER

Perform color adjust from the printer control panel Quality menu.

CHECK THE SOFTWARE PROGRAM OR APPLICATION

The software program or application may have specified an off-white background.

Toner rubs off



These are possible solutions. Try one or more of the following:

CHECK THE PAPER TYPE SETTING

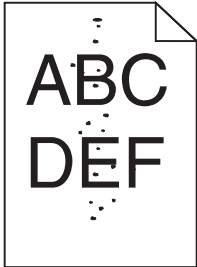
Make sure the paper type setting matches the paper loaded in the tray.

CHECK THE PAPER WEIGHT AND PAPER TEXTURE SETTINGS

Change the Paper Weight from Normal to Heavy. If necessary, change the Paper Texture from Normal to Rough in the printer control panel Paper menu.

THE FUSER IS WORN OR DEFECTIVE

Replace the fuser.

Toner specks

These are possible solutions. Try one or more of the following:

THE TONER CARTRIDGES ARE WORN OR DEFECTIVE

Replace the defective or worn cartridges.

THERE IS TONER IN THE PAPER PATH

Contact Customer Support.

Transparency print quality is poor

Try one or more of the following:

CHECK THE TRANSPARENCIES

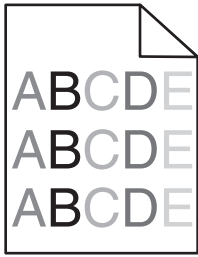
Use only transparencies that meet the printer specifications.

CHECK THE PAPER TYPE SETTING

Make sure the paper type setting is set to Transparency:

- 1** From the printer control panel Paper menu, check the Paper Type setting.
- 2** Before sending the job to print, specify the correct type setting:
 - For Windows users, specify the type from Print Properties.
 - For Macintosh users, specify the type from the Print dialog.

Uneven print density



MAKE SURE THERE IS NO DEFECTIVE OR WORN PRINT CARTRIDGE

Replace the worn or defective print cartridge.

Solving color quality problems

FAQ about color printing

What is RGB color?

Red, green, and blue light can be added together in various amounts to produce a large range of colors observed in nature. For example, red and green can be combined to create yellow. Televisions and computer monitors create colors in this manner. RGB color is a method of describing colors by indicating the amount of red, green, or blue needed to produce a certain color.

What is CMYK color?

Cyan, magenta, yellow, and black inks or toners can be printed in various amounts to produce a large range of colors observed in nature. For example, cyan and yellow can be combined to create green. Printing presses, inkjet printers, and color laser printers create colors in this manner. CMYK color is a method of describing colors by indicating the amount of cyan, magenta, yellow, and black needed to reproduce a particular color.

How is color specified in a document to be printed?

Software programs typically specify document color using RGB or CMYK color combinations. Additionally, they allow users to modify the color of each object in a document. For more information, see the software program Help topics.

How does the printer know what color to print?

When a user prints a document, information describing the type and color of each object is sent to the printer. The color information is passed through color conversion tables that translate the color into the appropriate amounts of cyan, magenta, yellow, and black toner needed to produce the desired color. The object information determines the application of color conversion tables. For example, it is possible to apply one type of color conversion table to text while applying a different color conversion table to photographic images.

Why doesn't the printed color match the color I see on the computer screen?

The color conversion tables used in Auto Color Correction mode generally approximate the colors of a standard computer monitor. However, because of technology differences that exist between printers and monitors, there are many colors that can also be affected by monitor variations and lighting conditions. For recommendations on how the printer color sample pages may be useful in solving certain color-matching problems, see the question, "How can I match a particular color (such as a corporate logo)?"

The printed page appears tinted. Can I adjust the color?

Sometimes a printed page may appear tinted (for example, everything printed seems to be too red). This can be caused by environmental conditions, paper type, lighting conditions, or user preference. In these instances, adjust the Color Balance setting to create a more preferable color. Color Balance provides the user with the ability to make subtle adjustments to the amount of toner being used in each color plane. Selecting positive or negative values for cyan, magenta, yellow, and black (from the Color Balance menu) will slightly increase or decrease the amount of toner used for the chosen color. For example, if a printed page has a red tint, then decreasing both magenta and yellow could potentially improve the color balance.

My color transparencies seem dark when they are projected. Is there anything I can do to improve the color?

This problem most commonly occurs when projecting transparencies with reflective overhead projectors. To obtain the highest projected color quality, transmissive overhead projectors are recommended. If a reflective projector must be used, then adjusting the Toner Darkness setting to 1, 2, or 3 will lighten the transparency. Make sure to print on the recommended type of color transparencies.

What is manual color correction?

When manual color correction is enabled, the printer employs user-selected color conversion tables to process objects. However, Color Correction must be set to Manual, or no user-defined color conversion will be implemented. Manual color correction settings are specific to the type of object being printed (text, graphics, or images), and how the color of the object is specified in the software program (RGB or CMYK combinations).

Notes:

- Manual color correction is not useful if the software program does not specify colors with RGB or CMYK combinations. It is also not effective in situations in which the software program or the computer operating system controls the adjustment of colors.
- The color conversion tables—applied to each object when Color Correction is set to Auto—generate preferred colors for the majority of documents.

To manually apply a different color conversion table:

- 1 From the Quality menu, select **Color Correction**, and then select **Manual**.
- 2 From the Quality menu, select **Manual Color**, and then select the appropriate color conversion table for the affected object type.

Manual Color menu

| Object type | Color conversion tables |
|---------------------------------------|--|
| RGB Image RGB Text RGB Graphics | <ul style="list-style-type: none"> • Vivid—Produces brighter, more saturated colors and may be applied to all incoming color formats. • sRGB Display—Produces an output that approximates the colors displayed on a computer monitor. Black toner usage is optimized for printing photographs. • Display—True Black—Produces an output that approximates the colors displayed on a computer monitor. Uses only black toner to create all levels of neutral gray. • sRGB Vivid—Provides an increased color saturation for the sRGB Display color correction. Black usage is optimized for printing business graphics. • Off—No color correction is implemented. |

| Object type | Color conversion tables |
|--|--|
| CMYK Image CMYK Text CMYK Graphics | <ul style="list-style-type: none"> • US CMYK—Applies color correction to approximate the SWOP (Specifications for Web Offset Publishing) color output. • Euro CMYK—Applies color correction to approximated EuroScale color output. • Vivid CMYK—Increases the color saturation of the US CMYK color correction setting. • Off—No color correction is implemented. |

How can I match a particular color (such as a corporate logo)?

From the printer Quality menu, nine types of Color Samples sets are available. These are also available from the Color Samples page of the Embedded Web Server. Selecting any sample set generates a multiple-page printout consisting of hundreds of colored boxes. Either a CMYK or RGB combination is located on each box, depending on the table selected. The observed color of each box is obtained by passing the CMYK or RGB combination labeled on the box through the selected color conversion table.

By examining Color Samples sets, a user can identify the box whose color is the closest to the desired color. The color combination labeled on the box can then be used for modifying the color of the object in a software program. For more information, see the software program Help topics. Manual color correction may be necessary to utilize the selected color conversion table for the particular object.

Selecting which Color Samples set to use for a particular color-matching problem depends on the Color Correction setting being used (Auto, Off, or Manual), the type of object being printed (text, graphics, or images), and how the color of the object is specified in the software program (RGB or CMYK combinations). When the printer Color Correction setting is set to Off, the color is based on the print job information; and no color conversion is implemented.

Note: The Color Samples pages are not useful if the software program does not specify colors with RGB or CMYK combinations. Additionally, certain situations exist in which the software program or the computer operating system adjusts the RGB or CMYK combinations specified in the program through color management. The resulting printed color may not be an exact match of the Color Samples pages.

What are detailed Color Samples and how do I access them?

Detailed Color Samples sets are available only through the Embedded Web Server of a network printer. A detailed Color Samples set contains a range of shades (displayed as colored boxes) that are similar to a user-defined RGB or CMYK value. The likeness of the colors in the set are dependent on the value entered in the RGB or CMYK Increment box.

To access a detailed Color Samples set from the Embedded Web Server:

- 1 Type the printer IP address or host name in the address field of your Web browser.

Note: If you do not know the IP address or host name of the printer, then you can:

- View the information on the printer control panel home screen, or in the TCP/IP section under the Networks/Ports menu.
- Print a network setup page or menu settings page and locate the information in the TCP/IP section.

- 2 Click **Configuration > Color Samples > Detailed Options**.

- 3 Select a color conversion table.

- 4 Enter the RGB or CMYK color number.

5 Enter an increment value from 1–255.

Note: The closer the value is to 1, the narrower the color sample range will appear.

6 Click **Print**.

Embedded Web Server does not open

Try one or more of the following:

CHECK THE NETWORK CONNECTION

Make sure the printer and computer are turned on and connected to the same network.

CHECK THE ADDRESS ENTERED IN THE WEB BROWSER

- Depending on the network settings, you may need to type “**https://**” instead of “**http://**” before the printer IP address to access the Embedded Web Server. For more information, contact your system support person.
- Make sure printer IP address is correct.

TEMPORARILY DISABLE WEB PROXY SERVERS

Proxy servers may block or restrict you from accessing certain Web sites including the Embedded Web Server. For more information, contact your system support person.

Contacting customer support

When you contact customer support, describe the problem you are experiencing, the printer control panel light sequence, and the troubleshooting steps you have already taken to find a solution.

You need to know your printer model type and serial number. For more information, see the label on the inside top front cover of the printer. The serial number is also listed on the menu settings page.

Lexmark has various ways to help you solve your printing problem. Visit the Lexmark Web site at <http://support.lexmark.com>, and then select one of the following:

| | |
|---------------------|--|
| Tech Library | You can browse our library of manuals, support documentation, drivers, and other downloads to help you solve common problems. |
| E-mail | You can send an e-mail to the Lexmark team, describing your problem. A service representative will respond and provide you with information to solve your problem. |
| Live chat | You can chat directly with a service representative. They can work with you to solve your printer problem or provide assistance through Assisted Service where the service representative can remotely connect to your computer through the Internet to troubleshoot problems, install updates, or complete other tasks to help you successfully use your Lexmark product. |

Telephone support is also available. In the U.S. or Canada, call 1-800-539-6275. For other countries or regions, visit the Lexmark Web site at <http://support.lexmark.com>.

Notices

Product information

Product name:

Lexmark X792de, X792dte, X792dtfe, X792dtpe, X792dtme, X792dtse

Machine type:

7562, 4917

Model(s):

432, 436, dn1, dn2, gd1, gd2, dt1, dt2, gt1, gt2, df1, df2, gf1, gf2, d01, d02, g01, g02, t01, t02, g91, g92, f01, f02, g81, g82

Edition notice

November 2012

The following paragraph does not apply to any country where such provisions are inconsistent with local law:

LEXMARK INTERNATIONAL, INC., PROVIDES THIS PUBLICATION "AS IS" WITHOUT WARRANTY OF ANY KIND, EITHER EXPRESS OR IMPLIED, INCLUDING, BUT NOT LIMITED TO, THE IMPLIED WARRANTIES OF MERCHANTABILITY OR FITNESS FOR A PARTICULAR PURPOSE. Some states do not allow disclaimer of express or implied warranties in certain transactions; therefore, this statement may not apply to you.

This publication could include technical inaccuracies or typographical errors. Changes are periodically made to the information herein; these changes will be incorporated in later editions. Improvements or changes in the products or the programs described may be made at any time.

References in this publication to products, programs, or services do not imply that the manufacturer intends to make these available in all countries in which it operates. Any reference to a product, program, or service is not intended to state or imply that only that product, program, or service may be used. Any functionally equivalent product, program, or service that does not infringe any existing intellectual property right may be used instead. Evaluation and verification of operation in conjunction with other products, programs, or services, except those expressly designated by the manufacturer, are the user's responsibility.

For Lexmark technical support, visit <http://support.lexmark.com>.

For information on supplies and downloads, visit www.lexmark.com.

© 2012 Lexmark International, Inc.

All rights reserved.

GOVERNMENT END USERS

The Software Program and any related documentation are "Commercial Items," as that term is defined in 48 C.F.R. 2.101, "Computer Software" and "Commercial Computer Software Documentation," as such terms are used in 48 C.F.R. 12.212 or 48 C.F.R. 227.7202, as applicable. Consistent with 48 C.F.R. 12.212 or 48 C.F.R. 227.7202-1 through 227.7202-4, as applicable, the Commercial Computer Software and Commercial Software Documentation are licensed to the U.S.

Government end users (a) only as Commercial Items and (b) with only those rights as are granted to all other end users pursuant to the terms and conditions herein.

Trademarks

Lexmark, Lexmark with diamond design, MarkNet, and MarkVision are trademarks of Lexmark International, Inc., registered in the United States and/or other countries.

PrintCryption and ScanBack are trademarks of Lexmark International, Inc.

Mac and the Mac logo are trademarks of Apple Inc., registered in the U.S. and other countries.

PCL® is a registered trademark of the Hewlett-Packard Company. PCL is Hewlett-Packard Company’s designation of a set of printer commands (language) and functions included in its printer products. This printer is intended to be compatible with the PCL language. This means the printer recognizes PCL commands used in various application programs, and that the printer emulates the functions corresponding to the commands.

The following terms are trademarks or registered trademarks of these companies:

| | |
|------------------------|--|
| Albertus | The Monotype Corporation plc |
| Antique Olive | Monsieur Marcel OLIVE |
| Apple-Chancery | Apple Computer, Inc. |
| Arial | The Monotype Corporation plc |
| CG Times | Based on Times New Roman under license from The Monotype Corporation plc, is a product of Agfa Corporation |
| Chicago | Apple Computer, Inc. |
| Clarendon | Linotype-Hell AG and/or its subsidiaries |
| Eurostile | Nebiolo |
| Geneva | Apple Computer, Inc. |
| GillSans | The Monotype Corporation plc |
| Helvetica | Linotype-Hell AG and/or its subsidiaries |
| Hoefler | Jonathan Hoefler Type Foundry |
| ITC Avant Garde Gothic | International Typeface Corporation |
| ITC Bookman | International Typeface Corporation |
| ITC Mona Lisa | International Typeface Corporation |
| ITC Zapf Chancery | International Typeface Corporation |
| Joanna | The Monotype Corporation plc |
| Marigold | Arthur Baker |
| Monaco | Apple Computer, Inc. |
| New York | Apple Computer, Inc. |
| Oxford | Arthur Baker |
| Palatino | Linotype-Hell AG and/or its subsidiaries |
| Stempel Garamond | Linotype-Hell AG and/or its subsidiaries |

| | |
|-----------------|--|
| Taffy | Agfa Corporation |
| Times New Roman | The Monotype Corporation plc |
| Univers | Linotype-Hell AG and/or its subsidiaries |

All other trademarks are the property of their respective owners.

AirPrint and the AirPrint logo are trademarks of Apple, Inc.

Federal Communications Commission (FCC) compliance information statement

This product has been tested and found to comply with the limits for a Class A digital device, pursuant to Part 15 of the FCC Rules. Operation is subject to the following two conditions: (1) this device may not cause harmful interference, and (2) this device must accept any interference received, including interference that may cause undesired operation.

The FCC Class A limits are designed to provide reasonable protection against harmful interference when the equipment is operated in a commercial environment. This equipment generates, uses, and can radiate radio frequency energy and, if not installed and used in accordance with the instruction manual, may cause harmful interference to radio communications. Operation of this equipment in a residential area is likely to cause harmful interference, in which case the user will be required to correct the interference at his own expense.

The manufacturer is not responsible for any radio or television interference caused by using other than recommended cables or by unauthorized changes or modifications to this equipment. Unauthorized changes or modifications could void the user's authority to operate this equipment.

Note: To assure compliance with FCC regulations on electromagnetic interference for a Class A computing device, use a properly shielded and grounded cable such as Lexmark part number 1021231 for parallel attach or 1021294 for USB attach. Use of a substitute cable not properly shielded and grounded may result in a violation of FCC regulations.

Modular component notice

This product may contain the following modular component(s):

Lexmark regulatory type/model LEX-M01-003; FCC ID: IYLM01003; IC: 2376A-M01003

Licensing notices

The following documents can be viewed from the installation software CD.

| Directory | File |
|-----------|--|
| CD:\LEGAL | FW_License.pdf mDNS.tar.gz Expat.txt Inst_lib.txt Instgui.txt Instgui.zip |

Noise emission levels

The following measurements were made in accordance with ISO 7779 and reported in conformance with ISO 9296.

Note: Some modes may not apply to your product.

| 1-meter average sound pressure, dBA | |
|-------------------------------------|--------|
| Printing | 53 dBA |
| Ready | 35 dBA |

Values are subject to change. See www.lexmark.com for current values.

Waste from Electrical and Electronic Equipment (WEEE) directive



The WEEE logo signifies specific recycling programs and procedures for electronic products in countries of the European Union. We encourage the recycling of our products.

If you have further questions about recycling options, visit the Lexmark Web site at www.lexmark.com for your local sales office phone number.

Battery notice

This product contains Perchlorate material. Special handling may apply. For more information, go to <http://www.dtsc.ca.gov/hazardouswaste/perchlorate/>.

Static sensitivity notice



This symbol identifies static-sensitive parts. Do not touch in the areas near these symbols without first touching the metal frame of the printer.

ENERGY STAR

Any Lexmark product bearing the ENERGY STAR emblem on the product or on a start-up screen is certified to comply with Environmental Protection Agency (EPA) ENERGY STAR requirements as configured when shipped by Lexmark.



Temperature information

| | |
|----------------------------------|-------------------------------|
| Ambient temperature | 15.6 to 32.2° C (60 to 90° F) |
| Shipping and storage temperature | -40° to 40° C (104° F) |

Laser notice

The printer is certified in the U.S. to conform to the requirements of DHHS 21 CFR Chapter I, Subchapter J for Class I (1) laser products, and elsewhere is certified as a Class I laser product conforming to the requirements of IEC 60825-1.

Class I laser products are not considered to be hazardous. The printer contains internally a Class IIIb (3b) laser that is nominally a 10 milliwatt gallium arsenide laser operating in the wavelength of 787-800 nanometers. The laser system and printer are designed so there is never any human access to laser radiation above a Class I level during normal operation, user maintenance, or prescribed service condition.

Laser advisory label

A laser notice label may be affixed to this printer as shown:

DANGER - Invisible laser radiation when cartridges are removed and interlock defeated. Avoid exposure to laser beam.

PERIGO - Radiação a laser invisível será liberada se os cartuchos forem removidos e o lacre rompido. Evite a exposição aos feixes de laser.

Opasnost - Nevidljivo lasersko zračenje kada su kasete uklonjene i poništena sigurnosna veza. Izbjegavati izlaganje zracima.

NEBEZPEČÍ - Když jsou vyjmuty kazety a je odblokována pojistka, ze zařízení je vysíláno neviditelné laserové záření. Nevystavujte se působení laserového paprsku.

FARE - Usynlig laserstrålning, når patroner fjernes, og spærreanordningen er slået fra. Undgå at blive udsat for laserstrålen.

GEVAAR - Onzichtbare laserstraling wanneer cartridges worden verwijderd en een vergrendeling wordt genegeerd. Voorkom blootstelling aan de laser.

DANGER - Rayonnements laser invisibles lors du retrait des cartouches et du déverrouillage des loquets. Eviter toute exposition au rayon laser.

VAARA - Näkymättöntä lasersäteilyä on varottava, kun värikasetit on poistettu ja lukitus on auki. Vältä lasersäteelle altistumista.

GEFAHR - Unsichtbare Laserstrahlung beim Herausnehmen von Druckkassetten und offener Sicherheitssperre. Laserstrahl meiden.

ΚΙΝΔΥΝΟΣ - Εκκλυση αόρατης ακτινοβολίας laser κατά την αφαίρεση των κασετών και την απασφάλιση της μανδάλωσης. Αποφεύγετε την έκθεση στην ακτινοβολία laser.

VESZÉLY - Nem látható lézersugárzás fordulhat elő a patronok eltávolításakor és a zárószerszerezet felbontásakor. Kerülje a lézersugárnak való kitettséget.

PERICOLO - Emissione di radiazioni laser invisibili durante la rimozione delle cartucce e del blocco. Evitare l'esposizione al raggio laser.

FARE - Usynlig laserstrålning når kassetten tas ut og sperrer er satt ut av spill. Unngå eksponering for laserstrålen.

NIEBEZPIECZENSTWO - niewidzialne promieniowanie laserowe podczas usuwania kaset i blokady. Należy unikać naświetlenia promieniami lasera.

ОПАСНО! Невидимое лазерное излучение при извлеченных картриджах и снятии блокировки. Избегайте воздействия лазерных лучей.

Pozor - Nebezpečnostvo neviditeľného laserového žiarenia pri odobratých kazetách a odblokovanej pojistke. Nevystavujte sa lúčom.

PELIGRO: Se producen radiaciones láser invisibles al extraer los cartuchos con el interbloqueo desactivado. Evite la exposición al haz de láser.

FARA - Osynlig laserstrålning när patroner tas ur och spärrmekanismen är upphävd. Undvik exponering för laserstrålen.

危険 - 当移除碳粉盒及互锁失效时会产生看不见的激光辐射，请避免暴露在激光光束下。

危険 - 移除碳粉匣與安全連續開關失效時會產生看不見的雷射輻射。請避免暴露在雷射光束下。

危険 - カートリッジが取り外され、内部ロックが無効になると、見えないレーザー光が放射されます。このレーザー光に当たらないようにしてください。

Power consumption

Product power consumption

The following table documents the power consumption characteristics of the product.

Note: Some modes may not apply to your product.

| Mode | Description | Power consumption (Watts) |
|------------|--|---------------------------|
| Printing | The product is generating hard-copy output from electronic inputs. | 1000 W |
| Copy | The product is generating hard-copy output from hard-copy original documents. | 1050 W |
| Scan | The product is scanning hard-copy documents. | 115 W |
| Ready | The product is waiting for a print job. | 70 W |
| Sleep Mode | The product is in a high-level energy-saving mode. | 17 W |
| Hibernate | The product is in a low-level energy-saving mode. | 0.75 W |
| Off | The product is plugged into a wall outlet, but the power switch is turned off. | 0 W |

The power consumption levels listed in the previous table represent time-averaged measurements. Instantaneous power draws may be substantially higher than the average.

Values are subject to change. See www.lexmark.com for current values.

Sleep Mode

This product is designed with an energy-saving mode called *Sleep Mode*. The Sleep Mode saves energy by lowering power consumption during extended periods of inactivity. The Sleep Mode is automatically engaged after this product is not used for a specified period of time, called the *Sleep Mode Timeout*.

| | |
|---|----|
| Factory default Sleep Mode Timeout for this product (in minutes): | 30 |
|---|----|

By using the configuration menus, the Sleep Mode Timeout can be modified between 1 minute and 240 minutes. Setting the Sleep Mode Timeout to a low value reduces energy consumption, but may increase the response time of the product. Setting the Sleep Mode Timeout to a high value maintains a fast response, but uses more energy.

Off mode

If this product has an off mode which still consumes a small amount of power, then to completely stop product power consumption, disconnect the power supply cord from the electrical outlet.

Total energy usage

It is sometimes helpful to calculate the total product energy usage. Since power consumption claims are provided in power units of Watts, the power consumption should be multiplied by the time the product spends in each mode in order to calculate energy usage. The total product energy usage is the sum of each mode's energy usage.

Industry Canada compliance statement

This Class A digital apparatus meets all requirements of the Canadian Interference-Causing Equipment Standard ICES-003.

Avis de conformité aux normes de l'industrie du Canada

Cet appareil numérique de classe A est conforme aux exigences de la norme canadienne relative aux équipements pouvant causer des interférences NMB-003.

European Community (EC) directives conformity

This product is in conformity with the protection requirements of EC Council directives 2004/108/EC and 2006/95/EC on the approximation and harmonization of the laws of the Member States relating to electromagnetic compatibility and safety of electrical equipment designed for use within certain voltage limits.

The manufacturer of this product is: Lexmark International, Inc., 740 West New Circle Road, Lexington, KY, 40550 USA. The authorized representative is: Lexmark International Technology Hungária Kft., 8 Lechner Ödön fasor, Millennium Tower III, 1095 Budapest HUNGARY, A declaration of conformity to the requirements of the Directives is available upon request from the Authorized Representative.

This product satisfies the Class A limits of EN 55022 and safety requirements of EN 60950.

Radio interference notice

Warning

This is a product that complies with the emission requirements of EN55022 Class A limits and immunity requirements of EN55024. This product is not intended to be used in residential/domestic environments.

This is a Class A product. In a domestic environment, this product may cause radio interference, in which case the user may be required to take adequate measures.

Notice to users of the US telephone network: FCC requirements

This equipment complies with Part 68 of the FCC rules and the requirements adopted by the Administrative Council for Terminal Attachments (ACTA). On the back of this equipment is a label that contains, among other information, a product identifier in the format US:AAAEQ##TXXXX. If requested, this number must be provided to your telephone company.

This equipment uses the RJ-11C Universal Service Order Code (USOC) jack.

A plug and jack used to connect this equipment to the premises' wiring and telephone network must comply with the applicable FCC Part 68 rules and requirements adopted by the ACTA. A compliant telephone cord and modular plug is provided with this product. It is designed to be connected to a compatible modular jack that is also compliant. See your setup documentation for more information.

The Ringer Equivalence Number (REN) is used to determine the number of devices that may be connected to a telephone line. Excessive RENs on a telephone line may result in the devices not ringing in response to an incoming call. In most but not all areas, the sum of RENs should not exceed five (5.0). To be certain of the number of devices that may be connected to a line, as determined by the total RENs, contact your local telephone company. For products approved

after July 23, 2001, the REN for this product is part of the product identifier that has the format US:AAAEQ##TXXXX. The digits represented by ## are the REN without a decimal point (for example, 03 is a REN of 0.3). For earlier products, the REN is shown separately on the label.

If this equipment causes harm to the telephone network, the telephone company will notify you in advance that temporary discontinuance of service may be required. If advance notice is not practical, the telephone company will notify the customer as soon as possible. You will also be advised of your right to file a complaint with the FCC.

The telephone company may make changes in its facilities, equipment, operations or procedures that could affect the operation of this equipment. If this happens, the telephone company will provide advance notice in order for you to make necessary modifications to maintain uninterrupted service.

If you experience trouble with this equipment, for repair or warranty information, contact Lexmark International, Inc. at www.lexmark.com or your Lexmark representative. If the equipment is causing harm to the telephone network, the telephone company may request that you disconnect the equipment until the problem is resolved.

This equipment contains no user serviceable parts. For repair and warranty information, contact Lexmark International, Inc. See the previous paragraph for contact information.

Connection to party line service is subject to state tariffs. Contact the state public utility commission, public service commission, or corporation commission for information.

If your home has specially wired alarm equipment connected to the telephone line, ensure the installation of this equipment does not disable your alarm equipment. If you have questions about what will disable alarm equipment, consult your telephone company or a qualified installer.

Telephone companies report that electrical surges, typically lightning transients, are very destructive to customer terminal equipment connected to AC power sources. This has been identified as a major nationwide problem. It is recommended that the customer install an appropriate AC surge arrester in the AC outlet to which this device is connected. An appropriate AC surge arrester is defined as one that is suitably rated, and certified by UL (Underwriter's Laboratories), another NRTL (Nationally Recognized Testing Laboratory), or a recognized safety certification body in the country/region of use. This is to avoid damage to the equipment caused by local lightning strikes and other electrical surges.

The Telephone Consumer Protection Act of 1991 makes it unlawful for any person to use a computer or other electronic device, including fax machines, to send any message unless said message clearly contains in a margin at the top or bottom of each transmitted page or on the first page of the transmission, the date and time it is sent and an identification of the business or other entity, or other individual sending the message, and the telephone number of the sending machine or such business, other entity, or individual. (The telephone number provided may not be a 900 number or any other number for which charges exceed local or long-distance transmission charges.)

See your user documentation in order to program this information into your fax machine.

Notice to users of the Canadian telephone network

This product meets the applicable Industry Canada technical specifications. The Ringer Equivalence Number (REN) is an indication of the maximum number of terminals allowed to be connected to a telephone interface. The terminus of an interface may consist of any combination of devices, subject only to the requirement that the sum of the RENs of all the devices does not exceed five. The modem REN is located on the rear of the equipment on the product labeling.

Telephone companies report that electrical surges, typically lightning transients, are very destructive to customer terminal equipment connected to AC power sources. This has been identified as a major nationwide problem. It is recommended that the customer install an appropriate AC surge arrester in the AC outlet to which this device is connected. An appropriate AC surge arrester is defined as one that is suitably rated, and certified by UL (Underwriter's Laboratories), another NRTL (Nationally Recognized Testing Laboratory), or a recognized safety certification body in

the country/region of use. This is to avoid damage to the equipment caused by local lightning strikes and other electrical surges.

This equipment uses CA11A telephone jacks.

Avis réservé aux utilisateurs du réseau téléphonique du Canada

Ce produit est conforme aux spécifications techniques d'Industrie Canada. Le numéro REN (ringer equivalence number : numéro d'équivalence de sonnerie) fournit une indication du nombre maximum de terminaux pouvant être connectés à l'interface téléphonique. En bout de ligne, le nombre d'appareils qui peuvent être connectés n'est pas directement limité, mais la somme des REN de ces appareils ne doit pas dépasser cinq. Le numéro REN du modem est indiqué sur l'étiquette produit située à l'arrière de l'équipement.

Les compagnies de téléphone constatent que les surtensions électriques, en particulier celles dues à la foudre, entraînent d'importants dégâts sur les terminaux privés connectés à des sources d'alimentation CA. Il s'agit-là d'un problème majeur d'échelle nationale. En conséquence, il vous est recommandé de brancher un parasurtenseur dans la prise de courant à laquelle l'équipement est connecté. Utilisez un parasurtenseur répondant à des caractéristiques nominales satisfaisantes et certifié par le laboratoire d'assureurs UL (Underwriter's Laboratories), un autre laboratoire agréé de type NRTL (Nationally Recognized Testing Laboratory) ou un organisme de certification agréé dans votre région ou pays. Ceci prévient tout endommagement de l'équipement causé par les orages et autres surtensions électriques.

Cet équipement utilise des prises de téléphone CA11A.

Notice to users of the New Zealand telephone network

The following are special conditions for the Facsimile User Instructions. The grant of a telepermit for any item of terminal equipment indicates only that Telecom has accepted that the item complies with minimum conditions for connection to its network. It indicates no endorsement of the product by Telecom, nor does it provide any sort of warranty. Above all, it provides no assurance that any item will work correctly in all respects with another item of telepermitted equipment of a different make or model, nor does it imply that any product is compatible with all of Telecom's network services.

This equipment shall not be set up to make automatic calls to the Telecom's 111 Emergency Service.

This equipment may not provide for the effective hand-over of a call to another device connected to the same line.

This equipment should not be used under any circumstances that may constitute a nuisance to other Telecom customers.

Some parameters required for compliance with Telecom's telepermit requirements are dependent on the equipment associated with this device. The associated equipment shall be set to operate within the following limits for compliance to Telecom's specifications:

- There shall be no more than 10 call attempts to the same number within any 30 minute period for any single manual call initiation, and
- The equipment shall go on-hook for a period of not less than 30 seconds between the end of one attempt and the beginning of the next call attempt.
- The equipment shall be set to ensure that automatic calls to different numbers are spaced such that there is not less than 5 seconds between the end of one call attempt and the beginning of another.

South Africa telecommunications notice

This modem must be used in conjunction with an approved surge protection device when connected to the PSTN.

Using this product in Switzerland

This product requires a Swiss billing tone filter (Lexmark part number 14B5109 or 80D1877) to be installed on any line which receives metering pulses in Switzerland. The Lexmark filter must be used, as metering pulses are present on all analog telephone lines in Switzerland.

Utilisation de ce produit en Suisse

Cet appareil nécessite l'utilisation d'un filtre de tonalité de facturation suisse (n° de référence Lexmark : 14B5109 ou 80D1877) devant être installé sur toute ligne recevant des impulsions de comptage en Suisse. Ce filtre doit être utilisé pour toute installation car ces impulsions existent sur toutes les lignes téléphoniques suisses.

Verwendung dieses Produkts in der Schweiz

Für dieses Produkt muss ein schweizerischer Billing Tone Filter zur Zählzeichenübertragung (Lexmark Teilenummer 14B5109 oder 80D1877) für jede Leitung installiert werden, über die in der Schweiz Zeitsteuertakte übertragen werden. Die Verwendung des Lexmark Filters ist obligatorisch, da in allen analogen Telefonleitungen in der Schweiz Zeitsteuertakte vorhanden sind.

Usò del prodotto in Svizzera

Questo prodotto richiede un filtro toni Billing svizzero, (codice Lexmark 14B5109 o 80D1877) da installare su tutte le linee che ricevono impulsi remoti in Svizzera. È necessario utilizzare il filtro Lexmark poiché gli impulsi remoti sono presenti su tutte le linee analogiche in Svizzera.

Notice to Users in the European Union

Products bearing the CE mark are in conformity with the protection requirements of EC Council directives 2004/108/EC, 2006/95/EC, and 1999/5/EC on the approximation and harmonization of the laws of the Member States relating to electromagnetic compatibility, safety of electrical equipment designed for use within certain voltage limits and on radio equipment and telecommunications terminal equipment.

Compliance is indicated by the CE marking.



The manufacturer of this product is: Lexmark International, Inc., 740 West New Circle Road, Lexington, KY, 40550 USA. The authorized representative is: Lexmark International Technology Hungária Kft., 8 Lechner Ödön fasor, Millennium Tower III, 1095 Budapest HUNGARY, A declaration of conformity to the requirements of the Directives is available upon request from the Authorized Representative.

Refer to the table at the end of the Notices section for further compliance information.

Regulatory notices for wireless products

This section contains the following regulatory information pertaining to wireless products that contain transmitters, for example, but not limited to, wireless network cards or proximity card readers.

Exposure to radio frequency radiation

The radiated output power of this device is far below the radio frequency exposure limits of the FCC and other regulatory agencies. A minimum separation of 20 cm (8 inches) must be maintained between the antenna and any persons for this device to satisfy the RF exposure requirements of the FCC and other regulatory agencies.

Industry Canada (Canada)

This device complies with Industry Canada specification RSS-210. Operation is subject to the following two conditions: (1) this device may not cause interference, and (2) this device must accept any interference, including interference that may cause undesired operation of the device.

This device has been designed to operate only with the antenna provided. Use of any other antenna is strictly prohibited per regulations of Industry Canada.

To prevent radio interference to the licensed service, this device is intended to be operated indoors and away from windows to provide maximum shielding. Equipment (or its transmit antenna) that is installed outdoors is subject to licensing.

The installer of this radio equipment must ensure that the antenna is located or pointed such that it does not emit RF fields in excess of Health Canada limits for the general population; consult Safety Code 6, obtainable from Health Canada's Web site www.hc-sc.gc.ca/rpb.

The term "IC:" before the certification/registration number only signifies that the Industry Canada technical specifications were met.

Industry Canada (Canada)

Cet appareil est conforme à la norme RSS-210 d'Industry Canada. Son fonctionnement est soumis aux deux conditions suivantes :

(1) cet appareil ne doit pas provoquer d'interférences et (2) il doit accepter toute interférence reçue, y compris celles risquant d'altérer son fonctionnement.

Cet appareil a été conçu pour fonctionner uniquement avec l'antenne fournie. L'utilisation de toute autre antenne est strictement interdite par la réglementation d'Industry Canada.

En application des réglementations d'Industry Canada, l'utilisation d'une antenne de gain supérieur est strictement interdite.

Pour empêcher toute interférence radio au service faisant l'objet d'une licence, cet appareil doit être utilisé à l'intérieur et loin des fenêtres afin de garantir une protection optimale.

Si le matériel (ou son antenne d'émission) est installé à l'extérieur, il doit faire l'objet d'une licence.

L'installateur de cet équipement radio doit veiller à ce que l'antenne soit implantée et dirigée de manière à n'émettre aucun champ HF dépassant les limites fixées pour l'ensemble de la population par Santé Canada. Reportez-vous au Code de sécurité 6 que vous pouvez consulter sur le site Web de Santé Canada www.hc-sc.gc.ca/rpb.

Le terme « IC » précédant le numéro de d'accréditation/inscription signifie simplement que le produit est conforme aux spécifications techniques d'Industry Canada.

Notice to users in the European Union

This product is in conformity with the protection requirements of EC Council directives 2004/108/EC, 2006/95/EC and 2005/32/EC on the approximation and harmonization of the laws of the Member States relating to electromagnetic compatibility, safety of electrical equipment designed for use within certain voltage limits and the ecodesign of energy-using products.

Compliance is indicated by the CE marking.



The manufacturer of this product is: Lexmark International, Inc., 740 West New Circle Road, Lexington, KY, 40550 USA. The authorized representative is: Lexmark International Technology Hungária Kft., 8 Lechner Ödön fasor, Millennium Tower III, 1095 Budapest HUNGARY, A declaration of conformity to the requirements of the Directives is available upon request from the Authorized Representative.

This product satisfies the Class A limits of EN 55022 and safety requirements of EN 60950.

Products equipped with 2.4GHz Wireless LAN option are in conformity with the protection requirements of EC Council directives 2004/108/EC, 2006/95/EC, and 1999/5/EC on the approximation and harmonization of the laws of the Member States relating to electromagnetic compatibility, safety of electrical equipment designed for use within certain voltage limits and on radio equipment and telecommunications terminal equipment.

Compliance is indicated by the CE marking.



Operation is allowed in all EU and EFTA countries, but is restricted to indoor use only.

The manufacturer of this product is: Lexmark International, Inc., 740 West New Circle Road, Lexington, KY, 40550 USA. The authorized representative is: Lexmark International Technology Hungária Kft., 8 Lechner Ödön fasor, Millennium Tower III, 1095 Budapest HUNGARY, A declaration of conformity to the requirements of the Directives is available upon request from the Authorized Representative.

This product may be used in the countries indicated in the table below.

| | | | | | | | | |
|----|----|----|----|----|----|----|----|----|
| AT | BE | BG | CH | CY | CZ | DE | DK | EE |
| EL | ES | FI | FR | HR | HU | IE | IS | IT |
| LI | LT | LU | LV | MT | NL | NO | PL | PT |
| RO | SE | SI | SK | TR | UK | | | |

| | |
|-------|--|
| Česky | Společnost Lexmark International, Inc. tímto prohlašuje, že výrobek tento výrobek je ve shodě se základními požadavky a dalšími příslušnými ustanoveními směrnice 1999/5/ES. |
| Dansk | Lexmark International, Inc. erklærer herved, at dette produkt overholder de væsentlige krav og øvrige relevante krav i direktiv 1999/5/EF. |

| | |
|------------|--|
| Deutsch | Hiermit erklärt Lexmark International, Inc., dass sich das Gerät dieses Gerät in Übereinstimmung mit den grundlegenden Anforderungen und den übrigen einschlägigen Bestimmungen der Richtlinie 1999/5/EG befindet. |
| Ελληνική | ΜΕ ΤΗΝ ΠΑΡΟΥΣΑ Η LEXMARK INTERNATIONAL, INC. ΔΗΛΩΝΕΙ ΟΤΙ ΑΥΤΟ ΤΟ ΠΡΟΪΟΝ ΣΥΜΜΟΡΦΩΝΕΤΑΙ ΠΡΟΣ ΤΙΣ ΟΥΣΙΩΔΕΙΣ ΑΠΑΙΤΗΣΕΙΣ ΚΑΙ ΤΙΣ ΛΟΙΠΕΣ ΣΧΕΤΙΚΕΣ ΔΙΑΤΑΞΕΙΣ ΤΗΣ ΟΔΗΓΙΑΣ 1999/5/ΕΚ. |
| English | Hereby, Lexmark International, Inc., declares that this type of equipment is in compliance with the essential requirements and other relevant provisions of Directive 1999/5/EC. |
| Español | Por medio de la presente, Lexmark International, Inc. declara que este producto cumple con los requisitos esenciales y cualesquiera otras disposiciones aplicables o exigibles de la Directiva 1999/5/CE. |
| Eesti | Käesolevaga kinnitab Lexmark International, Inc., et seade see toode vastab direktiivi 1999/5/EÜ põhinõuetele ja nimetatud direktiivist tulenevatele muudele asjakohastele sätetele. |
| Suomi | Lexmark International, Inc. vakuuttaa täten, että tämä tuote on direktiivin 1999/5/EY oleellisten vaatimusten ja muiden sitä koskevien direktiivin ehtojen mukainen. |
| Français | Par la présente, Lexmark International, Inc. déclare que l'appareil ce produit est conforme aux exigences fondamentales et autres dispositions pertinentes de la directive 1999/5/CE. |
| Magyar | Alulírott, Lexmark International, Inc. nyilatkozom, hogy a termék megfelel a vonatkozó alapvető követelményeknek és az 1999/5/EC irányelv egyéb előírásainak. |
| Íslenska | Hér með lýsir Lexmark International, Inc. yfir því að þessi vara er í samræmi við grunnkröfur og aðrar kröfur, sem gerðar eru í tilskipun 1999/5/EC. |
| Italiano | Con la presente Lexmark International, Inc. dichiara che questo prodotto è conforme ai requisiti essenziali ed alle altre disposizioni pertinenti stabilite dalla direttiva 1999/5/CE. |
| Latviski | Ar šo Lexmark International, Inc. deklarē, ka šis izstrādājums atbilst Direktīvas 1999/5/EK būtiskajām prasībām un citiem ar to saistītajiem noteikumiem. |
| Lietuvių | Šiuo Lexmark International, Inc. deklaruoją, kad šis produktas atitinka esminius reikalavimus ir kitas 1999/5/EB direktyvos nuostatas. |
| Malti | Bil-preżenti, Lexmark International, Inc., jiddikjara li dan il-prodott huwa konformi mal-htigijiet essenzjali u ma dispożizzjonijiet oħrajn relevanti li jinsabu fid-Direttiva 1999/5/KE. |
| Nederlands | Hierbij verklaart Lexmark International, Inc. dat het toestel dit product in overeenstemming is met de essentiële eisen en de andere relevante bepalingen van richtlijn 1999/5/EG. |
| Norsk | Lexmark International, Inc. erklærer herved at dette produktet er i samsvar med de grunnleggende krav og øvrige relevante krav i direktiv 1999/5/EF. |
| Polski | Niniejszym Lexmark International, Inc. oświadcza, że niniejszy produkt jest zgodny z zasadniczymi wymogami oraz pozostałymi stosownymi postanowieniami Dyrektywy 1999/5/EC. |
| Português | A Lexmark International Inc. declara que este este produto está conforme com os requisitos essenciais e outras disposições da Diretiva 1999/5/CE. |
| Slovensky | Lexmark International, Inc. týmto vyhlasuje, že tento produkt spĺňa základné požiadavky a všetky príslušné ustanovenia smernice 1999/5/ES. |
| Slovensko | Lexmark International, Inc. izjavlja, da je ta izdelek v skladu z bistvenimi zahtevami in ostalimi relevantnimi določili direktive 1999/5/ES. |
| Svenska | Härmed intygar Lexmark International, Inc. att denna produkt står i överensstämmelse med de väsentliga egenskapskrav och övriga relevanta bestämmelser som framgår av direktiv 1999/5/EG. |

STATEMENT OF LIMITED WARRANTY FOR LEXMARK LASER PRINTERS, LEXMARK LED PRINTERS, AND LEXMARK MULTIFUNCTION LASER PRINTERS

Lexmark International, Inc., Lexington, KY

This limited warranty applies to the United States and Canada. For customers outside the U.S., refer to the country-specific warranty information that came with your product.

This limited warranty applies to this product only if it was originally purchased for your use, and not for resale, from Lexmark or a Lexmark Remarketer, referred to in this statement as "Remarketer."

Limited warranty

Lexmark warrants that this product:

- Is manufactured from new parts, or new and serviceable used parts, which perform like new parts
- Is, during normal use, free from defects in material and workmanship

If this product does not function as warranted during the warranty period, contact a Remarketer or Lexmark for repair or replacement (at Lexmark's option).

If this product is a feature or option, this statement applies only when that feature or option is used with the product for which it was intended. To obtain warranty service, you may be required to present the feature or option with the product.

If you transfer this product to another user, warranty service under the terms of this statement is available to that user for the remainder of the warranty period. You should transfer proof of original purchase and this statement to that user.

Limited warranty service

The warranty period starts on the date of original purchase as shown on the purchase receipt and ends 12 months later provided that the warranty period for any supplies and for any maintenance items included with the printer shall end earlier if it, or its original contents, are substantially used up, depleted, or consumed. Fuser Units, Transfer/Transport Units, Paper Feed items, if any, and any other items for which a Maintenance Kit is available are substantially consumed when the printer displays a "Life Warning" or "Scheduled Maintenance" message for such item.

To obtain warranty service you may be required to present proof of original purchase. You may be required to deliver your product to the Remarketer or Lexmark, or ship it prepaid and suitably packaged to a Lexmark designated location. You are responsible for loss of, or damage to, a product in transit to the Remarketer or the Lexmark designated location.

When warranty service involves the exchange of a product or part, the item replaced becomes the property of the Remarketer or Lexmark. The replacement may be a new or repaired item.

The replacement item assumes the remaining warranty period of the original product.

Replacement is not available to you if the product you present for exchange is defaced, altered, in need of a repair not included in warranty service, damaged beyond repair, or if the product is not free of all legal obligations, restrictions, liens, and encumbrances.

As part of your warranty service and/or replacement, Lexmark may update the firmware in your printer to the latest version. Firmware updates may modify printer settings and cause counterfeit and/or unauthorized products, supplies, parts, materials (such as toners and inks), software, or interfaces to stop working. Authorized use of genuine Lexmark products will not be impacted.

Before you present this product for warranty service, remove all print cartridges, programs, data, and removable storage media (unless directed otherwise by Lexmark).

For further explanation of your warranty alternatives and the nearest Lexmark authorized servicer in your area contact Lexmark on the World Wide Web.

Remote technical support is provided for this product throughout its warranty period. For products no longer covered by a Lexmark warranty, technical support may not be available or only be available for a fee.

Extent of limited warranty

Lexmark does not warrant uninterrupted or error-free operation of any product or the durability or longevity of prints produced by any product.

Warranty service does not include repair of failures caused by:

- Modification or unauthorized attachments
- Accidents, misuse, abuse or use inconsistent with Lexmark user's guides, manuals, instructions or guidance
- Unsuitable physical or operating environment
- Maintenance by anyone other than Lexmark or a Lexmark authorized servicer
- Operation of a product beyond the limit of its duty cycle
- Use of printing media outside of Lexmark specifications
- Refurbishment, repair, refilling or remanufacture by a third party of products, supplies or parts
- Products, supplies, parts, materials (such as toners and inks), software, or interfaces not furnished by Lexmark

TO THE EXTENT PERMITTED BY APPLICABLE LAW, NEITHER LEXMARK NOR ITS THIRD PARTY SUPPLIERS OR REMARKETERS MAKE ANY OTHER WARRANTY OR CONDITION OF ANY KIND, WHETHER EXPRESS OR IMPLIED, WITH RESPECT TO THIS PRODUCT, AND SPECIFICALLY DISCLAIM THE IMPLIED WARRANTIES OR CONDITIONS OF MERCHANTABILITY, FITNESS FOR A PARTICULAR PURPOSE, AND SATISFACTORY QUALITY. ANY WARRANTIES THAT MAY NOT BE DISCLAIMED UNDER APPLICABLE LAW ARE LIMITED IN DURATION TO THE WARRANTY PERIOD. NO WARRANTIES, EXPRESS OR IMPLIED, WILL APPLY AFTER THIS PERIOD. ALL INFORMATION, SPECIFICATIONS, PRICES, AND SERVICES ARE SUBJECT TO CHANGE AT ANY TIME WITHOUT NOTICE.

Limitation of liability

Your sole remedy under this limited warranty is set forth in this document. For any claim concerning performance or nonperformance of Lexmark or a Remarketer for this product under this limited warranty, you may recover actual damages up to the limit set forth in the following paragraph.

Lexmark's liability for actual damages from any cause whatsoever will be limited to the amount you paid for the product that caused the damages. This limitation of liability will not apply to claims by you for bodily injury or damage to real property or tangible personal property for which Lexmark is legally liable. **IN NO EVENT WILL LEXMARK BE LIABLE FOR ANY LOST PROFITS, LOST SAVINGS, INCIDENTAL DAMAGE, OR OTHER ECONOMIC OR CONSEQUENTIAL DAMAGES.** This is true even if you advise Lexmark or a Remarketer of the possibility of such damages. Lexmark is not liable for any claim by you based on a third party claim.

This limitation of remedies also applies to claims against any Suppliers and Remarketers of Lexmark. Lexmark's and its Suppliers' and Remarketers' limitations of remedies are not cumulative. Such Suppliers and Remarketers are intended beneficiaries of this limitation.

Additional rights

Some states do not allow limitations on how long an implied warranty lasts, or do not allow the exclusion or limitation of incidental or consequential damages, so the limitations or exclusions contained above may not apply to you.

This limited warranty gives you specific legal rights. You may also have other rights that vary from state to state.

Patent acknowledgment

The use of this product or service is subject to the reasonable, non-discriminatory terms in the Intellectual Property Rights (IPR) Disclosure of Certicom Corp. at the IETF for Elliptic Curve Cryptography (ECC) Cipher Suites for Transport Layer Security (TLS) implemented in the product or service.

The use of this product or service is subject to the reasonable, non-discriminatory terms in the Intellectual Property Rights (IPR) Disclosure of Certicom Corp. at the IETF for TLS Elliptic Curve Cipher Suites with SHA-256/382 and AES Galois Counter Mode (GCM) implemented in the product or service.

The use of this product or service is subject to the reasonable, non-discriminatory terms in the Intellectual Property Rights (IPR) Disclosure of Certicom Corp. at the IETF for TLS Suite B Profile for Transport Layer Security (TLS) implemented in the product or service.

The use of this product or service is subject to the reasonable, non-discriminatory terms in the Intellectual Property Rights (IPR) Disclosure of Certicom Corp. at the IETF for Addition of the Camellia Cipher Suites to Transport Layer Security (TLS) implemented in the product or service.

The use of certain patents in this product or service is subject to the reasonable, non-discriminatory terms in the Intellectual Property Rights (IPR) Disclosure of Certicom Corp. at the IETF for AES-CCM ECC Cipher Suites for TLS implemented in the product or service.

The use of this product or service is subject to the reasonable, non-discriminatory terms in the Intellectual Property Rights (IPR) Disclosure of Certicom Corp. at the IETF for IKE and IKEv2 Authentication Using the Elliptic Curve Digital Signature Algorithm (ECDSA) implemented in the product or service.

The use of this product or service is subject to the reasonable, non-discriminatory terms in the Intellectual Property Rights (IPR) Disclosure of Certicom Corp. at the IETF for Suite B Cryptographic Suites for IPsec implemented in the product or service.

The use of this product or service is subject to the reasonable, non-discriminatory terms in the Intellectual Property Rights (IPR) Disclosure of Certicom Corp. at the IETF for Algorithms for Internet Key Exchange version 1 (IKEv1) implemented in the product or service.

Index

Numerics

1565 Emulation error, load emulation option 278
 2,000-sheet high-capacity feeder installing 45
 200 paper jam 251
 2000-sheet high-capacity feeder loading 72
 201 paper jam 251
 202–203 paper jams 252
 230 paper jam 253
 231–239 paper jams 254
 24x paper jam 254
 250 paper jam 255
 280–289 paper jam 256
 290–292 paper jams 257
 31.xx Missing or Defective [color] cartridge 270
 32.xx [color] cartridge part number unsupported by device 270
 34 Incorrect paper size, open [src] 270
 35 Insufficient memory to support Resource Save feature 270
 37 Insufficient memory for Flash Memory Defragment operation 271
 37 Insufficient memory to collate job 271
 37 Insufficient memory, some Held Jobs were deleted 271
 37 Insufficient memory, some held jobs will not be restored 271
 38 Memory full 271
 39 Complex page, some data may not have printed 271
 40 [color] invalid refill, change cartridge 271
 400–403 paper jams 257
 431–438 paper jams 258
 455 staple jam 258
 460–461 paper jams 257
 51 Defective flash detected 272
 52 Not enough free space in flash memory for resources 272
 53 Unformatted flash detected 272
 54 Network [x] software error 272
 54 Serial option [x] error 272

54 Standard network software error 272
 55 Unsupported option in slot [x] 273
 550-sheet tray installing 45
 550-sheet tray (standard or optional) loading 69
 56 Parallel port [x] disabled 273
 56 Serial port [x] disabled 273
 56 Standard parallel port disabled 273
 56 Standard USB port disabled 273
 56 USB port [x] disabled 273
 57 Configuration change, some held jobs were not restored 274
 58 Input config error 275
 58 Too many bins attached 274
 58 Too many disks installed 274
 58 Too many flash options installed 274
 58 Too many trays attached 274
 59 Incompatible output bin [x] 275
 61 Remove defective disk 275
 62 Disk full 275
 80.xx Fuser life warning 275
 80.xx Fuser missing 276
 80.xx Fuser near life warning 275
 80.xx Replace fuser 276
 82.xx Replace waste toner bottle 276
 82.xx Waste toner bottle missing 276
 82.xx Waste toner bottle nearly full 276
 83.xx Replace transfer module 276
 83.xx Transfer module life warning 276
 83.xx Transfer module missing 276
 840.01 Scanner disabled by admin 277
 840.02 Scanner disabled. Contact system administrator if problem persists. 277
 88.xx [Color] cartridge critically low 277
 88.xx [color] cartridge low 277

88.xx [color] cartridge nearly low 276

A

accessing the Embedded Web Server 20
 accessing the system board 27
 Active NIC menu 154
 adding a date and time stamp 103
 ADF
 copying using 96
 ADF kit
 ordering 239
 ADF parts
 cleaning 234
 Adjusting color 261
 adjusting copy quality 100
 adjusting Sleep Mode 64
 adjusting toner darkness 87
 administrator settings
 Embedded Web Server 246
 advanced options, touch-screen copy 106
 fax 126
 FTP 133
 AppleTalk menu 159
 assigning a custom paper type name 78
 attaching cables 46
 attaching the system board cover 27
 available internal options 25
 avoiding paper jams 249

B

Bin Setup menu 152
 black-and-white copying 98
 black-and-white printing 87
 blank pages 301
 blocking junk faxes 124
 buttons, printer control panel 14
 buttons, touch screen using 16

C

cables
 Ethernet 46

- USB 46
 - canceling
 - print job, from computer 94
 - canceling a print job
 - from a computer 94
 - from the printer control panel 94
 - cannot open Embedded Web Server 311
 - card stock
 - loading in multipurpose feeder 74
 - tips 92
 - Change [paper source] to [custom string] 262
 - Change [paper source] to [custom string] load [orientation] 262
 - Change [paper source] to [custom type name] 261
 - Change [paper source] to [custom type name] load [orientation] 262
 - Change [paper source] to [paper size] [paper type] 262
 - Change [paper source] to [paper size] [paper type] load [orientation] 262
 - checking an unresponsive printer 261
 - checking an unresponsive scanner 284
 - checking printer status
 - on Embedded Web Server 246
 - checking printer status using the Embedded Web Server 246
 - checking status of supplies 237
 - checking the status of supplies 237
 - checking the virtual display
 - using the Embedded Web Server 246
 - checking virtual display
 - using the Embedded Web Server 246
 - choosing a fax connection 116
 - cleaning
 - ADF parts 234
 - exterior of the printer 233
 - scanner glass 233
 - cleaning kit
 - ordering 239
 - cleaning the printhead lenses 236
 - Close [tray] door 263
 - Close finisher side door 263
 - Close finisher top cover 263
 - Close front door 263
 - Close left side door 263
 - Close paper transport cover 262
 - Close top access cover 263
 - collating copies 101
 - confidential print jobs 92
 - printing from a Macintosh computer 93
 - printing from Windows 93
 - Confidential Print menu 169
 - configuration information
 - wireless network 50
 - configurations
 - printer 11
 - Configure MP menu 144
 - configuring e-mail settings 108
 - configuring port settings 58
 - connecting printer to distinctive ring service 118
 - connecting the printer to
 - regional adapters 118
 - conservation settings
 - brightness, adjusting 65
 - Quiet Mode 63
 - Sleep Mode 64, 65
 - standard exit bin lighting 66
 - conserving supplies 62
 - contacting customer support 311
 - control panel, printer 14
 - copy quality
 - adjusting 100
 - copy screen
 - advanced options 106
 - options 104, 105, 106, 107, 132
 - Copy Settings menu 181
 - copy troubleshooting
 - copier does not respond 281
 - partial document or photo copies 283
 - poor copy quality 282
 - poor scanned image quality 285
 - scanner unit does not close 282
 - copying
 - adding a date and time stamp 103
 - adding an overlay message 103
 - adjusting quality 100
 - canceling a copy job 103, 104
 - collating copies 101
 - custom job (job build) 102
 - different paper sizes 99
 - enlarging 100
 - in black-and-white 98
 - multiple pages on one sheet 102
 - on both sides of the paper (duplexing) 99
 - on letterhead 97
 - on transparencies 97
 - photos 97
 - placing separator sheets between copies 101
 - quick copy 96
 - reducing 100
 - selecting a tray 98
 - to a different size 98
 - using the ADF 96
 - using the scanner glass (flatbed) 97
 - copying different paper sizes 99
 - copying multiple pages on one sheet 102
 - copying on both sides of the paper (duplexing) 99
 - copying on letterhead 97
 - copying on transparencies 97
 - copying photos 97
 - corrupted printer hard disk 263
 - creating a fax destination shortcut
 - using the Embedded Web Server 120
 - creating an FTP shortcut
 - using the Embedded Web Server 130
 - creating profiles
 - using the ScanBack Utility 135
 - Custom Bin Names menu 151
 - custom name
 - configuring 78
 - Custom Names menu 150
 - custom paper type name
 - creating 77
 - Custom Scan Sizes menu 151
 - Custom Type [x]
 - changing name 77
 - changing paper type 78
 - Custom Types menu 150
 - customer support
 - contacting 311
- D**
- date and time, fax
 - setting 119
 - daylight savings time, faxing 120
 - Default Source menu 141
 - different paper sizes, copying 99

- directory list
 - printing 94
- disk wiping 231
- Disk Wiping menu 169
- display troubleshooting
 - display is blank 278
 - display shows only diamonds 278
- display, printer control panel 14
 - adjusting brightness 65
- disposing of printer hard disk 230
- distinctive ring service, fax
 - connecting to 118
- documents, printing
 - from Macintosh 87
 - from Windows 87
- duplexing 99

E

- Eco-Mode setting 63
- Edit Security Setups menu 167
- Embedded Web Server
 - accessing 20, 246
 - administrator settings 246
 - checking printer status 246
 - checking supplies 237
 - creating a fax destination
 - shortcut 120
 - creating an FTP shortcut 130
 - creating e-mail shortcuts 109
 - functions 246
 - initial fax setup 115
 - networking settings 246
 - problem accessing 311
 - setting up e-mail alerts 247
 - using 246
- Embedded Web Server Administrator's Guide
 - where to find 246
- emission
- notices 314, 315, 318, 322, 323
- Empty the hole punch box 264
- encrypting the printer hard disk 232
- enlarging a copy 100
- envelopes
 - loading in multipurpose feeder 74
 - tips on using 91
- environmental settings
 - brightness, adjusting 65
 - conserving supplies 62
 - Hibernate Mode 65
 - Quiet Mode 63

- Sleep Mode 64
 - standard exit bin lighting 66
- erasing hard disk memory 231
- erasing non-volatile memory 231
- erasing volatile memory 230
- Ethernet network setup
 - using Macintosh 55
 - using Windows 55
- Ethernet networking
 - Macintosh 55
 - Windows 55
- Ethernet port 46
- exit bins
 - linking 77
- exporting a configuration
 - using the Embedded Web Server 21
- exporting a configuration using the Embedded Web Server 21
- exterior of the printer
 - cleaning 233
- e-mail
 - canceling 112
- e-mail alerts
 - low supply levels 247
 - paper jam 247
 - setting up 247
- e-mail function
 - setting up 108
- e-mail screen
 - advanced options 114
 - options 112, 113, 114
- E-mail Settings menu 198
- e-mail shortcuts, creating
 - using the Embedded Web Server 109
- e-mail, sending
 - using a shortcut number 110
 - using the address book 110
 - using the touch screen 110
- e-mailing
 - adding message line 111
 - adding subject line 111
 - changing output file type 111
 - configuring e-mail settings 108
 - creating shortcuts using the Embedded Web Server 109
 - creating shortcuts using the touch screen 109
 - setting up e-mail function 108
 - using a shortcut number 110
 - using the address book 110

- using the touch screen 110

F

- factory defaults
 - restoring 248
- FAQ about color printing 308
- fax and e-mail functions
 - setting up 286
- fax and e-mail functions are not set up 286
- fax connection
 - connecting the printer to the wall jack 116
 - connecting to a DSL line 117
 - connecting to a PBX or ISDN 117
- fax connections
 - regional adapters 118
- fax log
 - viewing 124
- Fax Mode (Analog Fax Setup) menu 187
- Fax Mode (Fax Server Setup) menu 196
- Fax partition inoperative. Contact system administrator. 264
- fax screen
 - advanced options 126
 - options 125, 126
- Fax server 'To Format' not set up. Contact system administrator. 264
- Fax Station Name not set up 264
- Fax Station Number not set up 264
- fax troubleshooting
 - caller ID is not shown 286
 - can receive but not send faxes 289
 - can send but not receive faxes 288
 - cannot send or receive a fax 287
 - received fax has poor print quality 289
- faxing
 - blocking junk faxes 124
 - canceling a fax job 124, 125
 - changing resolution 123
 - choosing a fax connection 116
 - configuring the printer to observe daylight saving time 120
 - creating shortcuts using the Embedded Web Server 120
 - creating shortcuts using the touch screen 121

- distinctive ring service 118
- fax setup 115
- forwarding faxes 127
- holding faxes 127
- making a fax lighter or darker 123
- sending a fax 121
- sending a fax at a scheduled time 123
- sending using the touch screen 121
- setting the date and time 119
- setting the fax number or station number 119
- setting the outgoing fax name or station name 119
- viewing a fax log 124
- FCC notices 314, 318, 322
- finding more information about the printer 9
- finding printer IP address 20
- finisher
 - finishing features 84
 - supported paper sizes 84
- finisher features 84
- Finishing menu 217
- firmware card
 - installing 32
- flash drive
 - printing from 88
- Flash Drive menu 208
- flash drives
 - supported file types 90
- flash memory card
 - installing 32
 - troubleshooting 292
- font sample list
 - printing 94
- Forms and Favorites
 - setting up 22
- forwarding faxes 127
- FTP
 - scanning using address book 130
- FTP address
 - creating shortcuts using the touch screen 131
- FTP screen
 - advanced options 133
 - options 131, 132, 133
- FTP Settings menu 204
- fuser or transfer module
 - ordering 238

G

- General Settings menu 172
- Green settings
 - Eco-Mode 63
 - Quiet Mode 63
- green settings
 - Hibernate Mode 65

H

- held jobs 92
 - printing from a Macintosh computer 93
 - printing from Windows 93
- Help menu 229
- Hibernate Mode
 - using 65
- hiding icons on the home screen 20
- holding faxes 127
- home screen
 - hiding icons 20
 - showing icons 20
- home screen buttons and icons
 - description 15
- HTML menu 227

I

- Image menu 228
- importing a configuration
 - using the Embedded Web Server 21
- importing a configuration using the Embedded Web Server 21
- initial fax setup 115
 - using the Embedded Web Server 115
- Insert hole punch box 265
- Insert staple cartridge 265
- Install bin [x] 265
- Install envelope feeder 265
- Install Tray [x] 265
- installing a memory card 30
- installing an Internal Solutions Port 34
- installing on a wireless network
 - using Windows 51
- installing options
 - order of installation 44
- installing printer
 - on wireless network 51
- installing printer hard disk 38

- installing printer on a network
 - Ethernet networking 55
- installing printer on a wireless network
 - using Macintosh 52
- installing printer software
 - adding options 49
- installing printer software (Windows) 48
- installing the 2,000-sheet high-capacity feeder 45
- installing the 550-sheet tray 45
- internal print server
 - troubleshooting 293
- Internal Solutions Port
 - changing port settings 58
 - installing 34
 - troubleshooting 292
- IP address, printer
 - finding 20
- IPv6 menu 158

J

- jams
 - avoiding 249
 - locating jam areas 249
 - locations 249
 - numbers 249
- jams, clearing
 - 200 paper jam 251
 - 201 paper jam 251
 - 202–203 paper jams 252
 - 230 paper jam 253
 - 231–239 paper jams 254
 - 24x paper jam 254
 - 250 paper jam 255
 - 280–289 paper jam 256
 - 280–299 234
 - 290–292 paper jams 257
 - 400–403 paper jams 257
 - 431–438 paper jams 258
 - 455 staple jam 258
 - 460–461 paper jams 257
- Job Accounting menu 216

L

- labels, paper
 - tips 91
- letterhead
 - copying on 97

- loading, 2000-sheet high-capacity feeder 72
- loading, multipurpose feeder 90
- loading, trays 90
- letterhead printing 90
- light colored line, white line, or incorrectly colored line appears on prints 298
- light, indicator 14
- linking
 - exit bins 77
- linking exit bins 77
- linking trays 76
- Load Manual Feeder with [custom string] 267
- Load Manual Feeder with [custom type name] 267
- Load Manual Feeder with [paper size] 267
- Load Manual Feeder with [paper type] [paper size] 267
- Load staples 267
- loading
 - 2000-sheet high-capacity feeder 72
 - 550-sheet tray (standard or optional) 69
 - letterhead in 2000-sheet high-capacity feeder 72
 - letterhead in multipurpose feeder 90
 - multipurpose feeder 74
- loading card stock
 - in multipurpose feeder 74
- loading envelopes
 - in multipurpose feeder 74
- loading the multipurpose feeder 74
- loading the standard tray 69
- loading transparencies
 - in multipurpose feeder 74
- lock, security 26

M

- making copies using paper from selected tray 98
- memory
 - types installed on printer 230
- memory card
 - installing 30
 - troubleshooting 293
- Memory full, cannot print faxes 267

- menu settings page printing 47
- menus
 - Active NIC 154
 - AppleTalk 159
 - Bin Setup 152
 - Confidential Print 169
 - Configure MP 144
 - Copy Settings 181
 - Custom Bin Names 151
 - Custom Names 150
 - Custom Scan Sizes 151
 - Custom Types 150
 - Default Source 141
 - diagram of 138
 - Disk Wiping 169
 - Edit Security Setups 167
 - E-mail Settings 198
 - Fax Mode (Analog Fax Setup) 187
 - Fax Mode (Fax Server Setup) 196
 - Finishing 217
 - Flash Drive 208
 - FTP Settings 204
 - General Settings 172
 - Help 229
 - HTML 227
 - Image 228
 - IPv6 158
 - Job Accounting 216
 - Miscellaneous 168
 - Network [x] 154
 - Network Card 156
 - Network Reports 156
 - Paper Loading 148
 - Paper Size/Type 141
 - Paper Texture 145
 - Paper Weight 147
 - Parallel [x] 162
 - PCL Emul 224
 - PDF 223
 - PostScript 224
 - Quality 219
 - Reports 153
 - Security Audit Log 170
 - Serial [x] 164
 - Set Date/Time 171
 - Setup 214
 - SMTP Setup menu 166
 - Standard Network 154
 - Standard USB 160
 - Substitute Size 145
 - Supplies 139

- TCP/IP 157
- Utilities 222
- Wireless 159
- XPS 223
- menus diagram 138
- Miscellaneous menu 168
- mobile device
 - printing from 88
- moving the printer 244, 245
- moving your printer 10
- multipurpose feeder
 - loading 74
- My MFP
 - setting up 23

N

- Network [x] menu 154
- Network Card menu 156
- network options 25
- Network Reports menu 156
- network settings
 - Embedded Web Server 246
- network setup page
 - printing 48
- Networking Guide
 - where to find 246
- noise emission levels 315
- non-volatile memory 230
 - erasing 231
- notices 313, 314, 315, 316, 317, 318, 319, 320, 321, 322, 323

O

- options
 - 2,000-sheet high-capacity feeder, installing 45
 - 550-sheet tray, installing 45
 - fax card 25
 - firmware card 32
 - firmware cards 25
 - flash memory card 32
 - Internal Solutions Port, installing 34
 - memory card, installing 30
 - memory cards 25
 - network 25
 - order of installation 44
 - ports 25
 - printer hard disk, installing 38
 - printer hard disk, removing 43
 - updating in printer driver 49

- options, touch-screen
 - copy 104, 105, 106, 107, 132
 - e-mail 112, 113, 114
 - fax 125, 126
 - FTP 131, 132, 133
 - scan 136
 - scan to computer 136, 137
- ordering
 - cleaning kit 239
 - fuser or transfer module 238
 - print cartridges 238
 - staple cartridges 239
 - waste toner bottle 239
- ordering a print cartridge 238
- output file type
 - changing 111
- P**
- paper
 - characteristics 79
 - different sizes, copying 99
 - letterhead 80
 - preprinted forms 80
 - recycled 80
 - saving 102
 - selecting 80
 - storing 82
 - unacceptable 80
 - Universal Paper Size 151
 - Universal size setting 68
 - using recycled 62
- paper feed troubleshooting
 - message remains after jam is cleared 294
- paper jams
 - avoiding 249
- paper jams, clearing
 - 200 paper jam 251
 - 201 paper jam 251
 - 202–203 paper jams 252
 - 230 paper jam 253
 - 231–239 paper jams 254
 - 24x paper jam 254
 - 250 paper jam 255
 - 280–289 paper jam 256
 - 280–299 234
 - 290–292 paper jams 257
 - 400–403 paper jams 257
 - 431–438 paper jams 258
 - 460–461 paper jams 257
- Paper Loading menu 148
- paper size
 - setting 68
- Paper Size/Type menu 141
- paper sizes
 - supported by printer 82
- Paper Texture menu 145
- paper type
 - setting 68
- paper types
 - duplex support 84
 - supported by printer 84
 - where to load 84
- Paper Weight menu 147
- Parallel [x] menu 162
- PCL Emul menu 224
- PDF menu 223
- photos
 - copying 97
- placing separator sheets between copies 101
- port settings
 - configuring 58
- PostScript menu 224
- print cartridge
 - replacing 240
- print cartridges
 - ordering 238
- print irregularities 299
- print job
 - canceling, from computer 94
- print quality
 - cleaning the ADF parts 234
 - cleaning the printhead lenses 236
 - cleaning the scanner glass 233
 - print quality troubleshooting
 - black streaks on a page 304
 - blank pages 301
 - characters have jagged edges 295
 - clipped images 295
 - fine horizontal lines 295
 - gray background on prints 297
 - light colored line, white line, or incorrectly colored line appears on prints 298
 - poor transparency quality 307
 - print irregularities 299
 - print is too dark 300
 - print is too light 300
 - repeating print defects 302
 - shadow images appear on prints 296
 - skewed print 303
 - solid color or black pages appear on prints 303
 - streaked horizontal lines appear on prints 305
 - streaked vertical lines 305
 - toner fog or background shading 306
 - toner rubs off 306
 - toner specks 307
 - uneven print density 308
 - white streaks on a page 304
- print troubleshooting
 - error reading flash drive 278
 - held jobs do not print 279
 - incorrect characters print 280
 - incorrect margins 297
 - jammed pages are not reprinted 294
 - job prints from wrong tray 280
 - job prints on wrong paper 280
 - jobs do not print 278
 - Large jobs do not collate 281
 - multiple-language PDF files do not print 278
 - paper curl 298
 - paper frequently jams 294
 - print job takes longer than expected 280
 - tray linking does not work 280
 - unexpected page breaks occur 281
- printer
 - configurations 11
 - finishing features 84
 - minimum clearances 10
 - moving 10, 244, 245
 - selecting a location 10
 - shipping 245
- printer configurations 11
- printer control panel 14
 - adjusting brightness 65
 - factory defaults, restoring 248
- printer hard disk
 - disposing of 230
 - encrypting 232
 - installing 38
 - removing 43
 - troubleshooting 292
 - wiping 231
- printer hard disk encryption 232
- printer hard disk memory
 - erasing 231

- printer information
 - where to find 9
- printer IP address
 - finding 20
- printer messages
 - 1565 Emulation error, load emulation option 278
 - 31.xx Missing or Defective [color] cartridge 270
 - 32.xx [color] cartridge part number unsupported by device 270
 - 34 Incorrect paper size, open [src] 270
 - 35 Insufficient memory to support Resource Save feature 270
 - 37 Insufficient memory for Flash Memory Defragment operation 271
 - 37 Insufficient memory to collate job 271
 - 37 Insufficient memory, some Held Jobs were deleted 271
 - 37 Insufficient memory, some held jobs will not be restored 271
 - 38 Memory full 271
 - 39 Complex page, some data may not have printed 271
 - 40 [color] invalid refill, change cartridge 271
 - 51 Defective flash detected 272
 - 52 Not enough free space in flash memory for resources 272
 - 53 Unformatted flash detected 272
 - 54 Network [x] software error 272
 - 54 Serial option [x] error 272
 - 54 Standard network software error 272
 - 55 Unsupported option in slot [x] 273
 - 56 Parallel port [x] disabled 273
 - 56 Serial port [x] disabled 273
 - 56 Standard parallel port disabled 273
 - 56 Standard USB port disabled 273
 - 56 USB port [x] disabled 273
 - 57 Configuration change, some held jobs were not restored 274
 - 58 Input config error 275
 - 58 Too many bins attached 274
 - 58 Too many disks installed 274
 - 58 Too many flash options installed 274
 - 58 Too many trays attached 274
 - 59 Incompatible output bin [x] 275
 - 61 Remove defective disk 275
 - 62 Disk full 275
 - 80.xx Fuser life warning 275
 - 80.xx Fuser missing 276
 - 80.xx Fuser near life warning 275
 - 80.xx Replace fuser 276
 - 82.xx Replace waste toner bottle 276
 - 82.xx Waste toner bottle missing 276
 - 82.xx Waste toner bottle nearly full 276
 - 83.xx Replace transfer module 276
 - 83.xx Transfer module life warning 276
 - 83.xx Transfer module missing 276
 - 840.01 Scanner disabled by admin 277
 - 840.02 Scanner disabled. Contact system administrator if problem persists. 277
 - 88.xx [Color] cartridge critically low 277
 - 88.xx [color] cartridge low 277
 - 88.xx [color] cartridge nearly low 276
- Adjusting color 261
- an error has occurred with the USB drive 261
- Change [paper source] to [custom string] 262
- Change [paper source] to [custom string] load [orientation] 262
- Change [paper source] to [custom type name] 261
- Change [paper source] to [custom type name] load [orientation] 262
- Change [paper source] to [paper size] [paper type] 262
- Change [paper source] to [paper size] [paper type] load [orientation] 262
- Close [tray] door 263
- Close finisher side door 263
- Close finisher top cover 263
- Close front door 263
- Close left side door 263
- Close paper transport cover 262
- Close top access cover 263
- Disk corrupted 263
- Disk near full. Securely clearing disk space. 263
- Disk problem 263
- Empty the hole punch box 264
- Fax partition inoperative. Contact system administrator. 264
- Fax server 'To Format' not set up. Contact system administrator. 264
- Fax Station Name not set up 264
- Fax Station Number not set up 264
- Insert hole punch box 265
- Insert staple cartridge 265
- Insert Tray [x] 265
- Install bin [x] 265
- Install envelope feeder 265
- Install Tray [x] 265
- Load [src] with [custom string] 266
- Load [src] with [custom type name] 266
- Load [src] with [size] 266
- Load [src] with [type] [size] 266
- Load Manual Feeder with [custom string] 267
- Load Manual Feeder with [custom type name] 267
- Load Manual Feeder with [paper size] 267
- Load Manual Feeder with [paper type] [paper size] 267
- Load staples 267
- Memory full, cannot print faxes 267
- Reattach bin [x] 268
- Reattach bin [x] – [y] 268
- Remove packaging material, [area name] 269
- Remove paper from [linked set bin name] 269
- Remove paper from all bins 269
- Remove paper from bin [x] 269
- Remove paper from standard output bin 269

- Restore held jobs? 269
 - Scanner automatic feeder cover
 - open 269
 - Slide finisher to the left 269
 - Some held jobs were not restored 269
 - Supply needed to complete job 269
 - Tray [x] paper size
 - unsupported 270
 - Unsupported disk 270
 - Unsupported USB device, please remove 264
 - printer options troubleshooting
 - 2,000-sheet drawer problems 292
 - cannot detect flash memory card 292
 - cannot detect printer hard disk 292
 - internal print server 293
 - Internal Solutions Port 292
 - memory card 293
 - option does not work 291
 - paper tray problems 291
 - USB/parallel interface card 293
 - printer problems, solving basic 261
 - printer software, installing (Windows) 48
 - printhead lenses
 - cleaning 236
 - printing
 - black-and-white 87
 - canceling, from the printer control panel 94
 - directory list 94
 - font sample list 94
 - from a mobile device 88
 - from flash drive 88
 - from Macintosh 87
 - from Windows 87
 - menu settings page 47
 - network setup page 48
 - on letterhead 90
 - printing a directory list 94
 - printing a document 87
 - printing a font sample list 94
 - printing a menu settings page 47
 - printing a network setup page 48
 - printing confidential and other held jobs
 - from a Macintosh computer 93
 - from Windows 93
 - printing from a flash drive 88
 - printing from a mobile device 88
 - printing in black and white 87
 - printing on letterhead 90
 - publications
 - where to find 9
- Q**
- Quality menu 219
 - Quiet Mode
 - print quality troubleshooting 295
- R**
- Reattach bin [x] 268
 - Reattach bin [x] – [y] 268
 - reattaching the system board cover 27
 - recycled paper
 - using 62, 80
 - recycling
 - Lexmark packaging 67
 - Lexmark products 66
 - toner cartridges 67
 - reducing a copy 100
 - reducing printer noise 63
 - Remote Operator Panel
 - setting up 23
 - Remove packaging material, [area name] 269
 - Remove paper from [linked set bin name] 269
 - Remove paper from all bins 269
 - Remove paper from bin [x] 269
 - Remove paper from standard output bin 269
 - removing printer hard disk 43
 - repeat print jobs 92
 - printing from a Macintosh computer 93
 - printing from Windows 93
 - repeating print defects 302
 - replacing a print cartridge 240
 - replacing the waste toner bottle 243
 - reports
 - viewing 247
 - Reports menu 153
 - reserve print jobs 92
 - printing from a Macintosh computer 93
 - printing from Windows 93
- resolution, fax
 - changing 123
- Restore held jobs? 269
 - restoring factory default settings 248
- S**
- safety information 7, 8
 - saving paper 102
 - scan screen
 - options 136
 - scan to computer
 - advanced options, setting 137
 - options 136, 137
 - original size 136
 - paper orientation, setting 137
 - Scan to Network
 - setting up 22
 - scan troubleshooting
 - cannot scan from a computer 286
 - partial document or photo scans 285
 - scan was not successful 284
 - scanner unit does not close 282
 - scanning takes too long or freezes the computer 284
 - ScanBack Utility
 - using 135
 - scanner
 - Automatic Document Feeder (ADF) 13
 - functions 12
 - scanner glass 13
 - Scanner automatic feeder cover
 - open 269
 - scanner glass
 - cleaning 233
 - scanner glass (flatbed)
 - copying using 97
 - scanning
 - from a flash drive 135
 - quick copy 96
 - to a computer 134
 - to an FTP address 129
 - to an FTP, using address book 130
 - scanning to a computer 134
 - scanning to a flash drive 135
 - scanning to an FTP address
 - creating shortcuts using the computer 130
 - using shortcut numbers 129
 - using the address book 130

- using the touch screen 129
 - Security Audit Log menu 170
 - security lock 26
 - sending a fax 121
 - sending a fax using shortcuts 122
 - sending a fax using the touch screen 121
 - sending fax
 - using shortcuts 122
 - using the address book 122
 - sending fax at a scheduled time 123
 - sending fax using the address book 122
 - Serial [x] menu 164
 - serial printing
 - setting up 59
 - Set Date/Time menu 171
 - setting
 - TCP/IP address 157
 - setting the fax number or station number 119
 - setting the outgoing fax name or station name 119
 - setting the paper size 68
 - setting the paper type 68
 - setting the Universal paper size 68
 - setting up e-mail alerts using the Embedded Web Server 247
 - setting up fax and e-mail functions 286
 - setting up serial printing 59
 - setting up the printer
 - on an Ethernet network (Macintosh only) 55
 - on an Ethernet network (Windows only) 55
 - Setup menu 214
 - shadow images appear on prints 296
 - shipping the printer 245
 - shortcuts, creating
 - e-mail 109
 - fax destination 120, 121
 - FTP address 131
 - FTP destination 130
 - showing icons on the home screen 20
 - Sleep Mode
 - adjusting 64
 - Slide finisher to the left 269
 - SMTP Setup menu 166
 - solid color or black pages appear on prints 303
 - Some held jobs were not restored 269
 - standard exit bin
 - lighting, setting 66
 - Standard Network menu 154
 - standard tray
 - loading 69
 - Standard USB menu 160
 - staple cartridges
 - ordering 239
 - staple jam, clearing
 - 455 staple jam 258
 - statement of volatility 230
 - status of supplies
 - checking 237
 - storing
 - paper 82
 - supplies 237
 - storing print jobs 92
 - streaked horizontal lines appear on prints 305
 - streaks appear on a page 304
 - subject and message information
 - adding to e-mail 111
 - Substitute Size menu 145
 - supplies
 - checking status 237
 - checking, from printer control panel 237
 - checking, using the Embedded Web Server 237
 - conserving 62
 - storing 237
 - using recycled paper 62
 - Supplies menu 139
 - supplies, ordering
 - ADF kit 239
 - cleaning kit 239
 - fuser or transfer module 238
 - print cartridges 238
 - staple cartridges 239
 - waste toner bottle 239
 - Supply needed to complete job 269
 - supported flash drives 90
 - supported paper sizes 82
 - supported paper types and weights 84
 - system board
 - accessing 27
 - system board cover
 - attaching 27
 - reattaching 27
- ## T
- TCP/IP menu 157
 - telecommunication notices 318, 319, 320, 321
 - tips
 - card stock 92
 - labels, paper 91
 - on using envelopes 91
 - on using letterhead 90
 - on using transparencies 91
 - tips on using envelopes 91
 - tips on using letterhead 90
 - toner cartridges
 - recycling 67
 - toner darkness
 - adjusting 87
 - touch screen
 - buttons 16
 - transparencies
 - copying on 97
 - loading 91
 - loading in multipurpose feeder 74
 - tips on using 91
 - using 91
 - Tray [x] paper size unsupported 270
 - tray linking
 - assigning a custom paper type name 78
 - tray unlinking
 - assigning a custom paper type name 78
 - trays
 - linking 76
 - unlinking 77
 - troubleshooting
 - an application error has occurred 290
 - cannot open Embedded Web Server 311
 - checking an unresponsive printer 261
 - checking an unresponsive scanner 284
 - FAQ about color printing 308
 - fax and e-mail functions are not set up 286
 - Scan to Network 290

- solving basic printer problems 261
 - troubleshooting, copy
 - copier does not respond 281
 - partial document or photo copies 283
 - poor copy quality 282
 - poor scanned image quality 285
 - scanner unit does not close 282
 - troubleshooting, display
 - display is blank 278
 - display shows only diamonds 278
 - troubleshooting, fax
 - caller ID is not shown 286
 - can receive but not send faxes 289
 - can send but not receive faxes 288
 - cannot send or receive a fax 287
 - received fax has poor print quality 289
 - troubleshooting, paper feed
 - message remains after jam is cleared 294
 - troubleshooting, print
 - error reading flash drive 278
 - held jobs do not print 279
 - incorrect characters print 280
 - incorrect margins 297
 - jammed pages are not reprinted 294
 - job prints from wrong tray 280
 - job prints on wrong paper 280
 - jobs do not print 278
 - Large jobs do not collate 281
 - multiple-language PDF files do not print 278
 - paper curl 298
 - paper frequently jams 294
 - print job takes longer than expected 280
 - tray linking does not work 280
 - unexpected page breaks occur 281
 - troubleshooting, print quality
 - black streaks on a page 304
 - blank pages 301
 - characters have jagged edges 295
 - clipped images 295
 - fine horizontal lines 295
 - gray background on prints 297
 - light colored line, white line, or incorrectly colored line appears on prints 298
 - poor transparency quality 307
 - print irregularities 299
 - print is too dark 300
 - print is too light 300
 - repeating print defects 302
 - shadow images appear on prints 296
 - skewed print 303
 - solid color or black pages appear on prints 303
 - streaked horizontal lines appear on prints 305
 - streaked vertical lines 305
 - toner fog or background shading 306
 - toner rubs off 306
 - toner specks 307
 - uneven print density 308
 - white streaks on a page 304
 - troubleshooting, printer options
 - 2,000-sheet drawer problems 292
 - cannot detect flash memory card 292
 - cannot detect printer hard disk 292
 - internal print server 293
 - Internal Solutions Port 292
 - memory card 293
 - option does not work 291
 - paper tray problems 291
 - USB/parallel interface card 293
 - troubleshooting, scan
 - cannot scan from a computer 286
 - partial document or photo scans 285
 - scan was not successful 284
 - scanner unit does not close 282
 - scanning takes too long or freezes the computer 284
 - U**
 - understanding the home screen buttons and icons 15
 - uneven print density 308
 - Universal Paper Size 151
 - setting 68
 - Universal Setup menu 151
 - unlinking trays 77
 - Unsupported USB device, please remove 264
 - updating options in printer driver 49
 - USB port 46
 - USB/parallel interface card
 - troubleshooting 293
 - using Eco-Mode 63
 - using Hibernate Mode 65
 - using Quiet Mode 63
 - using recycled paper 62
 - using shortcuts
 - sending fax 122
 - using the address book 110
 - sending fax 122
 - using the Embedded Web Server 246
 - using the ScanBack Utility 135
 - using the touch-screen buttons 16
 - Utilities menu 222
- V**
- verify print jobs 92
 - printing from a Macintosh computer 93
 - printing from Windows 93
 - viewing
 - reports 247
 - viewing a fax log 124
 - virtual display
 - checking, using Embedded Web Server 246
 - volatile memory 230
 - erasing 230
 - volatility
 - statement of 230
- W**
- waste toner bottle
 - ordering 239
 - replacing 243
 - wiping the printer hard disk 231
 - Wireless menu 159
 - wireless network
 - configuration information 50
 - installation, using Macintosh 52
 - installation, using Windows 51
 - wireless network setup
 - in Windows 51
 - wireless printer setup
 - in Macintosh 52

WS-Scan
about 23

X

XPS menu 223